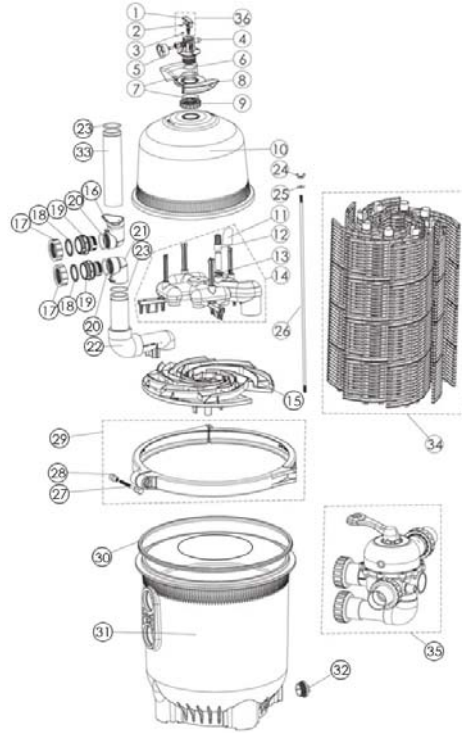


Parts of ICF Series Models: IDE36/IDE48/IDE60/IDE72

[Back to Table of Content](#)



Key No.	POOLSPA CODES	Part No.	Description	Piece(s) Required	Retail 2024
1	20520510145	550178232	Air release valve Handle	1	130.00
2	20520510150	111040077	O-ring d14.3x2.5	1	150.00
3	20520510155	111040078	O-ring d6x3.5	1	60.00
4	20520510160	550178233	Air Release valve	1	980.00
5	20520510165	117038519	Pressure gauge 60psi , plastic casing	1	980.00
6	20520510170	111040079	O-ring d50x5	1	110.00
7	20520510175	111000048	O-ring D76xd65.6x4.8	2	320.00
8	20520510180	430138225	Handle	1	790.00
9	20520510185	550058225	Handle nut	1	420.00
10	20520510195	550188173	IDE36 Upper body	1	4,200.00
10	20520510200	550188174	IDE48 Upper body	1	5,600.00
10	20520510205	550188175	IDE60 Upper body	1	7,600.00
10	20520510210	550188176	IDE72 Upper body	1	9,800.00
11	20440510040	178701	Filter bag	1	490.00
12	20520510215	4109000749	Air release vent	1	60.00
13	20440510025	108081847	Hose clamp 19-44mm	1	280.00
14	20440510095	E220101	Element upper holder for IDE36	1	1,520.00
14	20440510100	E220102	Element upper holder for IDE48	1	1,640.00
14	20440510105	E220103	Element upper holder for IDE60	1	1,640.00
14	20440510110	E220104	Element upper holder for IDE72	1	1,750.00
15	20440510045	5500010033	Element lower holder for IDE36-72	1	1,520.00
16	20520510230	550128230	Inlet adaptor	1	690.00
17	20520510075	430178159	Union Nut 2" 90	2	150.00
18	20520510085	111040071	O-ring D77Xd62X8	2	150.00
19	20520510235	430248177	Outer thread connector	2	470.00
20	20520510240	111040081	O-ring d63.5x5.3	2	150.00
21	20520510245	550128231	Outlet adaptor	1	620.00
22	20440510115	E220105	Elbow assemble	1	820.00

Key No.	POOLSPA CODES	Part No.	Description	Piece(s) Required	Retail 2024
23	20520510255	111040080	O-ring d50.5x2.5	2	110.00
24	20440510035	112303591	Wing nut	1	190.00
25	20440510030	112010174	Washer	1	90.00
26	20440510050	5900510060	Stainless Still Retainer Rod IDE36	1	870.00
26	20440510055	5900510061	Stainless Still Retainer Rod IDE48	1	1,150.00
26	20440510060	5900510062	Stainless Still Retainer Rod IDE60	1	1,420.00
26	20440510065	5900510063	Stainless Still Retainer Rod IDE72	1	1,420.00
27	20520510260	112000083	Screw 3/8in	1	1,400.00
28	20520510265	112030022	Nut 3/8in	1	490.00
29	20520510270	E140404	Ring clamp assemble Kit	1	14,900.00
30	20520510275	111000043	Rubber washer D526xd502x14	1	2,500.00
31	20520510280	550228177	Bottom Body	1	13,900.00
32	20520510095	E160553	Drain plug with O-ring	1	110.00
33	20440510005	1070410055	PVC Pipe 2inchx112mm for IDE36	1	270.00
33	20440510010	1070410056	PVC Pipe 2inchx264mm for IDE48	1	460.00
33	20440510015	1070410057	PVC Pipe 2inchx416mm for IDE60	1	600.00
33	20440510020	1070410058	PVC Pipe 2inchx568mm for IDE72	1	760.00
34	20440510075	92201001	Assembly set of IDE36 Element	1	refer to grid element price list
34	20440510080	92201002	Assembly set of IDE48 Element	1	
34	20440510085	92201003	Assembly set of IDE60 Element	1	
34	20440510090	92201004	Assembly set of IDE72 Element	1	
35	20440510070	91902540	IDE 6 way 2 inch multiple valve	1	refer to price list
36	20520510340	E140406	Air relief valve handle with O-rings	1	150.00