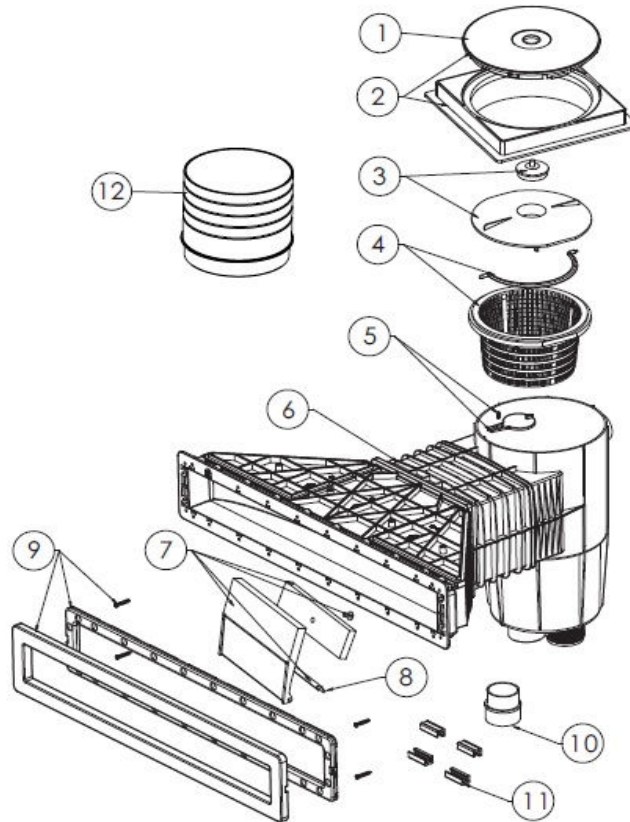


## Parts of EM0180TS-SC

[Back to Table of Content](#)



| KEY NO. | POOLSPA CODES | PARTNO.    | DESCRIPTIONS   | PIECE(S) REQUIRED | RETAIL PRICE 2024 |
|---------|---------------|------------|--|-------------------|-------------------|
| 1       | 21910510385   | 01050158   | circ ular skim mer lid   | 1                 | 500.00            |
| 2       | 21910510465   | 89150701   | sq uare lid and lid frame  | 1                 | 600.00            |
| 3       | 21910510470   | 89150702   | vac uum plate with plug  | 1                 | 300.00            |
| 4       | 21910510475   | 89150703   | skim mer ba ske t  | 1                 | 400.00            |
| 5       | 21910510480   | 89150704   | key hole flap  | 1                 | 100.00            |
| 6A      | 21910510555   | E161012    | EM0180-SC Skim mer body A+B included se alling plate                           | 1                 | -                 |
| 6A      | 21910510560   | E161013    | EM0180TS-SC Skim mer body A+B included se alling plate                         | 1                 | -                 |
| 6B      | 21910510495   | 01050167   | A body (Use rs glue Skim mer body A+B)   | 1                 | -                 |
| 6B      | 21910510565   | E161014    | B body EM0180-SC included se alling plate<br>(Use rs glue Skim mer body A+B)   | 1                 | -                 |
| 6B      | 21910510570   | E161015    | B body EM0180TS-SC included se alling plate<br>(Use rs glue Skim mer body A+B) | 1                 | -                 |
| 7       | 21910510510   | 89150713   | flap retaining clip  | 1                 | 450.00            |
| 8       | 21910510515   | 01181077   | hinge flap   | 1                 | 50.00             |
| 9       | 21910510575   | E161016    | EM0180-SC small skim mer frame   | 1                 | 500.00            |
| 9       | 21910510580   | E161017    | EM0180TS-SC small skim mer frame   | 1                 | 500.00            |
| 10      | 21910510160   | 01170009   | 1.5" Union Converter (from Me tric to Imperial)                                | 1                 | 200.00            |
| 11      | 21910510545   | 4101177365 | fixer  | 1                 | 50.00             |
| 12*     | 21910510550   | E160901    | Extens ion Collar  | 1                 | 400.00            |