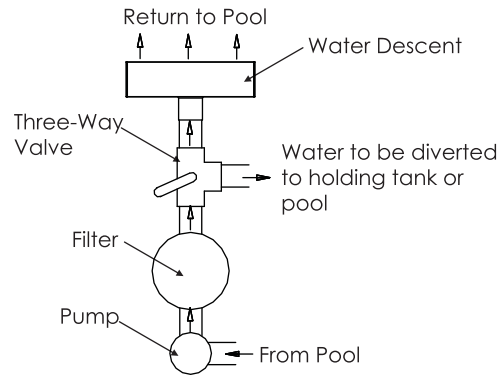
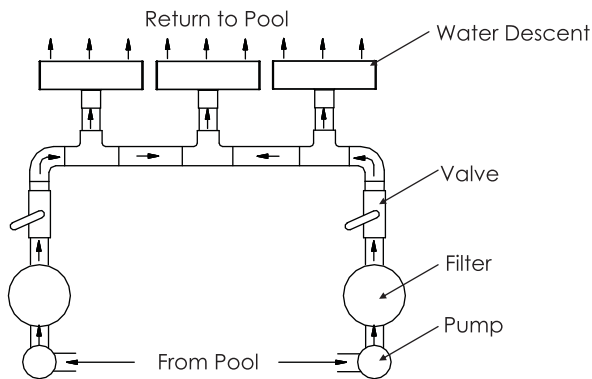
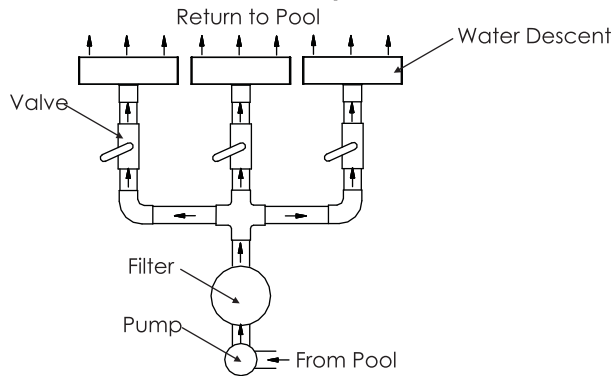


**INSTALLATION FOR PIPING SINGLE UNIT WITH BALL VALVE.**

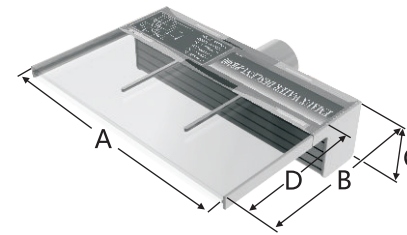


**MULTIPLE UNITS WITH BALL VALVE. ( IT IS BEST TO VALVE EACH UNIT)**



**Warning:** Only filtered water should be used with this product, otherwise clogging within the product may occur and cause leakage.

**WATER DESCENT**



**\* Read this manual carefully and keep this manual safe for future reference**

- Installation must be done in compliance to your local ordinances and national regulations
- Installation to be made by authorised personnel only ( E.G. licenced engineers, electrician and so on)
- Only filtered water should be used with this product, otherwise clogging within the product may occur and cause leakage.

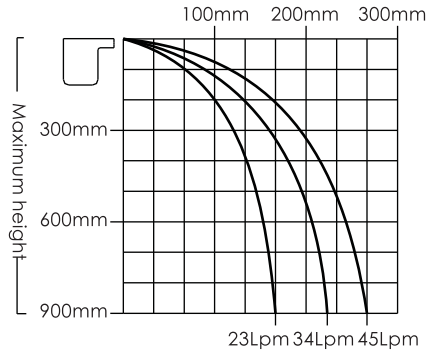
**DIMENSION**

CODE	MODEL NO.	A B C D				LED	TYPE OF WALL INSTALLATION
		(mm)					
88480101	PB300-25(L)	306	138	76	25	4W DC 12V	Existing wall
88480102	PB300-150(L)	306	263	76	150	4W DC 12V	New feature wall(brick)
88480103	PB300-230(L)	306	343	76	230	4W DC 12V	New feature wall(limestone)
88480111	PB600-25(L)	606	138	76	25	8W DC 12V	Existing wall
88480112	PB600-150(L)	606	263	76	150	8W DC 12V	New feature wall(brick)
88480113	PB600-230(L)	606	343	76	230	8W DC 12V	New feature wall(limestone)
88480121	PB900-25(L)	906	138	76	25	12W DC 12V	Existing wall
88480122	PB900-150(L)	906	263	76	150	12W DC 12V	New feature wall(brick)
88480123	PB900-230(L)	906	343	76	230	12W DC 12V	New feature wall(limestone)
88480131	PB1200-25(L)	1206	138	76	25	17W DC 12V	Existing wall
88480132	PB1200-150(L)	1206	263	76	150	17W DC 12V	New feature wall(brick)
88480133	PB1200-230(L)	1206	343	76	230	17W DC 12V	New feature wall(limestone)
88485001	PB300-25	306	138	76	25	/	Existing wall
88485002	PB300-150	306	263	76	150	/	New feature wall(brick)
88485003	PB300-230	306	343	76	230	/	New feature wall(limestone)
88485011	PB600-25	606	138	76	25	/	Existing wall
88485012	PB600-150	606	263	76	150	/	New feature wall(brick)
88485013	PB600-230	606	343	76	230	/	New feature wall(limestone)
88485021	PB900-25	906	138	76	25	/	Existing wall
88485022	PB900-150	906	263	76	150	/	New feature wall(brick)
88485023	PB900-230	906	343	76	230	/	New feature wall(limestone)
88485031	PB1200-25	1206	138	76	25	/	Existing wall
88485032	PB1200-150	1206	263	76	150	/	New feature wall(brick)
88485033	PB1200-230	1206	343	76	230	/	New feature wall(limestone)

\* Inlet size:1.5"/50mm

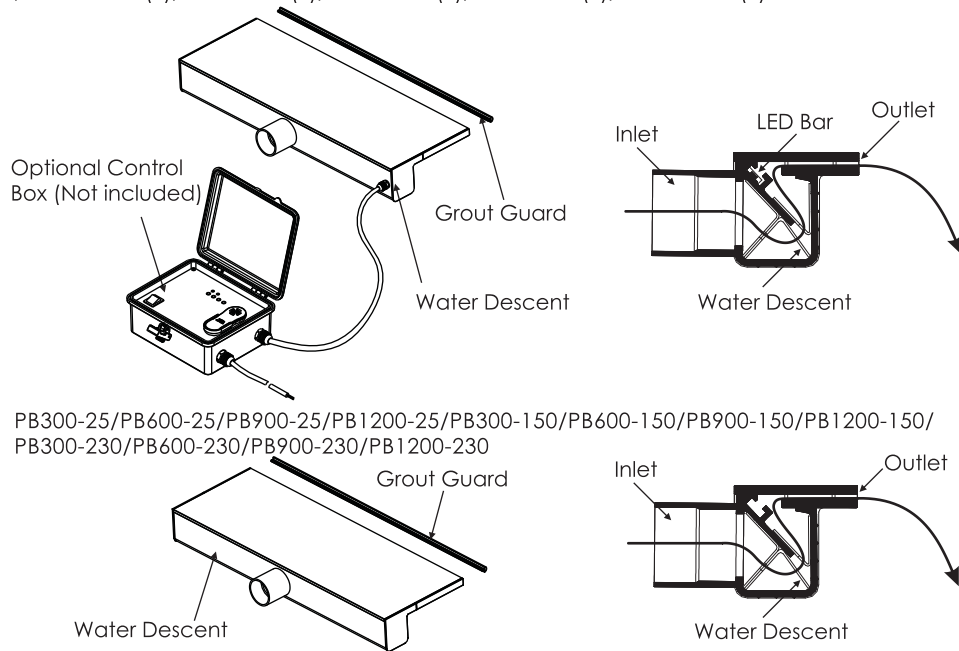
Emaux Water Descents were designed to cater a wide range of sizes to suit various wall lengths and widths. They are suited for existing and new feature wall installation. The "Clear Overflow" construction requires no painting or no special covering to the face of the feature wall as can be easily tucked away. The "Clear Overflow" allows it to blend to your feature wall regardless of composition. The Emaux Water Descent will provide you with peaceful and relaxing sound of a running waterfall.

**APPROXIMATE PROJECTION OF SHEET OF WATER PER 300MM OF WATERFALL LENGTH**



**SPECIFICATION**

PB300-25(L)/PB600-25(L)/PB900-25(L)/PB1200-25(L)/PB300-150(L)/PB600-150(L)/PB900-150(L)/PB1200-150(L)/PB300-230(L)/PB600-230(L)/PB900-230(L)/PB1200-230(L)



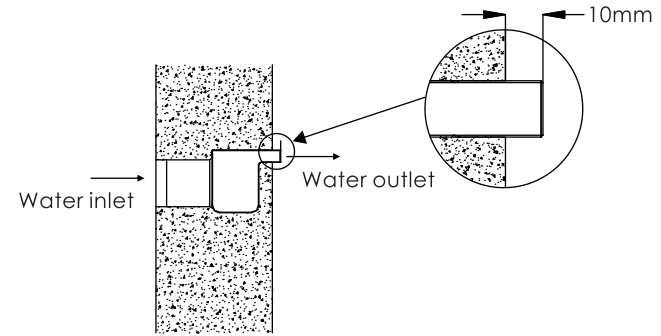
PB300-25/PB600-25/PB900-25/PB1200-25/PB300-150/PB600-150/PB900-150/PB1200-150/  
PB300-230/PB600-230/PB900-230/PB1200-230

**⚠ Important: Do not remove Grout Guard until the installation is complete  
Do not leave unit in direct sunlight for long periods of time**

**INSTALLATION FOR WATER DESCENT**

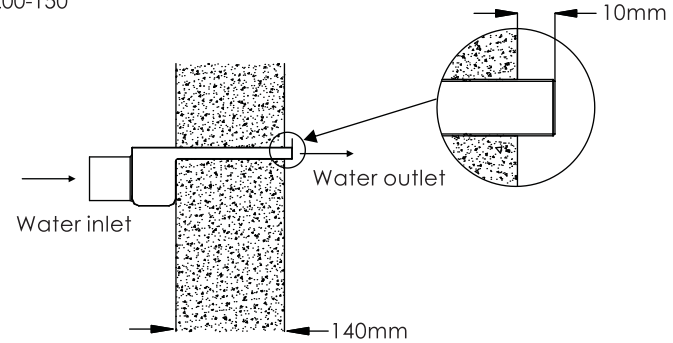
**EXISTING BUILT WALLS**

PB300-25(L)/PB600-25(L)/PB900-25(L)/PB1200-25(L)/PB300-25/PB600-25/PB900-25/PB1200-25



**SINGLE BRICK WALLS DURING CONSTRUCTION**

PB300-150(L)/PB600-150(L)/PB900-150(L)/PB1200-150(L)/PB300-150/PB600-150/PB900-150/  
PB1200-150



**LIMESTONE BLOCK WALLS DURING CONSTRUCTION**

PB300-230(L)/PB600-230(L)/PB900-230(L)/PB1200-230(L)/PB300-230/PB600-230/PB900-230/  
PB1200-230

