



AQUASTAREasy II

DATASHEET

AQUASTAR*easy* II



GENERAL

1. Automation of the 6-way valves of Praher Plastics Austria GmbH
2. A lifting and rotating actuator for PLC controls
3. For 1,5", 2" und 3" Valves
4. 24V AC/ DC and 100-265V AC
5. Easy to retrofit
6. Made for plc signals
7. Error-Handling integrated
8. Relays with gold contacts
9. Protection IP65
10. Emergency handle
11. Optical position indicator
12. Electric feedback for on position
13. Additional position CLOSED
14. Additional position Winter

APPLICATIONS

- Industrial, commercial and private use
- Car wash sites, industrial kitchen, pools, fish farming,...
- Integration in smart homes
- Integration in PLC's

TECHNICAL DATAS

Aquastar

<i>Voltage:</i>	24 V AC/DC
<i>Protection:</i>	IP 65
<i>Frequency:</i>	50/60 Hz /DC
<i>Rated operating current:</i>	100mA at 230V AC 200mA at 110V AC
<i>Max. Power:</i>	20VA
<i>Environmental conditions:</i>	0-40°C, 0-95%RH not condensing
<i>Max static pressure:</i>	0,3 Bar
<i>Max water column:</i>	3 m
<i>Relais Pumpe:</i> <i>Relais Kugelhahn:</i> <i>Multifunktionsrelais:</i>	8A at $\cos\varphi=1$ 8A at $\cos\varphi=1$ 3A at $\cos\varphi=1$
<i>Possible positions of Aquastar EasyII</i>	Filter, Backwash, Rinse, Recirculate, Waste

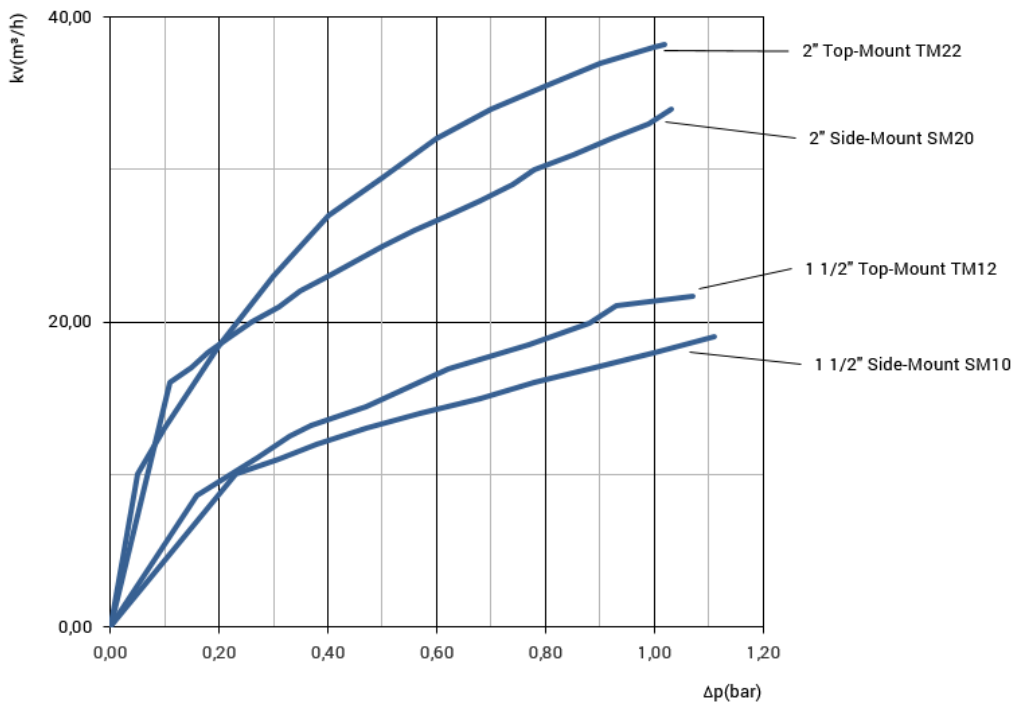
Praher Plastics 6-Way Valve

<i>Body material:</i>	1,5" – 2" 3"	ABS / ASA-GF ASA-GF
<i>Seals:</i>	TPE + NBR	
<i>Operating pressure:</i>	1,5" – 2"	ABS: 3,5 Bar (20°C) ASA-GF: 6,5 Bar (20°C)
<i>Maximum pressure when the valve plate is lifting</i>	0,3 Bar	

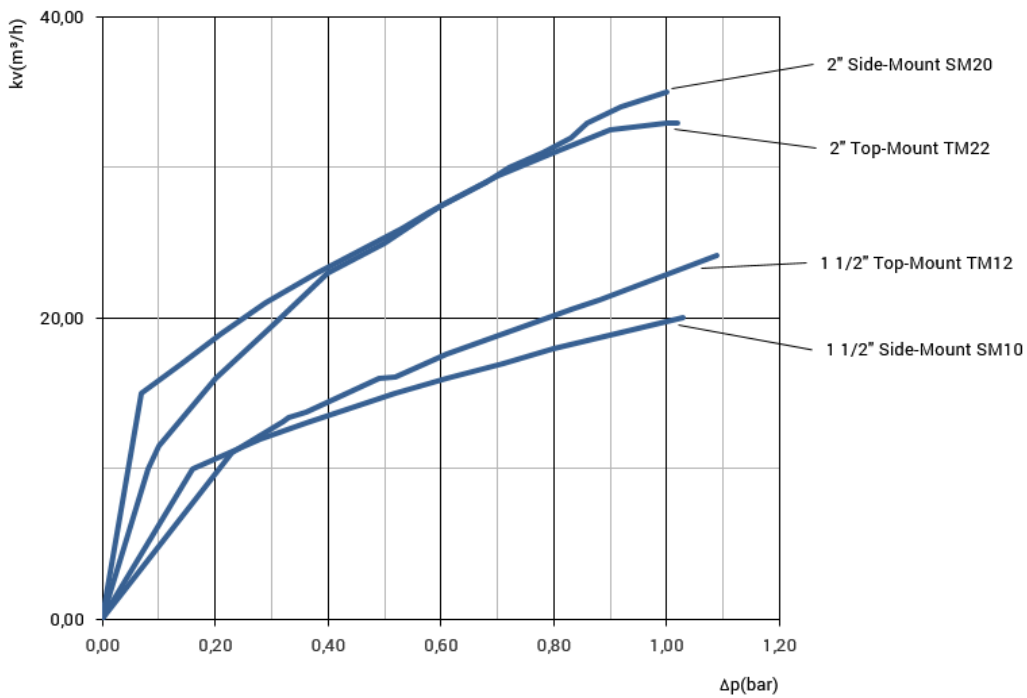
The Aquastar easyII is fully assembled only available in combination with an SM-valve. But it can also be mounted on TM-valves.

DIAGRAMMS

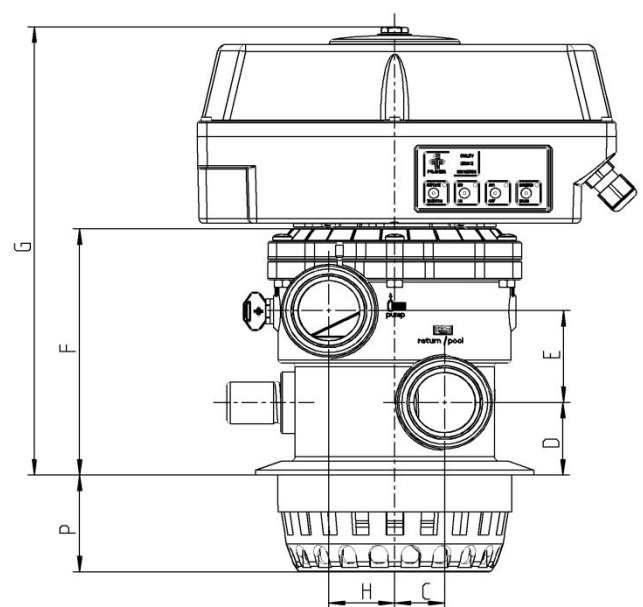
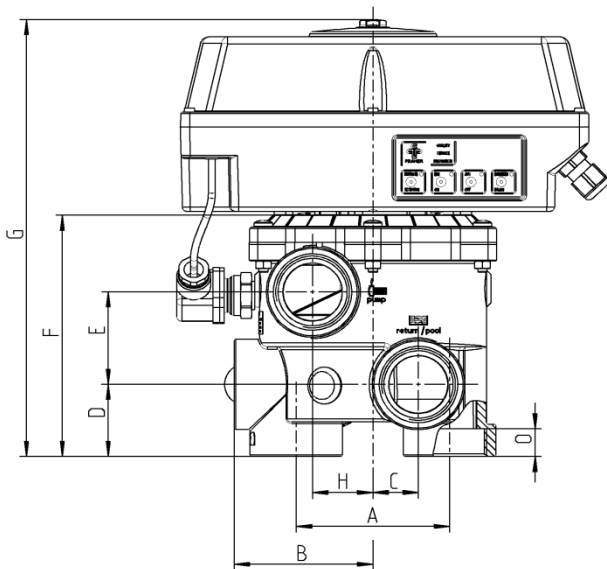
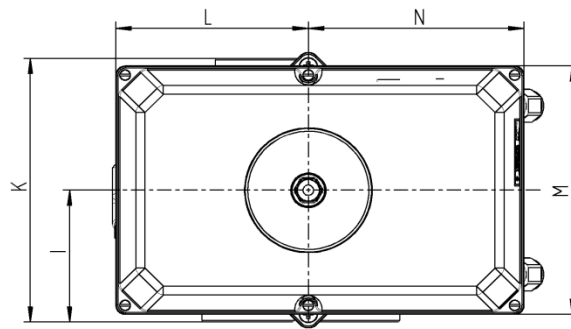
Pressure loss diagram filter



Pressure loss diagram backwash



DIMENSIONS

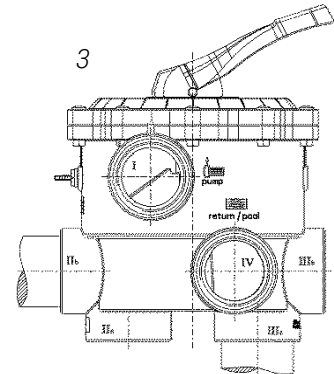
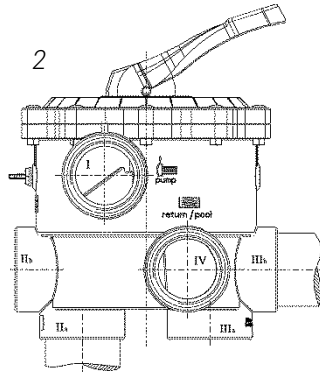
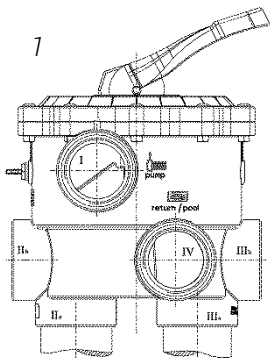


	1 1/2" SM	1 1/2" TM	2" SM
A	99,5	X	110
B	90	X	114
C	29,5	31,5	38
D	48	47	60
E	61,5	59,5	81
F	163,5	160	210
G	295	291	339
H	39	42,5	36
I	87,5	90	114
K	175	180	228
L	125	125	125
M	165	165	165
N	140	140	140
O	18,5	18,5	26
P	X	62,5	X

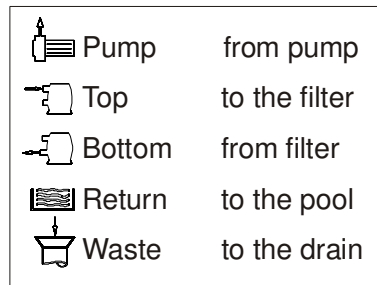
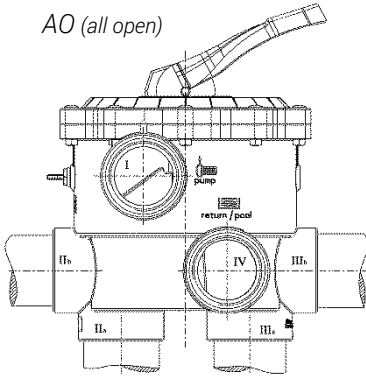
Dimensionen in mm

VALVE

Variants of SIDE MOUNT 1 1/2", 2" und 3":



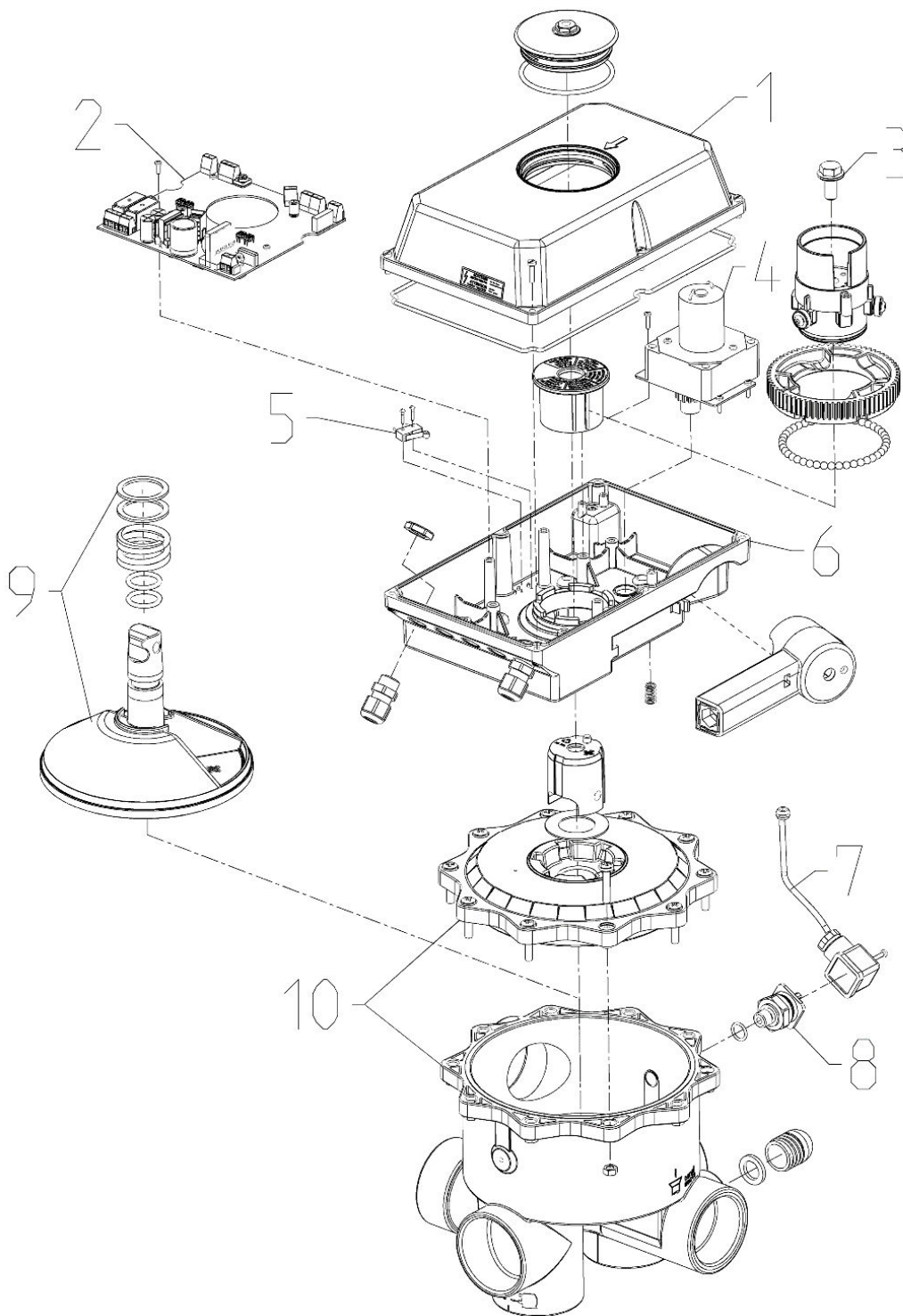
AO (all open)



Function diagram of Praher Plastics Austria 6-way valve

<p>① FILTER <i>filter top</i></p> <p>filter bottom</p>	<p>Filtration of medium (e.g. Water)</p> <p>Pool → Pump → Valve (to filter) → Valve (from filter) → Pool</p>	<p>② WASTE <i>filter top</i></p> <p>filter bottom</p>	<p>Drainage of pool with pump</p> <p>Pool → Pump → Valve → Drain</p>
<p>③ CLOSED <i>filter top</i></p> <p>filter bottom</p>	<p>No circulation. Do not operate pump</p> <p>Pool → Pump → Valve</p>	<p>④ BACKWASH <i>filter top</i></p> <p>filter bottom</p>	<p>Cleaning up filter medium (e.g. Sand) in upstream (reversed flow in filter)</p> <p>Pool → Pump → Valve (from filter) → Filter → Valve (to filter) → Waste</p>
<p>⑤ RECIRCULATE <i>filter top</i></p> <p>filter bottom</p>	<p>Recirculation of fluid without filter (Bypass filter)</p> <p>Pool → Pump → Valve → Pool</p>	<p>⑥ RINSE <i>filter top</i></p> <p>filter bottom</p>	<p>Cleaning of filter medium (e.g. Sand) after backwash</p> <p>Pool → Pump → Valve (to filter) → Filter → Valve (from filter) → Waste</p>

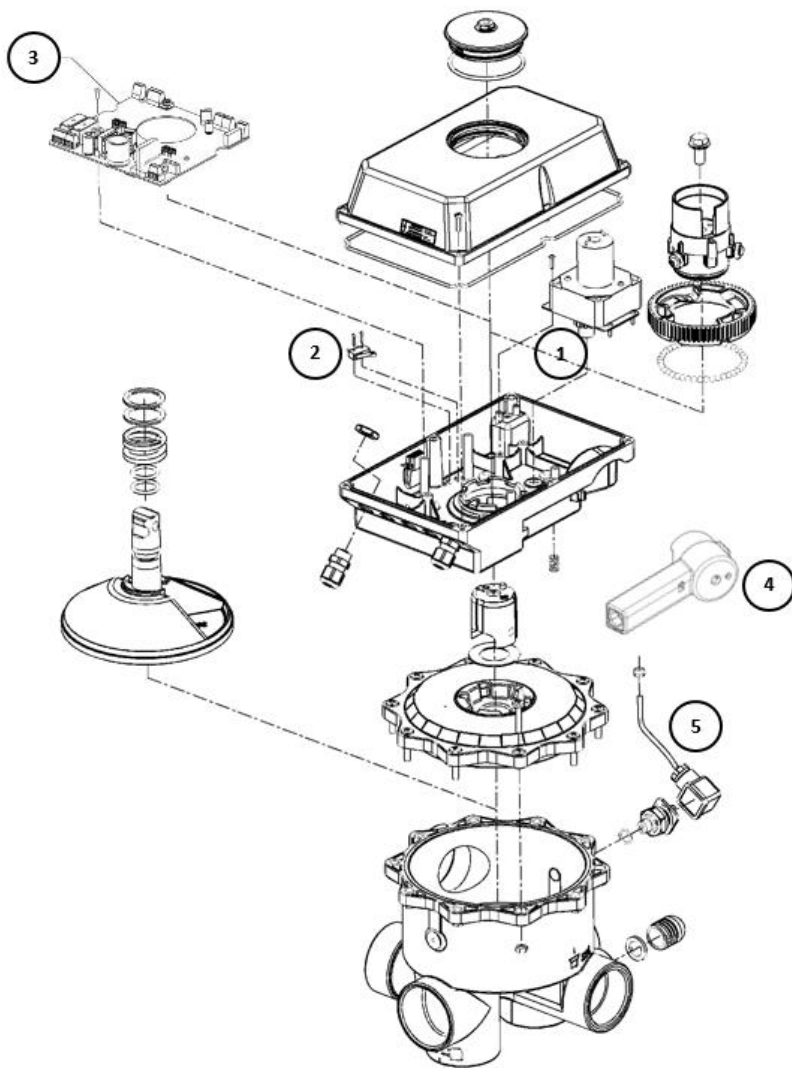
EXPLOSIONSZEICHNUNG



1. Aquastar lid with foam rubber cord
2. Control board
3. Hexagon screw
4. Gear motor
5. Pump end switch
6. Aquastar body bottom

7. Plug and cable (at option pressure sensor)
8. Pressure Sensor (at option pressure sensor)
9. Valve plate set up
10. V6ND valve 1 1/2", 2"

ACCESSORIES AND SPARE PARTS



1. Gear motor
2. Pump end switch
3. Control board 24V
4. Power supply 230V and spacers
5. Pressure sensor with plug, cable and seals

Item number	Product name	Included
131280	Spare part kit for Aquastar - motor 6V DC - Motor	1
131281	Spare part kit for Aquastar - pump switch for 6VDC motor	2
131449	Spare part kit for Aquastar EasyII - circuit board 230V	3
131450	Spare part kit for Aquastar EasyII - Pressure sensor	5
101862	Emergency handle in ABS black	4



Praher Plastics Austria GmbH

Poneggenstraße 5
4311 Schwertberg
Österreich

T +43 7262 61179-0
F +43 7262 61203
sales@praherplastics.com

*© Praher Plastics Austria GmbH
Zertifiziert nach / certified acc. to
EN ISO 9001:2015*

DB/DEEN/21/03/455

*Diese Druckschrift enthält keine
Gewährleistungszusagen, sondern will lediglich
eine erste Information vermitteln. Das Programm
wird ständig erweitert, daher entsprechen die
Ausführungen und Typen dem Stand bei
Drucklegung. Technische Änderungen
vorbehalten!*

*This document contains no warranties, but simply
conveys initial information. The program is
constantly expanding and therefore the versions
and types correspond to the state on the date of
printing. Subject to technical changes!*



www.praher-plastics.com