



www.poolspa.co.th



SWIMMING POOL FITTINGS SPA FITTINGS



TRUST OUR PROFESSIONALS,
TRUST POOL&SPA

✉ sales@poolspa.co.th
✉ projects@poolspa.co.th



www.poolspa.co.th



✉ sales@poolspa.co.th

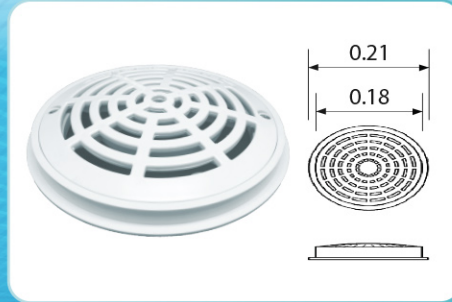
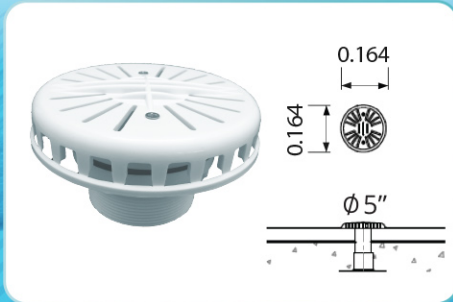
✉ projects@poolspa.co.th

MAIN DRAIN

FITTINGS

Colour :  

Colour :  



SUCTION 5"

Material : Body ABS with UV stabilizer

Model	Flow Rate	Colour	Pipe Size
PSF-09-CW	90 gpm.	White	1 1/2" FIP, 2" MIP
PSF-09-CB	90 gpm.	Black	1 1/2" FIP, 2" MIP

Concrete Pool

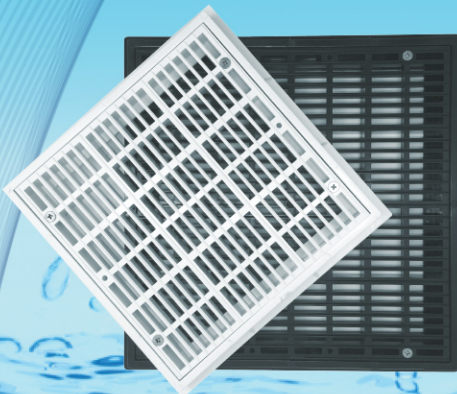
PSF-09-FW	90 gpm.	White	1 1/2" FIP, 2" MIP
PSF-09-FB	90 gpm.	Black	1 1/2" FIP, 2" MIP

Fiberglass Pool

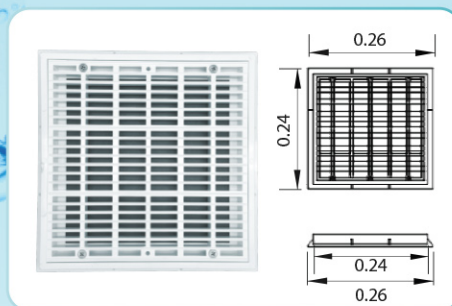
MAIN DRAIN 8"

Round Frame and Grate Approved
White or Black Body ABS with Securing
Screws

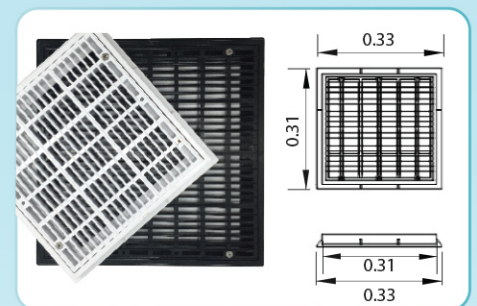
Model	Flow Rate	Colour	Size
PSF-10-W	90 gpm.	White	7 3/4" Diam., Open Area 13 sq.in
PSF-10-B	90 gpm.	Black	7 3/4" Diam., Open Area 13 sq.in



Colour :  



Colour :  



MAIN DRAIN 9" x 9"

Square Frame and Grate Approved
White or Black Body ABS with Securing
Screws

Model	Flow Rate	Colour	Size
PSF-11-W	120 gpm.	White	9" x 9", Open Area 44 sq.in
PSF-11-B	120 gpm.	Black	9" x 9", Open Area 44 sq.in

MAIN DRAIN 12" x 12"

Square Frame and Grate Approved
White or Black Body ABS with Securing
Screws

Model	Flow Rate	Colour	Size
PSF-12-W	220 gpm.	White	12" x 12", Open Area 78 sq.in
PSF-12-B	220 gpm.	Black	12" x 12", Open Area 78 sq.in



www.poolspa.co.th



sales@poolspa.co.th
projects@poolspa.co.th

Colour :

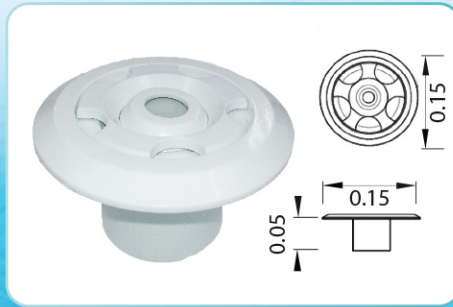


ADJUSTABLE STANDARD WALL INLET (STANDARD EYEBALL)

Material : ABS with UV Stabilizer

Model	Flow Rate	Colour	Pipe Size
PSF-02-W	25 gpm.	White	1 1/2" FIP, 2" MIP
PSF-02-B	25 gpm.	Black	1 1/2" FIP, 2" MIP

Colour :



ADJUSTABLE STAR WALL INLET (STAR EYEBALL)

Material : ABS with UV Stabilizer

Model	Flow Rate	Colour	Pipe Size
PSF-03-W	25 gpm.	White	1 1/2" FIP, 2" MIP
PSF-03-B	25 gpm.	Black	1 1/2" FIP, 2" MIP

INLET & VACUUM FITTINGS



Colour :

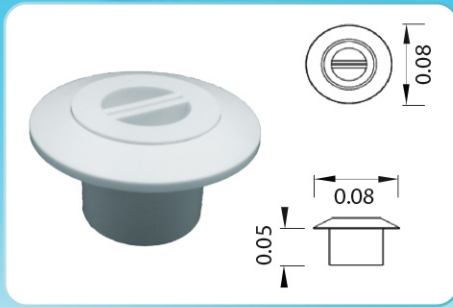


STANDARD FLOOR INLET

Material : ABS with UV Stabilizer

Model	Flow Rate	Colour	Pipe Size
PSF-07-W	25 gpm.	White	1 1/2" FIP, 2" MIP
PSF-07-B	25 gpm.	Black	1 1/2" FIP, 2" MIP

Colour :

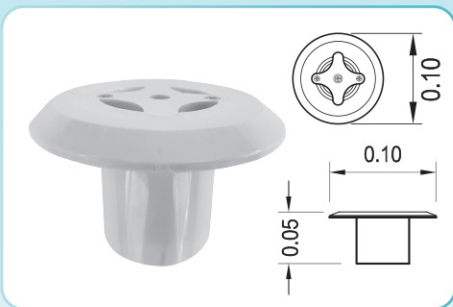


STANDARD VACUUM

Material : ABS with UV Stabilizer

Model	Flow Rate	Colour	Pipe Size
PSF-06-W	25 gpm.	White	1 1/2" FIP, 2" MIP
PSF-06-B	25 gpm.	Black	1 1/2" FIP, 2" MIP

Colour :

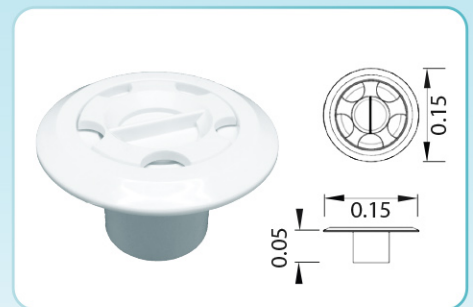


FLOOR INLET (NEW MODEL)

Material : ABS with UV Stabilizer

Model	Flow Rate	Colour	Pipe Size
PSF-20-W	25 gpm.	White	1 1/2" FIP, 2" MIP
PSF-20-B	25 gpm.	Black	1 1/2" FIP, 2" MIP

Colour :



STAR VACUUM

Material : ABS with UV Stabilizer

Model	Flow Rate	Colour	Pipe Size
PSF-05-W	25 gpm.	White	1 1/2" FIP, 2" MIP
PSF-05-B	25 gpm.	Black	1 1/2" FIP, 2" MIP



www.poolspa.co.th



✉ sales@poolspa.co.th

✉ projects@poolspa.co.th


SPA FITTINGS

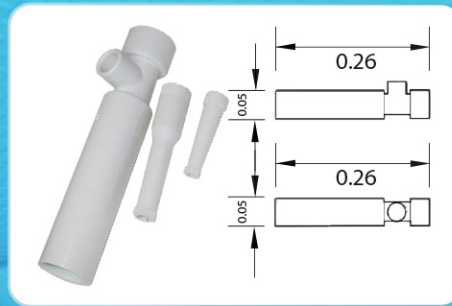
Colour :  



STANDARD AIR VALVE CONTROL
White Body ABS For Concrete Pool

Model	Colour	Size
PSF-14-W	White	1 1/2"
PSF-14-B	Black	1 1/2"


Colour : 

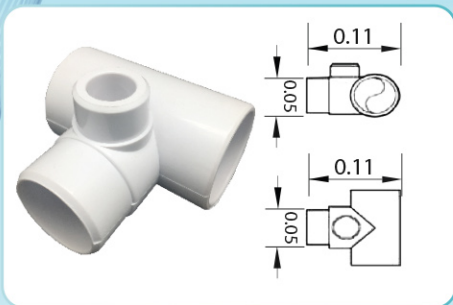


LONG SPA JET WITH VENTURI TEE
White Body ABS For Concrete Pool

Model	Flow Rate	Colour	Pipe Size
PSJ-01	20-22 gpm.	White	1 1/2"



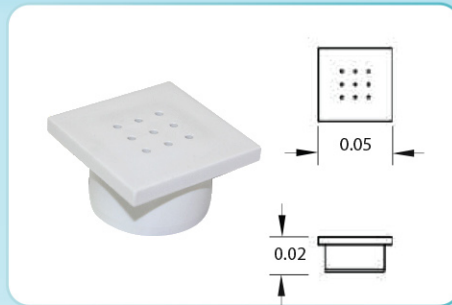
Colour : 



SHORT SPA JET WITH VENTURI TEE
White Body ABS For Concrete Pool

Model	Flow Rate	Colour	Pipe Size
PSJ-02	20-22 gpm.	White	1 1/2"

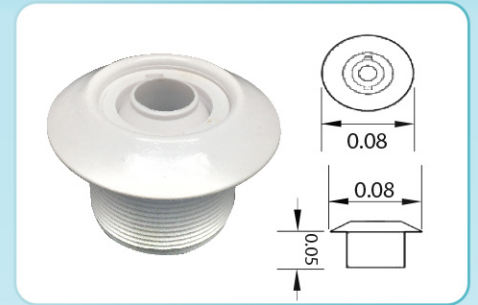
Colour :  



FLOOR BUBBLES
White or Black Body ABS For Concrete Pool

Model	Colour	Pipe Size
PSF-15-W	White	1 1/2" FIP, 2" MIP
PSF-15-B	Black	1 1/2" FIP, 2" MIP

Colour :  



ADJUSTABLE STANDARD WALL INLET (STANDARD EYEBALL)
Material : ABS with UV Stabilizer

Model	Flow Rate	Colour	Pipe Size
PSF-02-W	25 gpm.	White	1 1/2" FIP, 2" MIP
PSF-02-B	25 gpm.	Black	1 1/2" FIP, 2" MIP