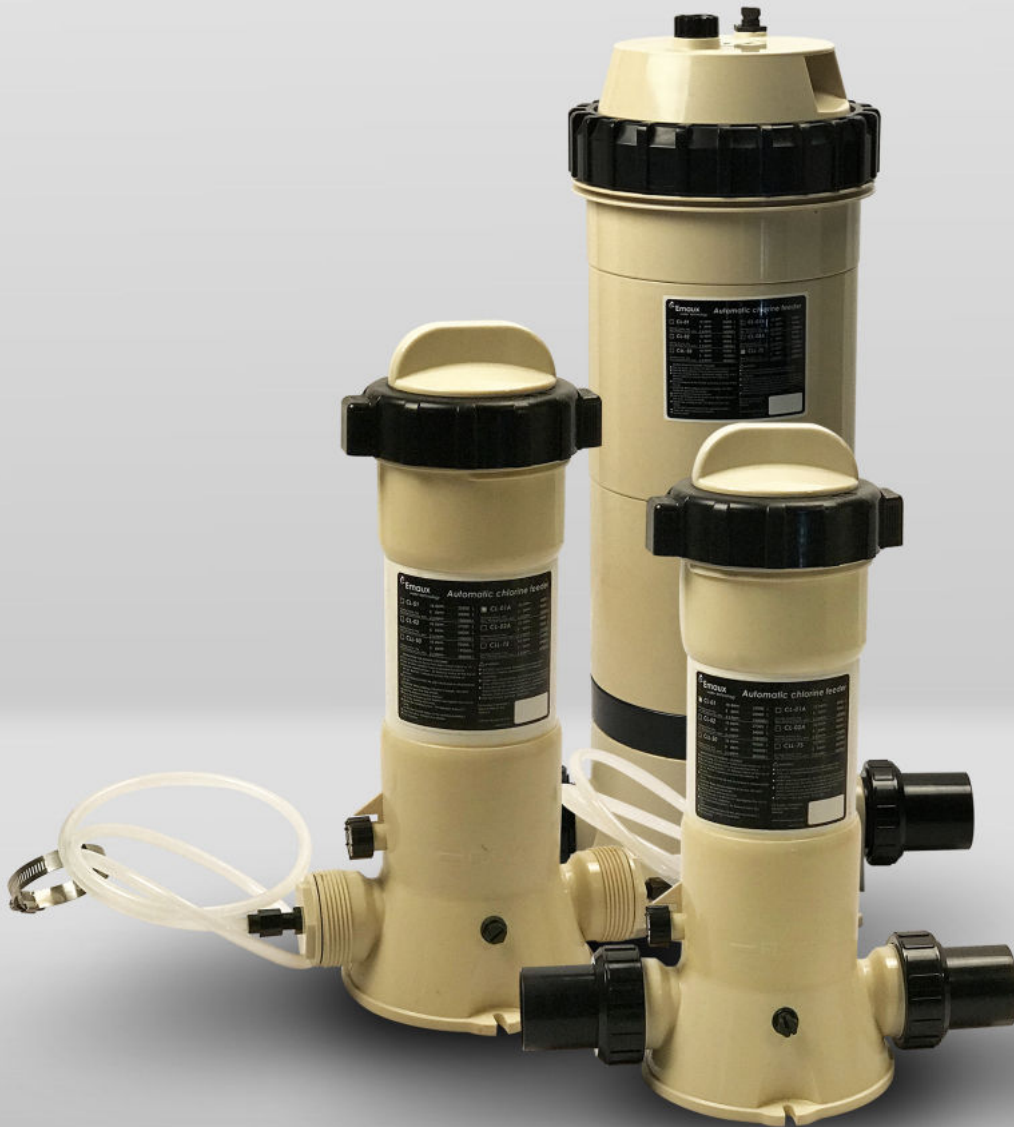


# Chemical Feeder

MAINTAINS CHLORINE LEVEL AUTOMATICALLY  
For residential and commercial pools



## Product Features

1. Offer user-friendly solution for sanitizing large residential and commercial swimming pool using either chlorine or bromine tablets
2. Heavy duty and able to provide automatic sanitization for pools up to 608000 litres.
3. Both in-line and off-line plumbing installations are available in 2 sizes.

**Pool & Spa Equipment**

 **Emaux**  
water technology

[www.emauxgroup.com](http://www.emauxgroup.com)

# High Capacity Chemical Feeders

Treats pool/spa size (Unit: Litre, in a period of 24 hours)



**MODEL: CL-01 & CL-02 (In-line)**

MODEL: CL-01 (In-line)  
 10 ppm ----- 25000L pool  
 5 ppm ----- 50000L pool  
 2.5ppm ----- 100000L pool

MODEL: CL-02 (In-line)  
 10 ppm ----- 27000L pool  
 5 ppm ----- 54000L pool  
 2.5ppm ----- 108000L pool



**MODEL: CL-01A & CL-02A (Off-line)**

MODEL: CL-01 A (Off-line)  
 10 ppm ----- 45000L pool  
 5 ppm ----- 90000L pool  
 2.5ppm ----- 180000L pool

MODEL: CL-02A (Off-line)  
 10 ppm ----- 49000L pool  
 5 ppm ----- 98000L pool  
 2.5ppm ----- 196000L pool



**MODEL: CLL-50 & CLL-75**

MODEL: CLL-50 (In-line)  
 10 ppm ----- 95000L pool  
 5 ppm ----- 190000L pool  
 2.5ppm ----- 380000L pool

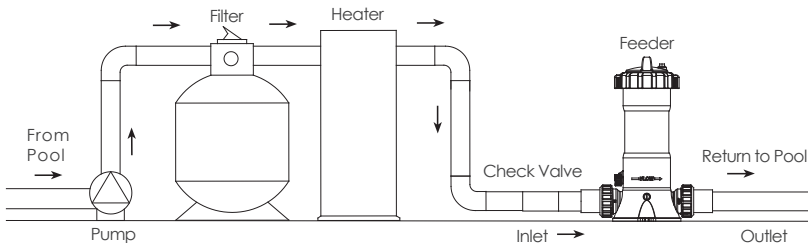
MODEL: CLL-75 (In-line)  
 10 ppm ----- 152000L pool  
 5 ppm ----- 304000L pool  
 2.5ppm ----- 608000L pool

## Technical Information

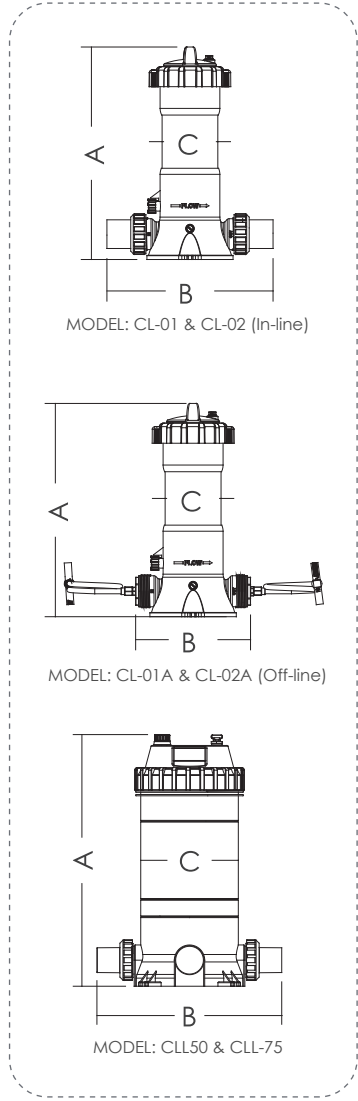
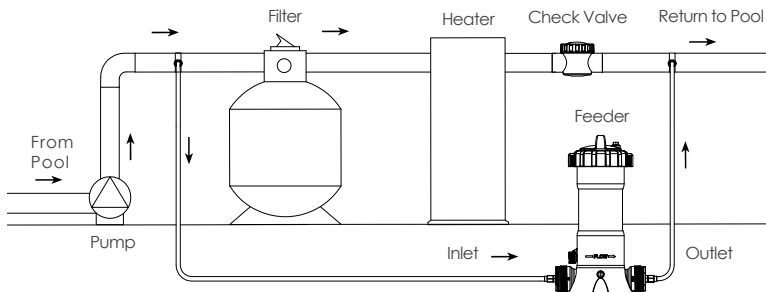
Code	Model	Chlorine Tablet Specification	Quantity (pc)	Total Weight(kg)	Valve Connection	A (mm)	B (mm)	C (mm)
88440207	CL-01	Ø30x16mm/pc Ø76x26mm/pc	102 11	2	1.5" 50mm	420	330	110
88440217	CL-02	Ø30x16mm/pc Ø76x26mm/pc	198 22	4	1.5" 50mm	705	330	110
88440208	CL-01A	Ø30x16mm/pc Ø76x26mm/pc	102 11	2	- 10mm	420	230	110
88440218	CL-02A	Ø30x16mm/pc Ø76x26mm/pc	198 22	4	- 10mm	705	230	110
88440302	CLL-50	Ø30x16mm/pc Ø76x26mm/pc	300 32	6	1.5" 50mm	580	440	225
88440303	CLL-75	Ø30x16mm/pc Ø76x26mm/pc	550 50	11	1.5" 50mm	760	440	225

This feeder can ONLY be used with slow-dissolving Tri-Chlor. Do NOT mix with other type of chlorine or chemical, otherwise, it may cause an explosion or fire.

### 1. Model: CL-01/CL-02/CLL-50/CLL-75(In-line)



### 2. Model: CL-01A/CL-02A(Off-line)



## EMAUX WATER TECHNOLOGY CO., LTD

ADDRESS G/F 41 TIN HAU TEMPLE ROAD,  
 NORTH POINT, HONG KONG  
 PHONE +852 2832 9880  
 www.emauxgroup.com

Pool & Spa Equipment

STRIVE FOR CLEAR WATER

Available from:

ALL SPECIFICATIONS ARE SUBJECT TO CHANGE WITHOUT NOTICE  
 © 2018 EMAUX WATER TECHNOLOGY CO., LTD. ALL RIGHTS RESERVED.