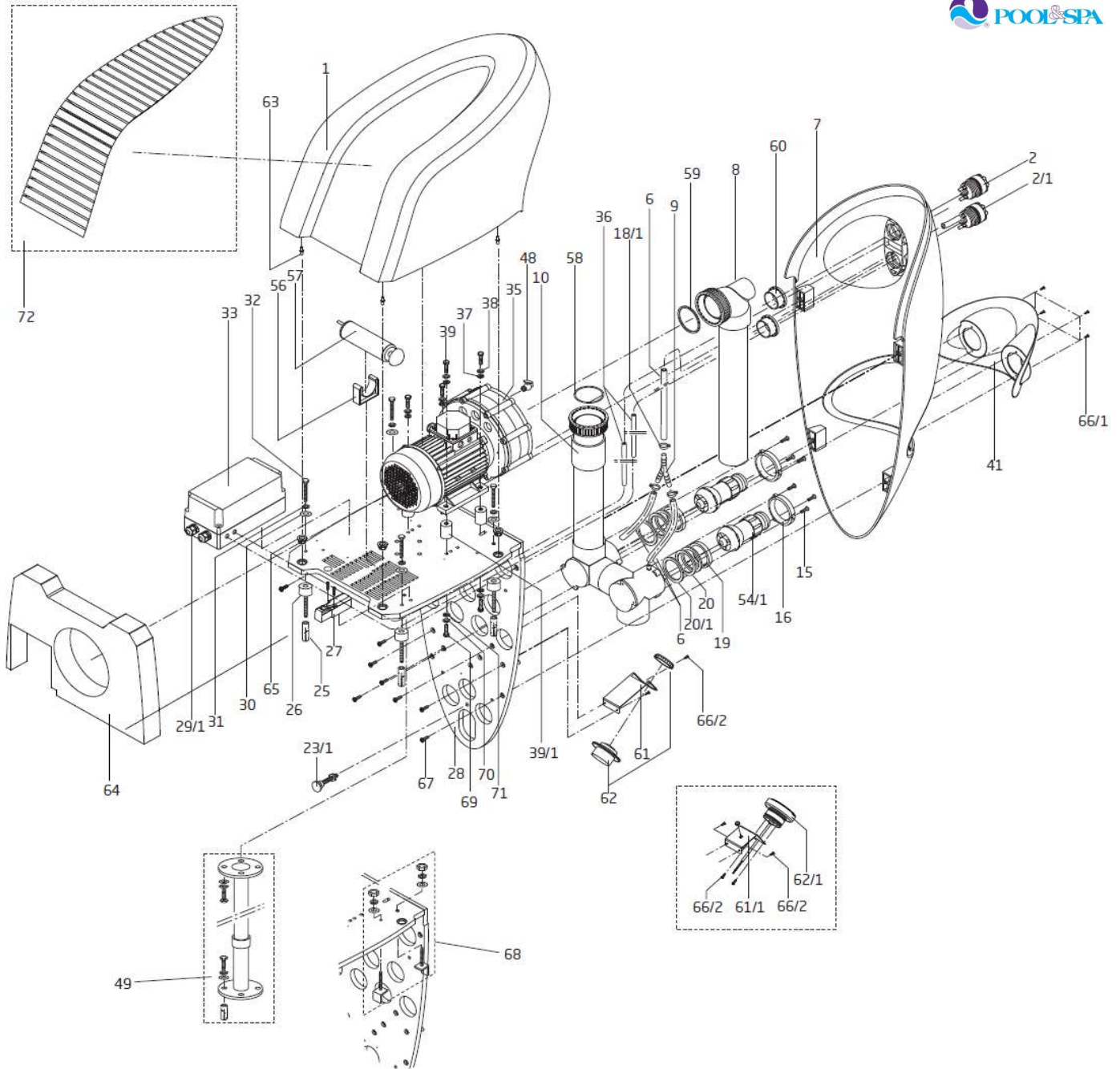


Parts of Model BADUJET STELLA



POOLSPA CODES	ARTICLE NO.	PART NO.	QTY	DESCRIPTIONS	RETAIL PRICE 2025
20711930830	231.9800.922	1	1	Cap, amongst other parts consisting of:	POA
20711930835	231.9800.839	63	4	Pin for coupling snaploc	POA
20711931060	231.900.913	2	1	Pneumatic button cpl. "light on / off" amongst other parts consisting of:	1,600.00
20711930840	262.0000.201	60	1	Thead insert, dia = 50 mm x Rp 1 1/2	POA
20711930845	231.9800.912	2/1	1	Pneumatic button cpl. "unit on / off" including air regulation valve amongst other parts consisting of:	1,700.00
20711930840	262.0000.201	60	1	Thead insert, dia = 50 mm x Rp 1 1/2	POA

20711930265	230.1001.007	6	3 x 0,35	Meter PVC hose, 8 x 3 mm, clear, reinforced	POA
20711930850	231.9800.921	7	1	Cover	POA
20711930855	231.9800.906	8	1	Suction line, cpl.	POA
20711930260	230.1001.006	9	1	Y-socket, YS 8,plastic	POA
20711930860	231.9800.911	10, 15, 16, 19, 20, 58 + 54/1	1	Pressure line, cpl., consisting of:	POA
20711930865	231.9800.919	10	1	Pressure line, assembled	POA
20711930870	587.9006.023	15	6	Screw, 6 x 22 mm, A 4	POA
20711930875	231.9800.817	16	2	Housing flange	800.00
20711930550	230.2002.056	19	2	Retainer ring	POA
20711930555	230.2002.157	20	2	Hose gasket, 60 x 73.5 x 4 mm	POA
20711930880	231.9800.924	20/1	2	Supporting disk for ball nozzle	POA
20711930885	230.2002.854	54/1	2	Ball nozzle, dia = 40 mm, adjustable	POA
20711930305	292.1441.210	58	1	O-ring, 68 x 3.5 mm	POA
20711930280	230.1004.001	18/1	6	Tube clamp, dia = 13.2 - 15.7 mm, 1.4301	POA
20711930890	230.7004.003	23/1	1	Spacer extension	POA
20711930895	230.6006.006	25	4	Expanding rivet, M 8, brass	POA
20711930900	230.6006.005	26	4	Rubber-metal buffer, M 8 x 36 mm	POA
20711930905	231.9800.916	28	1	Base plate, cpl.	POA
20711930300	587.9021.080	30	4	Washer, dia = 8.4 x 24 mm, A 2	POA
20711930910	587.6797.080	31	4	Lock washer, dia = 8.4 mm, A 2	POA
20711930915	587.9330.825	32	4	Hexagon head bolt, M 8 x 25, A 2	POA
20711930920	233.6002.736	33	1	Switch box cpl. for BADU JET Stella, 3~, version with white or multicoloured LED (with out LED spotlight)	POA
20711930925	233.6002.810			for multicoloured LED version	POA
				Amongst other parts consisting of:	
20711930930	588.0800.420	27	1	Position switch, cpl. With key	POA
20711930935	233.6005.619		1	Motor protection relay with contactor	POA
20711930940	588.0800.460		2	Pneumatic switch	POA
20711930740	233.6002.756		1	Fuse cpl., with connection terminal block, fuse plug and microfuse	POA
20711930745	588.5000.189		1	Microfuse, 3.15 A	POA
20711930730	588.2502.014	29/1	4	Cable gland, M 20 x 1.5, grey	POA
20711930945	588.2501.215		1	Cable gland, M 12 x 1.5, grey	POA
20711930950	230.2080.022		2	Seal for pneumatic switch, 20 x 13 x 1 mm Transformer, 12 V, 3 W,	POA
20711930955	232.0000.007		1	for white LED version	POA
20711930960	231.9800.930		1	for multicoloured LED version	POA
20711930965	238.1331.337	35	1	Jet pump, type 21-81/33 G 180°, with three-phase motor, 3.00 kw For pump spare parts see pages 184 to 187	POA
20711930970	230.2080.070	36	2	PVC hose combination with socket	POA
20711930300	587.9021.080	37	4	Washer, dia = 8.4 x 24 mm, A 2	POA
20711930910	587.6797.080	38	4	Lock washer, dia = 8.4 mm, A 2	POA
20711930975	587.9330.820	39	4	Hexagon head bolt, M 8 x 20, A 4	POA
20711930980	230.6005.041	39/1	4	Rubber-metal buffer, M 8	POA
20711930985	231.9800.820	41	1	Light cover	POA
20711930990	582.5002.197	48	1	Ventilating valve G 1/4	POA
20711930995	231.9851.000	49	1	Telescopic foot for above ground pools amongst other parts consisting of:	POA
20711931000	231.9007.011	68	4	Mounting brackets cpl. For swimming pool wall	POA
20711931005	231.9800.902	57	1	Hand pump cpl., amongst other parts consisting of:	2,800.00
20711931010	231.9800.807	56	1	Holder for hand pump	POA

20711931015	231.9800.850	59	1	Seal, 80 x 75.5 x 7.5 mm	POA
20711931020	231.9800.812	61	1	Holder for spotlight	POA
				LED spotlight, 12 V	
20711931025	231.9800.866	62	1	Emitting white colour, with 1.5m. Cable	POA
20711931030	231.9800.865			Emitting multi colour, with 1.5m. Cable	POA
20711931035	231.9800.836	64	1	Separation wall for motor ventilation	POA
20711931040	231.9800.840	65	4	Coupling snaploc	POA
20711931045	587.9813.513	66/1	4	Tapping screw, 3.5 x 13 mm, A 4	POA
20711931045	587.9813.513	66/2	2	Tapping screw, 3.5 x 13 mm, A 4	POA
20711930870	587.9006.023	67	8	Screw, 6 x 22 mm, A 4	POA
20711930915	587.9330.825	69	4	Hexagon head bolt, M 8 x 25, A 2	POA
20711930910	587.6797.080	70	4	Lock washer, dia = 8.4 mm, A 2	POA
20711930300	587.9021.080	71	4	Washer, dia = 8.4 x 24 mm, A 2	POA
20711931050	231.9800.904	72	1	Design inlay	POA
				Note: When ordering spare parts, please specify the unit or serial number.	