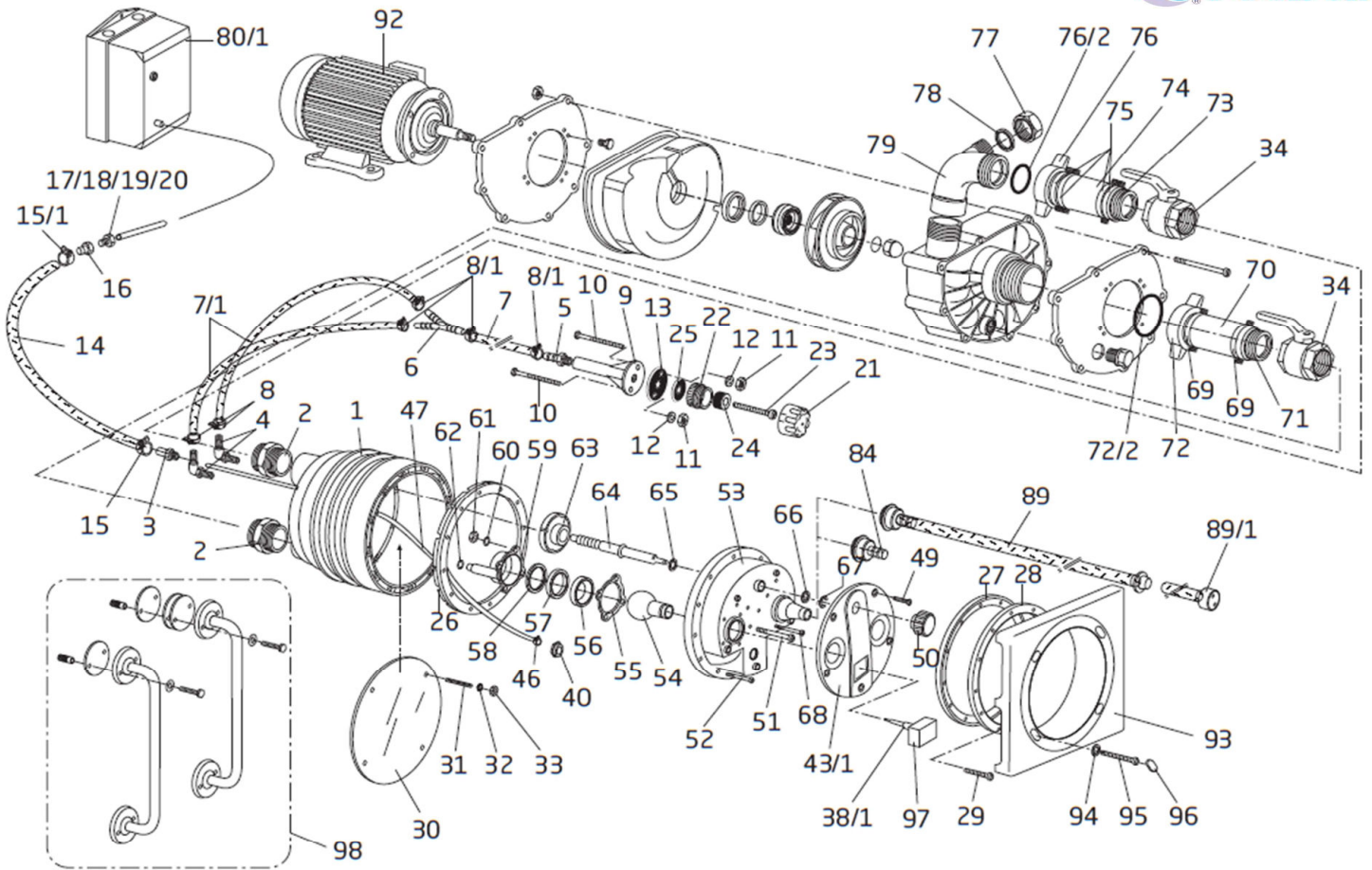


Parts of Model BADUJET SUPER SPORT



POOLSPA CODES	ARTICLE NO.	PART NO.	QTY	DESCRIPTIONS	RETAIL PRICE 2025
				Pre-assembly kit	
20711931070	230.1001.000	1 - 20	1	Jet housing, cpl., consisting of :	POA
20711930230	230.1003.000	1 - 4	1	Jet housing, assembled, consisting of :	POA
20711930235	230.1001.002	2	2	Hexagon socket, R 2 1/2, brass	POA
20711930240	230.1001.003	3	1	Brass connector with socket R 1/2, 36 mm long	POA
20711930245	230.1001.004	4	2	Angled hose nipple, WES 8, R 1/4, plastic	POA
20711931085	230.1004.000	5 - 13	1	Holder for air regulation valve, cpl., consisting of :	22.000,00
20711931075	230.1001.005	5	1	Hose adapter, GES 8, R 1/4	POA
20711930260	230.1001.006	6	1	Y-socket, YS 8, plastic	POA
20711930265	230.1001.007	7	0,8	meter PVC hose, 8 x 3 mm, clear, reinforced	POA
20711930270	230.1001.007	7/1	2 x 0,3	meter PVC hose, 8 x 3 mm, clear, reinforced	POA
20711930275	587.3011.409	8	2	Hose clamp, 11-13/9 W4, 1.4301	POA
20711930280	230.1004.001	8/1	4	Tube clamp, dia = 13.2-15.7 mm, 1.4301	POA
20711930285	230.1001.019	9	1	Holder for air regulation valve	POA
20711930290	586.9330.880	10	2	Hexagon head bolt, M 8 x 80, plastic	POA
20711930295	587.9340.800	11	2	Hexagon nut, M 8, A 4	POA
20711930300	587.9021.080	12	2	Washer, dia = 8.4 x 24 mm, A 2	POA
20711930305	230.1001.013	13	1	Seal, 60 x 2 mm, with 3 holes	POA
20711930310	230.1005.000	14 - 20	1	Cable protection hose, cpl., consisting of :	POA
20711930315	506.0200.019	14	0,6	meter PVC hose, 19 x 4 mm, clear, reinforced	POA

20711930320	230.1001.015	15	1	Hose clamp, S 27/12 SKZ	POA
20711930325	230.1004.002	15/1	1	Hose clamp, 25/8 W 4, 1.4301	POA
20711930330	230.1001.016	16	1	Hose adapter with inside thread PG 13.5, brass	POA
20711930335	588.2400.213	17	1	Pressure screw, PG 13.5	POA
20711930340	588.2831.308	18	1	Sealing ring, 7 x 18.5 x 6 mm	POA
20711930345	588.2841.314	19	1	Thrust ring, D 313/14, galvanized	POA
20711930350	230.1001.020	20	0,02	meter toroidal sealing ring, rubber, dia = 7 mm, black	POA
		21 - 25	1	Air regulation valve white/pink cpl. - NO LONGER AVAILABLE - consisting of :	
20711930360	230.1002.026	21	1	Top part for air regulation valve, white	POA
20711930365	230.1002.022	22	1	Bottom part for air regulation valve, white	POA
20711930370	230.1002.023	23	1	Screw, M 10 x 80, with hole 5.5 mm, brass	POA
20711930375	230.1002.024	24	1	Hose gasket, 16 x 30 x 18 mm	POA
20711930380	230.1002.025	25	1	Seal, 42 x 11 x 2 mm.	POA
20711930385	230.1002.100	21 - 25	1	Air regulation valve white/black cpl., consisting of :	POA
20711931090	230.1002.026	21	1	Top part for air regulation valve, white	3,700.00
20711931095	230.1002.029			Top part for air regulation valve, black	3,700.00
20711931100	230.1002.022	22	1	Bottom part for air regulation valve, white	2,500.00
20711930405	230.1002.028			Bottom part for air regulation valve, black	2,500.00
20711930410	230.1002.023	23	1	Screw, M 10 x 80, with hole 5.5 mm, brass	3,700.00
20711930415	230.1002.024	24	1	Hose gasket, 16 x 30 x 18 mm	1,200.00
20711930420	230.1002.025	25	1	Seal, 42 x 11 x 2 mm	700.00
20711930425	230.1000.026	26	1	Gasket with knobs, dia = 380 mm	POA
20711930430	230.1000.027	27	1	Gasket for clamping ring, dia = 380 mm	POA
20711930435	230.1000.028	28	1	Clamping ring, dia = 380 mm	POA
20711930440	587.9860.830	29	12	Oval head screw, M 8 x 30, A 4	POA
20711930445	230.1000.030	30	1	Dummy plate, dia = 380 mm	POA
20711930450	580.5510.880	31	4	Grub screw with slot, M 8 x 80	POA
20711930455	587.9021.080	32	4	Washer, dia = 8.4 x 24 mm, A 2	POA
20711930460	587.9340.800	33	4	Hexagon nut, M 8, A 4	POA
20711930465	230.1001.100	34	2	Ball valve, Rp 2 1/2, with equipotential bonding, brass chromium-plated	POA
				Final assembly kit	
20711930470	230.2001.900	38/1	1	Pneumatic button cpl. (with counter nut part 40 and tube clamp part 46)	13,000.00
20711930475	230.2001.140	40	1	Counter nut, PG 16	POA
20711930480	230.2001.044	43/1	1	Cover, white	5,000.00
20711930485	230.2001.046	46	1	Tube clamp, dia = 6.8 - 8.0 mm, 1.4301	POA
20711930490	230.0202.060	47	1	PVC hose, 4 x 1.5 mm, clear, not reinforced, length 10 m	POA
20711930495	230.2001.154	97	1	Cap for pneumatic button, white	3,700.00
20711930500	230.2001.156			Cap for pneumatic button, black	3,700.00
20711930505	587.9834.822	49	5	Tapping screw, 4.8 x 22 mm, A 4	POA
20711930510	230.2002.051	50	1	Hand wheel, white	3,700.00
20711930515	230.2002.050			Hand wheel, black	3,700.00
20711930520	587.9120.894	51	10	Hexagon socket screw, M 8 x 130, A 4	POA
20711930525	587.9860.830	52	12	Oval head screw, M 8 x 30, A4	POA
20711930530	230.2002.000	53 - 62 + 68	1	Nozzle housing, assembled, consisting of :	POA
20711930535	230.2002.73	53	1	Nozzle housing	62,000.00
20711930540	230.2002.955	54	2	Ball nozzle, dia = 40 mm, non -adjustable	POA
20711930545	230.2002.060	55	2	Seal, 103 x 81.5 x 1 mm with 4 holes	POA
20711930550	230.2002.056	56	2	Retainer ring	POA

20711930555	230.2002.157	57	2	Hose gasket, 60 x 73.5 x 4 mm	POA		
20711930560	230.2002.057			Hose gasket, 60 x 73.5 x 6.2 mm	POA		
				** When ordering hose rings please specify the exact dimensions.			
20711930565	230.2002.058	58	2	Hose gasket, 60 x 73.5 x 1 mm	POA		
20711930570	230.2002.158			Hose gasket, 60 x 73.5 x 1.5 mm	POA		
				** When ordering hose rings please specify the exact dimensions.			
20711930575	230.2002.069	59	2	Clamping plate for nozzle	POA		
20711930580	587.1270.600	60	8	Spring ring, dia = 6 mm, A 4	POA		
20711930585	587.9340.600	61	8	Hexagon nut, M 6, A 2	POA		
20711930590	230.2002.062	62	2	O-ring 11 x 2.5 mm	POA		
20711930595	587.9850.625	68	8	Oval head screw, M 6 x 25, A 4	POA		
20711930600	230.2002.063	63	1	Regulator dial	POA		
20711930605	230.2002.964	64	1	Regulator spindle, cpl.	POA		
20711930610	230.2002.065	65	1	Washer, 23 x 16.2 x 1.5 mm, polyethylene	POA		
20711930615	230.2002.065	66	1	Washer, 23 x 16.2 x 1.5 mm, polyethylene	POA		
20711930620	230.2002.067	67	1	Lock washer	POA		
20711930625	230.2003.000	69 - 72	1	Suction line, cpl., consisting of :	POA		
20711930630	230.2003.069	69	2	Hose clamp, S 87/20 W1	POA		
20711930635	230.2003.070	70	1	PVC hose, 70 x 8 x 150 mm, not reinforced	POA		
20711930640	230.2003.071	71	1	Hose adapter, R 2 1/2 x 73 mm, brass	POA		
20711930645	230.2003.072	72	1	Fly nut G 2 3/4 with hose adapter 73 mm and gasket, brass	POA		
20711930650	230.2003.172	72/2	1	Seal, 78 x 70 x 2 mm	1,200.00		
20711930655	230.2004.000	73 - 79	1	Pressure line, cpl., consisting of :	POA		
20711930660	230.2004.073	73	1	Hose adapter, R 2 1/2 x 63 mm, brass	POA		
20711930665	230.2004.074	74	1	PVC hose, 65 x 7 x 125 mm, not reinforced	POA		
20711930670	230.2004.075	75	4	Hose clamp, S 78/20 W1	3,700.00		
20711930675	230.2004.076	76	1	Fly nut G 2 1/2 with hose adapter 65 mm and gasket, brass	37,000.00		
20711930680	230.2004.176	76/2	1	Seal, 71 x 61 x 2 mm	1,200.00		
20711930685	230.2004.077	77	1	Drain cap, G 2, brass	10,000.00		
20711930690	230.2004.078	78	1	Seal for drain cap, 57 x 2 mm	700.00		
20711930695	230.2004.079	79	1	Special reducer angle, Rp 2 3/4 x 2 1/2 x 2, brass, note: angle cpl. = 77 - 79	POA		
20711930700	230.2080.000	80/1	1	Switch box cpl., 3"	POA		
20711930705	230.2980.000			Switch box cpl., 1"	POA		
				Amongst other parts consisting of :			
				1	Motor protection relay with contactor		
					for 1"	POA	
					for 3"	POA	
20711930710	233.6005.604						
20711930715	233.6005.603						
20711930720	588.0300.012				1	Impulse switch	25,000.00
20711930725	588.0400.027				1*	Pressure transducer	25,000.00
20711930730	588.2502.014		2	Cable gland, M 20 x 1.5, grey	1,200.00		
20711930735	588.2512.015		2	Counter nut, M 20 x 1.5, grey	400.00		
20711930740	233.6002.756		1	Fuse cpl., with connection terminal block, fuse plug and microfuse	10,000.00		
20711930745	588.5000.189		1	Microfuse, 3.15 A	1,200.00		
20711930750	233.6002.811		1	Circuit board II, for counter swim units, Prog_A	POA		
20711930755	230.2080.081	**	1	Hose adapter, GRS 6 - 4, plastic, for switch boxes until no. 34999	700.00		
20711930760	230.2080.082	**	2	Hose clamp, S 9/9 ZY, for switch boxes until no. 34999	1,200.00		
20711930765	230.2080.083	**	0,22	meter PVC hose, 6 x 1.5 mm, clear, not reinforced, for switch boxes until no. 34999	700.00		
20711930770	230.0022.000	84	1	Blank coupling, cpl., for large nozzle	POA		

20711930775	230.0001.000	89	1	Massage hose, cpl., for large nozzle	POA
20711930780	230.0003.000	89/1	1	Massage hose, cpl., with pulsating massage nozzle, for large nozzle	POA
20711930785	230.2000.092	92	1	For BADU JET Super-Sport, 3": Jet pump, type 21-80/33 G 29°, with three-phase motor, 3.00 kw	POA
20711930790	230.2900.092			For BADU JET Super-Sport, 1": Jet pump, type 21-80/33 G 29°, with single-phase motor, 3.00 kw	POA
20711930795	230.2005.238	93	1	Square cover, white	13,000.00
20711930800	587.1250.800	94	4	Washer, dia = 8.4 mm, A 4	900.00
20711930805	587.9850.820	95	4	Oval head screw, M 8 x 20, A 4	1,000.00
20711930810	587.9850.880			Oval head screw, M 8 x 80, A 4	1,000.00
20711930815	230.2801.004	96	4	Plug for Square cover, white (order 1 set / 5 pcs)	3,000.00
20711930820	203.0011.000	98	2	Stainless steel hand rail with fastener	POA
20711930825	230.1990.000	21 - 25 + 38/1 + 53 - 62 + 68 + 93	1	Renewal set consisting of : Square cover with all necessary parts, air regulation valve white/black, pneumatic button, nozzle hosing and supplemental small parts	POA
		*		When replacing the pressure transducer or the cpl. switch box with d = 6.5 mm socket, the following parts are no longer necessary and have to be dismantled :	
				1 x hose adapter, GRS 6 - 4, plastic	
				2 x hose clamp, S 9/9 ZY	
				0.22 meter PVC hose, 6 x 1.5 mm, clear	
				The existing 4 x 1.5 mm hose must be directly connected to the pressure transducer (now with d = 5 mm socket).	
		**		Units with pressure transducer with d = 5.0 mm sockets (switch boxes from no. 35000) don't contain these parts.	
				Note : When ordering spare parts, please specify the unit or serial number.	