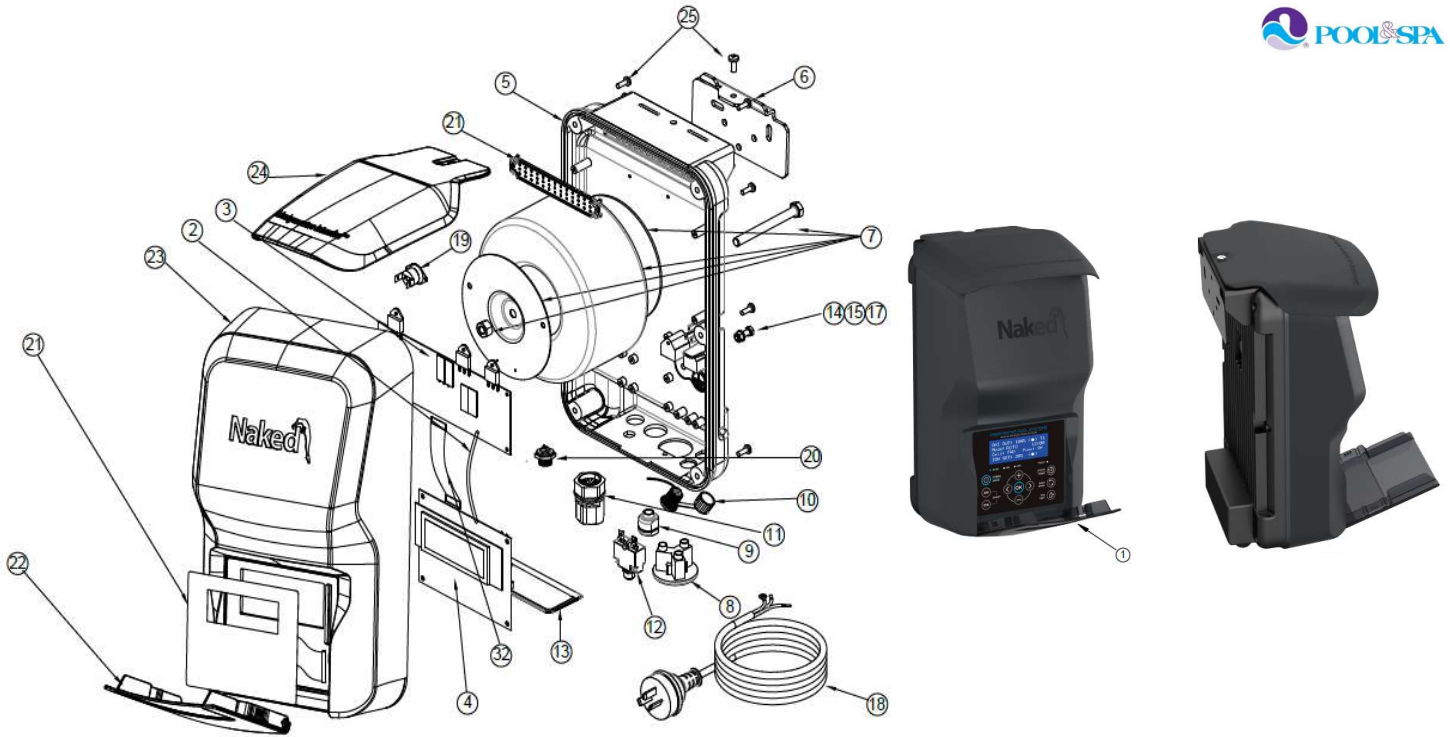


Parts of Model NKD-R - Power Pack



KEY NO.	POOLSPA CODES	PART NO.	DESCRIPTIONS	RETAIL PRICE 2025
CONTROL UNIT				
1	20711420005	NKD1-PP	NKD1 Freshwater System Control Unit only	84,000.00
1	20711420445	NKDR-PP	NKD-R Freshwater System Control Unit only	84,000.00
2	20711420010	N00895	Wire Loom SL-12 - Multi PCB TB-GND Pin 1 to LCD PCB RB-GND Pin 1 BLACK	POA
3	20711420040	N00693-1	NKD Main Triac & Ioniser PCB	30,500.00
4	20711420045	N00496-N	NKD LCD Display PCB	19,900.00
5	20711420050		Aluminium Chassis	POA
6	20711420055	N00453-2	NKD Mounting Bracket	2,750.00
7	20711420060	N00023-2	Transformer 312VA for all Models	26,500.00
8	20711420065	N00498	AC Socket Round	2,750.00
9	20711420070	N00869	Grommet Cable Strain Relief Bush	POA
10	20711420075	N01078	NKD Power Pack Programming Plug with Internal Cable	POA
11	20711420080	N00488	Oxidiser Plug SL-10 Male End Complete with Power Supply Looms	POA
12	20711420085	N00018-2	Circuit Breaker 3amp with 6.3mm push on	2,750.00
13	20711420270	N01150	NKD Bottom Vent Cover - Charcoal	1,090.00
14	20711420110	N00478	Earth Screw M5 S/S	POA
15	20711420115	N00640	Earth Washer M5 S/S	POA
17	20711420120	N00049	Internal Tooth Washer for Earth M5 S/S	POA
18	20711420125	N00011	Power Cord-Au	POA
	20711420450	N00027-2	Thermostat 100degC	POA
20	20711420135	N00883	Ioniser Plug SL-13 Female End Complete with 2 x SL-09 Wire Looms	POA
21	20711420030	N00870-1	NKD1 Push Button Membrane Sticker	7,250.00
	20711420035	N00870-2	NKD1 Top Decal Sticker	POA
	20711420275	N00870-3	NKD Membrane Sticker - 2020	9,400.00
22	20711420280	N01149	NKD Acrylic Front Flap - 2020	2,650.00
23	20711420285	N01148	NKD Front Cover - Charcoal	8,300.00
24	20711420290	N01151	NKD Weather Shield - Charcoal	2,750.00
	20711420295	N00053-3	Screw M4 x 16 SS (Front Cover & Bracket)	POA
PARTS AND COMPONENTS (Not shown in schematic)				
26	20711420140	N00047	Washer 37x37x2.5 Zink Plated	POA

27	20711420145	N00207	Wire Loom SL-01 - CB LOAD to Transformer Active BROWN	POA
28	20711420150	N00223	Wire Loom SL-02 - AC Socket N to PCB N BLUE	POA
30	20711420155	N00224	Wire Loom SL-03 - AC Socket L to PCB PUMP-L BROWN	POA
31	20711420160	N00348	Wire Loom SL-04 - Circuit Breaker LINE to PCB A BROWN	POA
32	20711420165	N00485	Wire Loom SL-11 - Ribbon Cable with RED line and Header Sockets	POA
33	20711420170	N00008	Wire Loom CC-05 - Earth Wire	POA
34	20711420175	N00036	Cable Tie 3mm	POA
35	20711420180	N00560	Green Wall Plugs	POA
36	20711420185	N00217	Screw Self Tapping M5x25 SS (Wall)	POA
37	20711420190	N00052	Screw M3x6 SS (Triac Connection and PCB)	POA
38	20711420195	N00067	NKD Power Supply Carton Box	POA