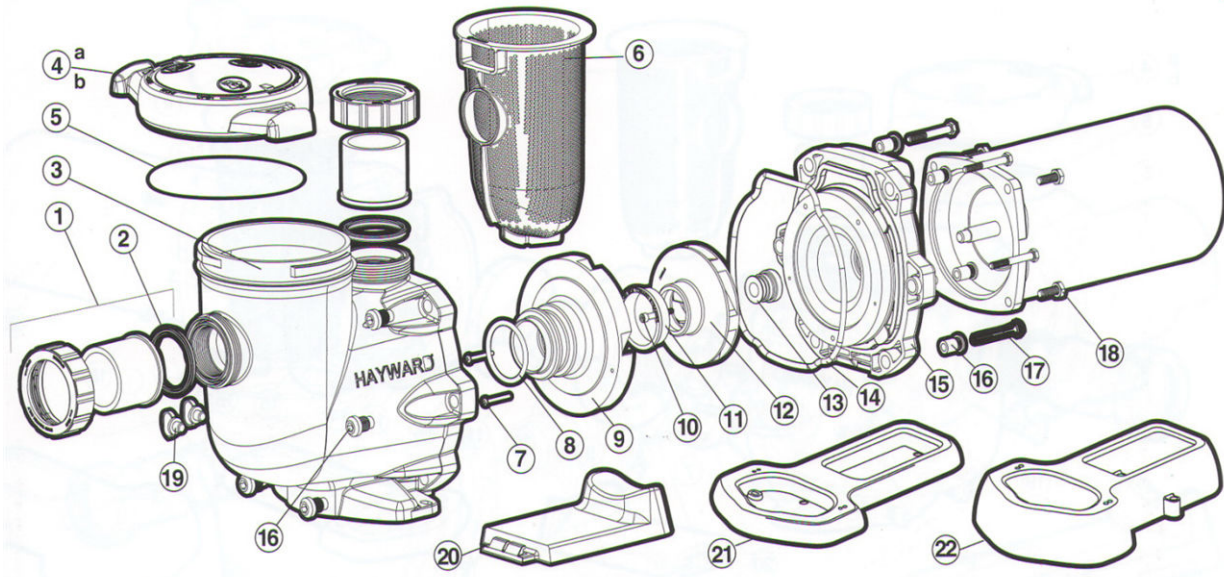


# HAYWARD "HAYWARD" TRISTAR PUMP

## Parts of Model TRISTAR PUMP



KEY NO.	POOLSPA CODES	PART NO.	DESCRIPTIONS	RETAIL PRICE 2025
1	20710800005	SPX3200UNKIT	Union Connector Kit (include Nut, Connector, Gasket)	5,300.00
2	20710800010	SPX3200UG	Union Gasket (T-Seal), 50 duro EPDM (2per Pack)	1,400.00
5	20710800030	SPX3200S	Strainer Cover O-Ring	1,650.00
6	20710800035	SPX3200M	Strainer Basket	2,150.00
8	20710800045	SPX4000Z1	Diffuser O-Ring	1,400.00
9	20710800050	SPX3200B3	Diffuser	4,400.00
10	20710800055	SPX3200Z1	Impeller Screw	760.00
12	20710800065	SPX3205C	Impeller for 3/4 H.P. with Impeller Screw	4,050.00
12	20710800070	SPX3207CM	Impeller for 1 H.P. with Impeller Screw	3,800.00
12	20710800075	SPX3210C	Impeller for 1 1/2 H.P. with Impeller Screw	4,200.00
12	20710800080	SPX3215C	Impeller for 2 H.P. with Impeller Screw	4,900.00
12	20710800085	SPX3220CM	Impeller for 2 1/2 H.P. with Impeller Screw	5,700.00
12	20710800090	SPX3230C	Impeller for 3 H.P. with Impeller Screw	5,700.00
13	20710800095	SPX3200SA	Shaft Seal Assembly	2,900.00
15	20710800105	SPX3200E	Seal Plate	5,800.00
16	20710800110	SPX3200Z211	Housing Insert & Seal Plate Spacer Kit	2,650.00
17	20710800115	SPX3200Z3	Housing Bolt	500.00
18	20710800120	SPX3200Z5	Motor Bolt	1,000.00
19	20710800125	SPX4000FG	Drain Plug with O-Ring	500.00