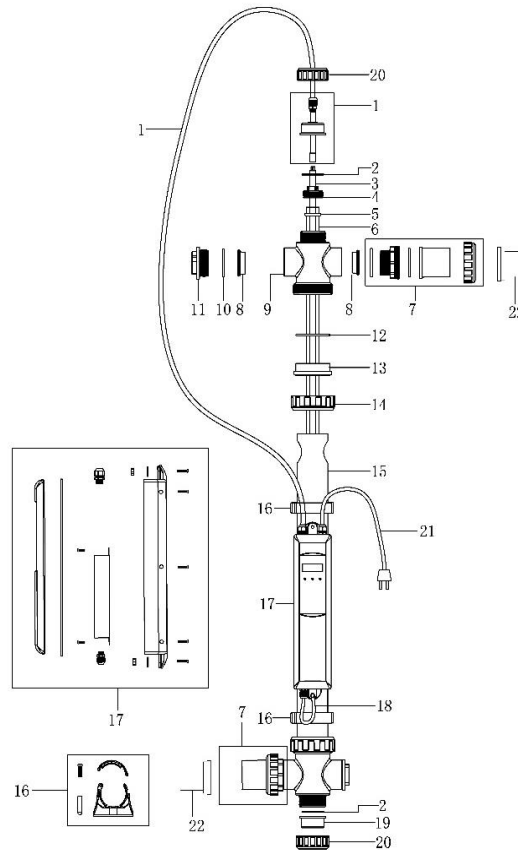


Parts of NT-UV40-T/NT-UV75-T

[Table of Content](#)



KEY NO.	POOLSPA CODES	PART NO.	DESCRIPTIONS	PIECE (S) REQUIRED	RETAIL PRICE 2025
1	21040510545	E130423	End Cap for Cable Hole With Epoxy	1	2,200.00
2	21040510125	111040015	Lamp connector O'ring	2	80.00
3	21040510210	E130426	40W UV lamp	1	6,470.00
3	21040510215	E130427	75W UV lamp	1	7,150.00
4	21040510130	440422251	25 lamp adaptor	2	80.00
5	21040510135	111030021	Quaatz O'ring(d24.8XØ5.2)	2	280.00
6	21040540550	E130432	Quartz Tube for 45W/70W	1	880.00
7	21040510140	E190201	Pipe connection 2 "	2	500.00
8	21040510145	620125430	Adaptor	4	80.00
9	21040510160	620062251	25Cross	2	480.00
10	21040510150	111142482	Connector O'ring	2	80.00
11	21040510155	430221017	Transpar lid	2	150.00
12	21040510325	111142482	UV body O'ring(D76*Ø6)	2	150.00
13	21040510170	620165430	Body connection	2	150.00
14	21040510175	430170986	Union Nut	2	150.00
15	21040510225	620145462	Stainless Steel body	1	4,950.00
16	21040510190	E130404	Closed pipe clips	2	150.00
17	21040510250	E130410	UV40T ballast	1	5,940.00
17	21040510255	E130411	UV75T ballast	1	7,090.00
18	21040510240	E130407	Earth Connexion	1	310.00
19	21040510195	620135460	Cap	1	80.00
20	21040510200	430170635	Union Nut 1.5 "	1	150.00
21	21040510245	105021259	Plug lead	1	990.00
22	20920510160	430300943	1.5" union (Imperial/Metric)	1	150.00

Notes: For complete ballast box, please order item 1, 17, 18, 21 together