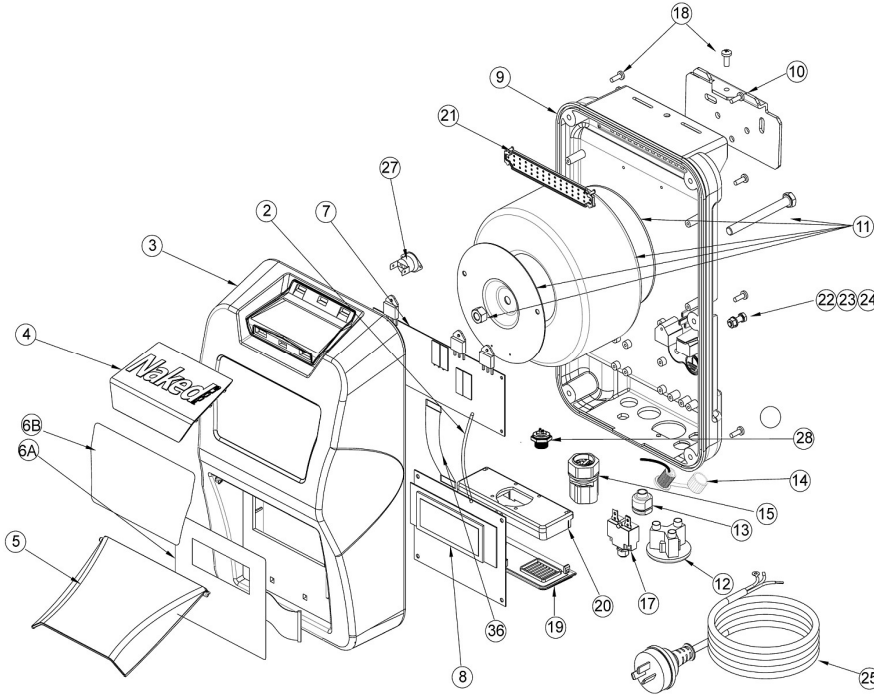


Parts of Model NKD-1 - Power Pack



KEY NO.	POOLSPA CODES	PART NO.	DESCRIPTIONS	RETAIL PRICE 2024
CONTROL UNIT				
1	20711420005	NKD1-PP	NKD1 Freshwater System Control Unit only	84,000.00
2	20711420010	N00895	Wire Loom SL-12 - Multi PCB TB-GND Pin 1 to LCD PCB RB-GND Pin 1 BLACK	POA
3	20711420015	N00364	NKD1 Cover BLACK	5,900.00
4	20711420020	N00842	NKD1 Top Vent	1,100.00
5	20711420025	N00367	NKD1 Front Flap BLUE	1,200.00
6A	20711420030	N00870-1	NKD1 Push Button Membrane Sticker	POA
6B	20711420035	N00870-2	NKD1 Top Decal Sticker	POA
7	20711420040	N00693-1	NKD Main Triac & Ioniser PCB	30,500.00
8	20711420045	N00496-N	NKD LCD Display PCB	19,900.00
9	20711420050	N00356	Aluminium Chassis	POA
10	20711420055	N00453-2	NKD Mounting Bracket	2,750.00
11	20711420060	N00023-2	Transformer 312VA for all Models	26,500.00
12	20711420065	N00498	AC Socket Round	2,750.00
13	20711420070	N00869	Grommet Cable Strain Relief Bush	POA
14	20711420075	N01078	NKD Power Pack Programming Plug with Internal Cable	POA
15	20711420080	N00488	Oxidiser Plug SL-10 Male End Complete with Power Supply Looms	POA
17	20711420085	N00018-2	Circuit Breaker 3amp with 6.3mm push on	2,750.00
18	20711420090	N00053-1	Screw M4 x 10 SS (Front Cover & Bracket)	POA
19	20711420095	N00368	NKD Bottom Vent Cover BLACK	POA
20	20711420100	N00369	NKD1 Support Plate BLACK	POA
21	20711420105	N00370	NKD Snap Fit Gauze BLACK	POA
22	20711420110	N00478	Earth Screw M5 S/S	POA
23	20711420115	N00640	Earth Washer M5 S/S	POA
24	20711420120	N00049	Internal Tooth Washer for Earth M5 S/S	POA
25	20711420125	N00011	Power Cord-Au	POA
27	20711420130	N00027-1	Thermostat 100degC	POA
28	20711420135	N00883	Ioniser Plug SL-13 Female End Complete with 2 x SL-09 Wire Looms	POA
PARTS AND COMPONENTS (Not shown in schematic)				
30	20711420140	N00047	Washer 37x37x2.5 Zink Plated	POA

31	20711420145	N00207	Wire Loom SL-01 - CB LOAD to Transformer Active BROWN	POA
32	20711420150	N00223	Wire Loom SL-02 - AC Socket N to PCB N BLUE	POA
33	20711420155	N00224	Wire Loom SL-03 - AC Socket L to PCB PUMP-L BROWN	POA
34	20711420160	N00348	Wire Loom SL-04 - Circuit Breaker LINE to PCB A BROWN	POA
36	20711420165	N00485	Wire Loom SL-11 - Ribbon Cable with RED line and Header Sockets	POA
37	20711420170	N00008	Wire Loom CC-05 - Earth Wire	POA
38	20711420175	N00036	Cable Tie 3mm	POA
39	20711420180	N00560	Green Wall Plugs	POA
40	20711420185	N00217	Screw Self Tapping M5x25 SS (Wall)	POA
42	20711420190	N00052	Screw M3x6 SS (Triac Connection and PCB)	POA
43	20711420195	N00067	NKD Power Supply Carton Box	POA
44	20711420200	N00876	NKD1 Carton Sleeve	POA
45	20711420205	N00873	NKD1 Operating Manual	POA
46	20711420210	N00079	NKD Freshwater System Outer Box	POA