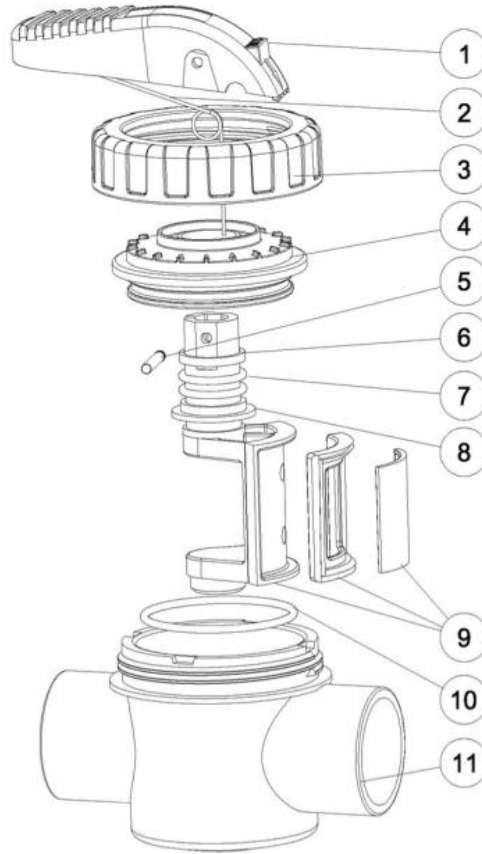


# V50-2 CHECK VALVE REPLACEMENT PARTS

## Parts of V50-2 Check Valve Models: V50-2(E)/ V50-2(A)

[Back to Table of Content](#)



KEY NO.	POOLSPA CODES	PART NO.	DESCRIPTIONS	PIECE (S) REQUIRED	RETAIL PRICE 2024
1	22120510005	01010005	Valve Handle	1	150.00
1	22120510010	01010028	Valve Handle (Blank)	1	150.00
2	22120510015	03014015	Spring	1	80.00
3	22120510080	01021124	Nut	1	280.00
4	22120510085	01010002	Cover for Valve	1	350.00
5	22120510030	03018148	Shaft	1	150.00
6	22120510035	01181056	Anchor ring	1	80.00
7	22120510040	02010048	O-Ring for valve rotor	2	150.00
8	22120510045	01181057	Anchor plate	1	80.00
9	22120510090	89460303	Diverter assembly	1	440.00
10	22120510095	02011202	O-ring	1	150.00
11	22120510100	01173011	2 port valve housing (Metric)	1	1,100.00
11	22120510105	01170050	2 port valve housing (Imperial)	1	1,100.00