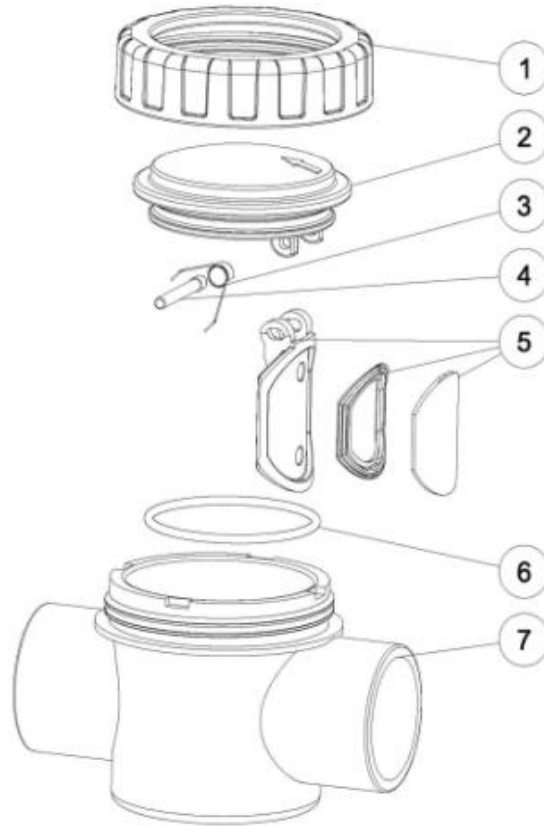


## V40-1 CHECK VALVE REPLACEMENT PARTS

Parts of V40-1 Check Valve Models: V40-1(E)/ V40-1(A)

[Back to Table of Content](#)



KEY NO.	POOLSPA CODES	PART NO.	DESCRIPTIONS	PIECE (S) REQUIRED	RETAIL PRICE 2024
1	22120510020	01021123	Nut	1	180.00
2	22120510120	01040002	Cover	1	280.00
3	22120510125	03014021	Spring	1	80.00
4	22120510130	01021119	Shaft	1	80.00
5	22120510135	89460302	Flapper assembly	1	150.00
6	22120510055	02011204	O-Ring	1	150.00
7	22120510060	01173009	1.5 port valve housing (Metric)	1	800.00
7	22120510065	01170052	1.5 port valve housing (Imperial)	1	800.00