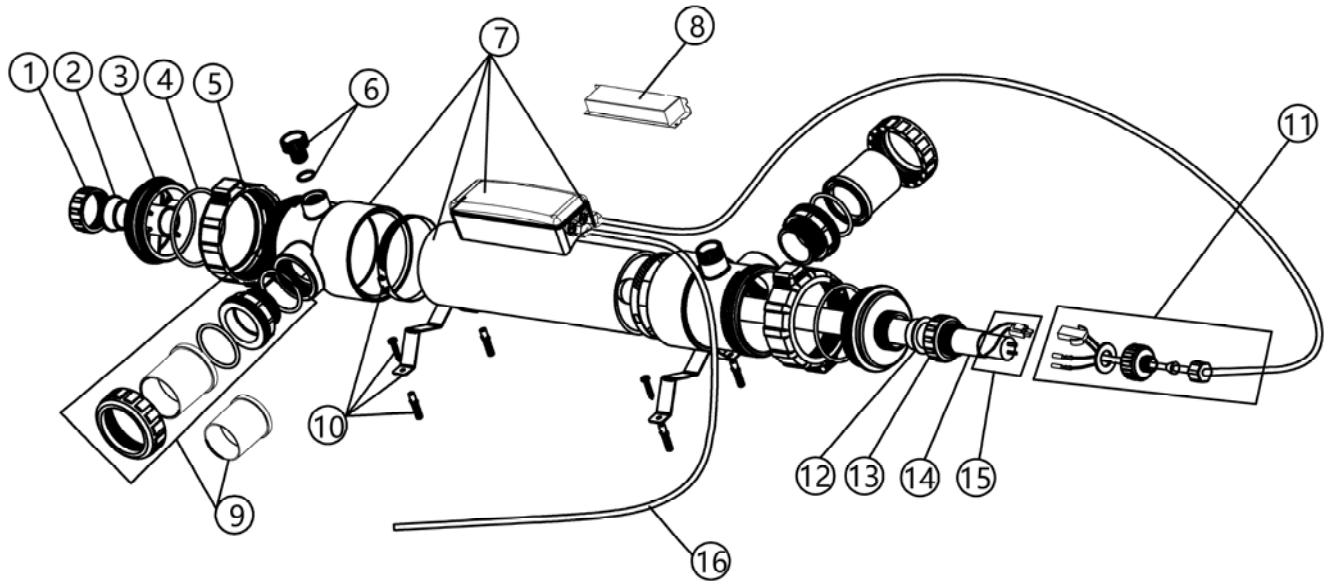


## Parts of FOS-UV-5T, FOS-UV-7, FOS-UV-8T, FOS-UV-14T

[Back to Table of Content](#)



KEY NO.	POOLSPA CODES	PART NO.	DESCRIPTIONS	PIECE (S) REQUIRED	RETAIL PRICE 2024
1	21040510005	01014144	Screw Top	1	80.00
2	21040510010	02021075	Plug	1	280.00
3	21040510055	01014143	UV-C Lid	2	660.00
4	21040510050	02080008	O-Ring for Lid	2	660.00
5	21040510045	01020019	Nut for UV-C	2	280.00
6	21040510355	89042005	Air Release Valve	2	80.00
7	21040510565	E130341	House with Union and Box for FOS-UV-5T/7T	1	2,690.00
7	21040510570	E130342	House with Union and Box for FOS-UV-8T/14T	1	2,690.00
8	21040510575	E130343	Ballast 15W	1	4,200.00
8	21040510650	E130344	Ballast 25W/35W	1	5,100.00
8	21040510580	E130345	Ballast 55W	1	6,000.00
9	21040510140	E190201	2" Union With O-Ring	2	500.00
9	20920510160	430300943	1.5inch/GB50 pipe Union	2	150.00
10	21040510585	E130346	Fixed suite	2	990.00
11	21040510590	E130347	Lamp Holder suite with Four-wires cable	1	1,100.00
12	21040510595	02021076	Silicone round gasket	1	200.00
13	21040510600	01021136	Screw for UV-C Lamp	1	50.00
14	21040510605	E130339	Quartz Tube (for 15W/25W)	1	1,600.00
14	21040510610	E130340	Quartz Tube (for 30W/55W)	1	1,800.00
15	21040510615	E130324	UVC Lamp for FOS(15W)	1	5,200.00
15	21040510620	E130325	UVC Lamp for FOS(25W)	1	5,900.00
15	21040510625	E130326	UVC Lamp for FOS(30W)	1	6,500.00
15	21040510630	E130327	UVC Lamp for FOS(55W)	1	10,900.00
16	21040510395	04013158	Cable	1	520.00

Note: From new version start from 2017