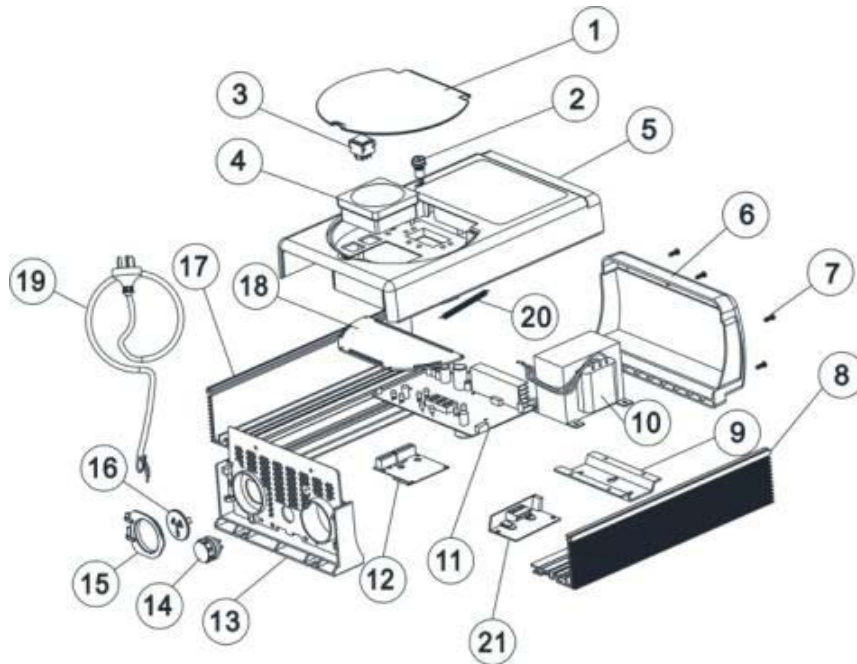


## Parts of SSC Models: SSC50-T - Version 5.6

[Back to Table of Content](#)



KEY NO.	POOLSPA CODES	PART NO.	DESCRIPTIONS	PIECE (S) REQUIRED	RETAIL PRICE 2024
*12	20920510725	E130014	SSC50 PCB Control Complete(Ver5.6)	1	14,900.00
*13	20920510185	E130048	SSC50 Silicon contrlled combination(ver1.5) with connectaion cable	1	4,500.00
*14	20920510265	E130042	EMC Board (without Light)(ver2.0)	1	4,500.00
30	20920510585	E130009	Fuse carrier with fuse and cable for SSC50 (Ver5.6 or before) - Cylindrical Type	1	770.00