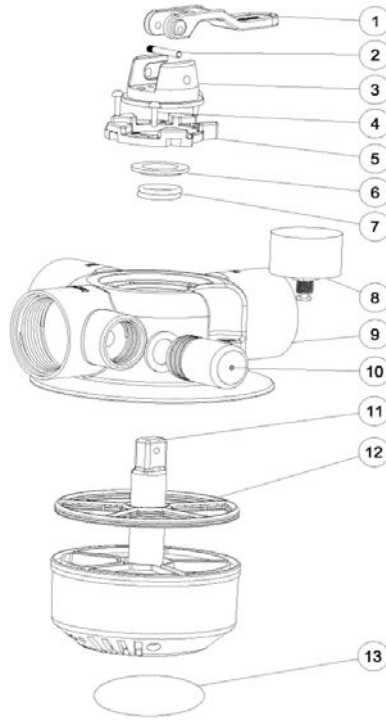


# 1.5" ULTRA 4-WAY VALVE REPLACEMENT PARTS

## Parts of 1.5" ULTRA 4-WAY VALVE Models: MPV-16

[Back to Table of Content](#)



Key No.	Code	Part No.	Description	Piece(s) Required	RETAIL PRICE 2024
1	20650510975	01013130	Handle	1	60.00
2	20650510980	03018160	Pin for Handle	1	150.00
3	20650510985	01013131	Fixation for 1.5" 4-Way Valve Handle	1	70.00
4	20650510440	03011003	4 x 12 Self-Drilling Screw	3	50.00
5	20650510990	01013132	Pressing Ring	1	70.00
6	20650510995	01181060	Washer for 1.5" 4-Way Valve Handle	1	30.00
7	20650511000	02011095	O-Ring for Rotor	2	150.00
8	20710511670	06021014	Plastic Pressure Gauge with O-Ring (40Psi)	1	600.00
9	20650511005	01013134	Body	1	1,200.00
10	20320510245	89280104	Sight Glass with O-Ring	1	100.00
11	20650511010	E190122	1.5" 4-way Valve Rotor Assembly	1	800.00
12	20650511015	02311010	Spider Gasket	1	150.00
13	20650511020	430395045	O-Ring for Diffuser	1	50.00