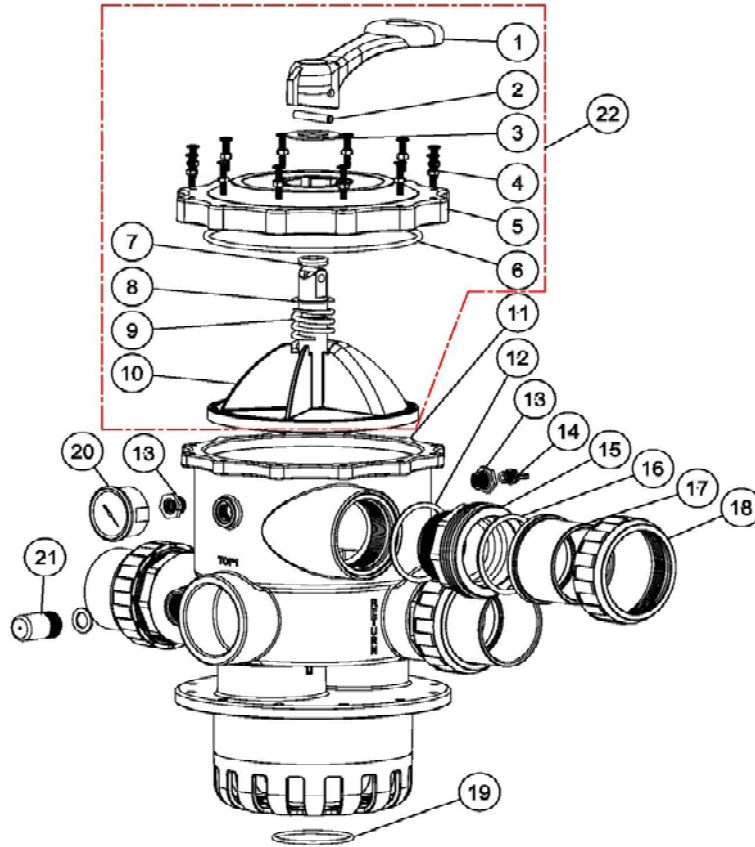


2.5" TOP MOUNT VALVE REPLACEMENT PARTS

Parts of 2.5" TOP MOUNT VALVE Models: MPV-12

[Back to Table of Content](#)



KEY NO.	POOLSPA CODES	PART NO.	DESCRIPTIONS	PIECE (S) REQUIRED	RETAIL PRICE 2024
1	20650510025	01013003	Handle (Big)	1	280.00
2	20650510040	03018008	Pin for Handle	1	150.00
3	20650510185	01181027	Washer for Handle	1	80.00
4	20650510645	89281204	M6 x 33 "T" Screw with Nut	12	150.00
5	20650510650-1	01021129	2.5"Top Mount Valve Standard Lid (Black)	1	1,870.00
6	20650510655	02010228	O-Ring for 2.5" Valve Lid	1	190.00
7	20650510095	02011022	O-Ring for Valve Rotor	2	150.00
8	20650510085	01181002	Washer for Spring	1	80.00
9	20650510215	03014014	Spring for Valve	1	1,430.00
10	20650510660	89280806	2.5" Valve Rotor with Spider Gasket (Black)	1	1,320.00
11	20650510665	89280115	Bottom Body with Diffuser(Black)	1	7,700.00
12	20650510670	02020053	O-Ring for 2.5"Union	3	80.00
13	20320511305	E190109	Connector for Pressure Gauge/Stopper	1	80.00
14	20650510180	89021307	Drain Plug With O-Ring	2	150.00
15	20650510675	01013143	2.5" Connector (Black)	3	400.00
16	20650510680	111040024	O-ring D80.5*5.3 * Replac 02010043	2	100.00
17	20320511420	430300985	2.5" Union Adaptor	3	500.00
18	20650510690	01013147	2.5" Nut for Connector	2	300.00
19	20650510695	02010044	O-Ring for Diffuser	1	150.00
20	20320511020	06011029	Maximum 40PSI Indication, Stainless Steel Casing	1	990.00
21	20320510245	89280104	Sight Glass with O-Ring	1	150.00
22	20320511095	919301026	MPV12 upper Part	1	4,200.00