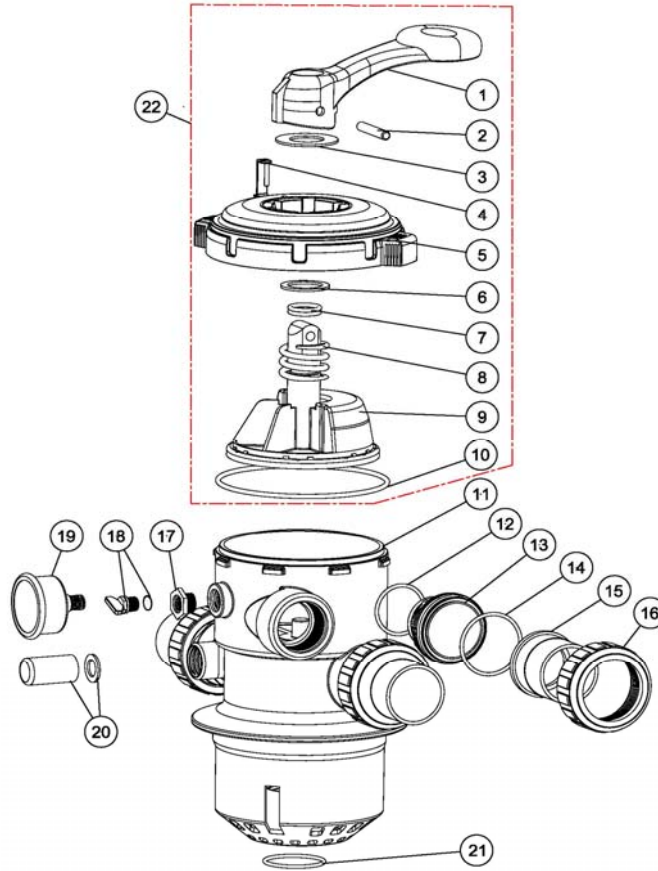


1.5" CLAMP TYPE MULTIPORT VALVE REPLACEMENT PARTS

Parts of 1.5" CLAMP TYPE MULTIPORT VALVE Models: MPV-07

[Back to Table of Content](#)



KEY NO.	POOLSPA CODES	PART NO.	DESCRIPTIONS	PIECE (S) REQUIRED	RETAIL PRICE 2024
1	20650510025	01013003	Handle (Big)	1	280.00
2	20650510040	03018008	Pin for Handle	1	150.00
3	20650510185	01181027	Washer for Handle	1	80.00
4	20650510585	01181029	Defend Lock	1	80.00
5	20650510590	01020003	1.5" Lid	1	1,160.00
6	20650510085	01181002	Washer for Spring	1	80.00
7	20650510095	02011022	O-Ring for Valve Rotor	2	150.00
8	20650510090	03014001	Spring for 1.5" Top/Side Mount Valve	1	1,430.00
9	20650510595	89280701	1.5" Valve Rotor with Spider Gasket	1	880.00
10	20650510600	02010002	O-Ring for Lid	1	150.00
11	20320511400	E190136	1.5" Body with Diffuser	1	2,530.00
12	20650510135	02020013	O-Ring for 1.5"Connector	3	150.00
13	20650510140	01013015	1.5" Connector (Black)	3	280.00
13	20650510145	01051013	1.5" Connector (White)	3	280.00
14	20320510195	02011003	O-Ring for 1.5" Adaptor	3	150.00
15	20650510150	01171153	1.5" Union (Imperial/Metric)	3	280.00
16	20650510155	01013017	1.5" Union Nut (Black)	3	280.00
16	20650510160	01051014	1.5" Union Nut (White)	3	280.00
17	20320511305	E190109	Connector for Pressure Gauge/Stopper	1	80.00
18	20650510180	89021307	Drain Plug With O-Ring	1	150.00
19	20320511020	06011029	Maximum 40PSI Indication, Stainless Steel Casing	1	990.00
20	20320510245	89280104	Sight Glass with O-Ring	1	150.00
21	20650510125	02011001	O-Ring for Diffuser	1	80.00
22	20320511405	919301022	MPV07 Upper Part	1	2,860.00

Note: item 22 include item 1-10