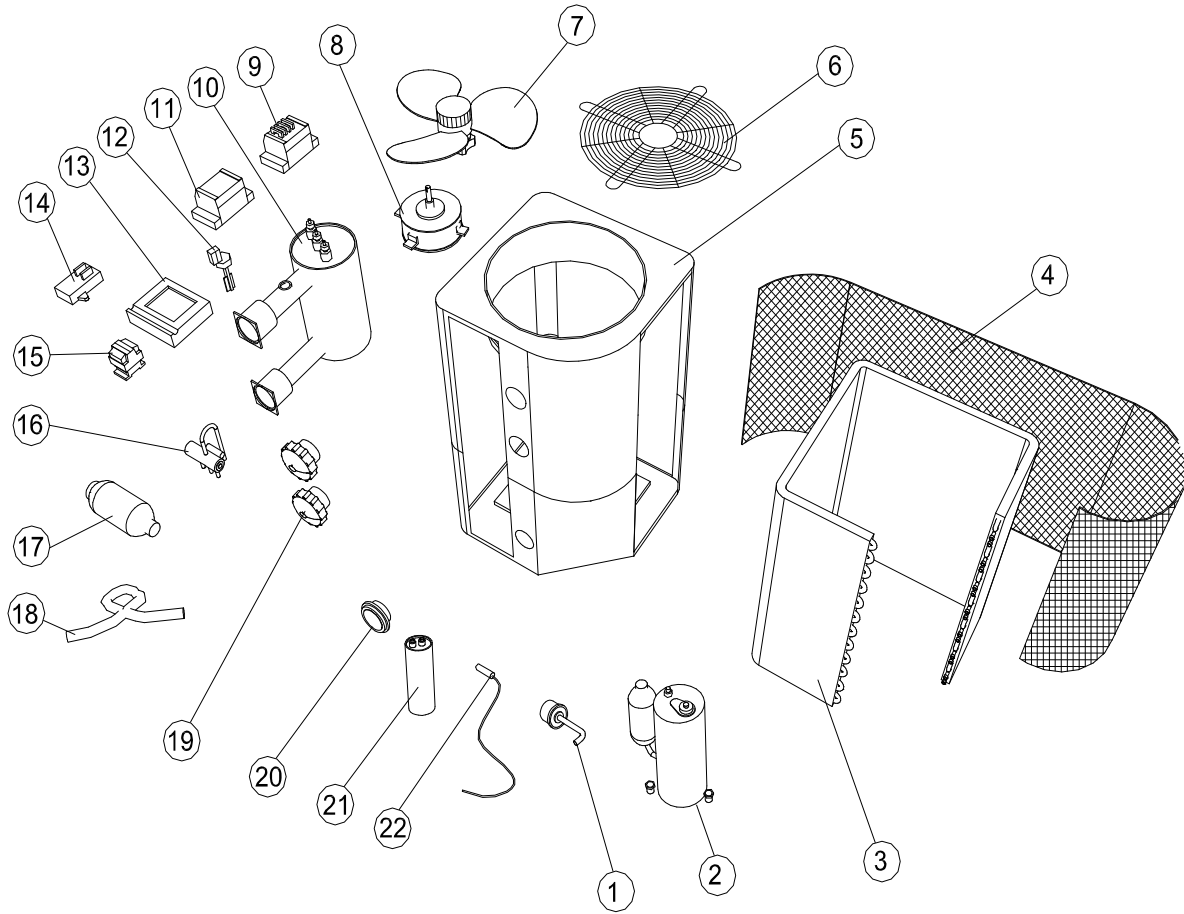


# HP-A SERIES HEAT PUMP REPLACEMENT PARTS

Parts of HP-A Models: HP14A / HP17A / HP21A / HP26A / HP35A / HP50A

[Back to Table of Content](#)



KEY NO.	POOLSPA CODES	PART NO.	DESCRIPTIONS	PIECE (S) REQUIRED	RETAIL PRICE 2024
1	21720510060	87990271	High Pressure Switch	1	1,500.00
1	21720510065	87990273	Low Pressure Switch	1	1,500.00
2	21720510205	87990256	Compressor (Sanyo C-SBN263H8A) for HP14A	1	117,000.00
2	21720510210	87990244	Compressor (Sanyo C-SBN303H8A) for HP17A	1	118,000.00
2	21720510215	87990241	Compressor (Sanyo C-SBN373H8A) for HP21A	1	121,000.00
2	21720510220	87990238	Compressor (Sanyo C-SBN453H8A) for HP26A	1	136,000.00
2	21720510225	87990233	Compressor (Sanyo C-SBN303H8A) for HP35A	2	118,000.00
2	21720510230	87990223	Compressor (Sanyo C-SBN453H8A) for HP50A	2	136,000.00
6	21720510325	114276818	Fan Mesh (HP14A - HP26A)		6,000.00
7	21720510235	87990259	Fan Leave - Type HP14A HP17A HP21A HP26A	1	6,000.00
7	21720510240	87990235	Fan Leave - Type HP35A HP50A	2	6,000.00
8	21720510245	87990261	Fan Motor YDK-160-6 (10000-DJ13) HP14A HP17A HP21A HP26A	1	23,000.00
9	21720510255	87990270	Chiller-300 ( Please specify the Barcode )	1	23,000.00
10	21720510260	87990257	Heat Exchanger (HP14A)	1	94,000.00
10	21720510265	87990245	Heat Exchanger (HP17A)	1	103,000.00
10	21720510270	87990243	Heat Exchanger (HP21A)	1	107,000.00
10	21720510275	87990239	Heat Exchanger (HP26A)	1	118,000.00
10	21720510280	87990234	Heat Exchanger (HP35A)	2	125,000.00
10	21720510285	87990224	Heat Exchanger (HP50A)	2	118,000.00
11	21720510290	87990240	Phase Sequence Protector YH5562 (HP26A HP35A HP50A)	1	28,000.00
12	21720510180	87990268	Water Flow Switch	1	5,000.00

13	21720510330	114213306	Controller Panel ( PCB Board )	1	11,000.00
13	21720510335	114215897	LCD Controller Panel	1	9,000.00
13	21720510340	3158500001	Plastic Case for LCD Controller Panel	1	3,000.00
14	21720510295	87990260	Fan Motor Capacitor 10000-DK19 6UF ( HP14A-26A 1 pc , HP35A-50A, 2pc)	1	1,000.00
15	21720510200	87990255	Single Phase AC Contactor 10000-KD46 for HP14A/HP17A/21A	1	4,000.00
15	21720510300	87990263	3 Phases AC Contactor 10000-DK47 for HP21A/HP26A/HP50A	1	5,000.00
16	21720510305	87990274	4-Way Valve ( Please specify the Barcode )	1	7,000.00
17	21720510310	87990209	Filter	1	1,000.00
19	21720510050	87990269	Water Connection	2	2,000.00
20	21720510055	87990258	Pressure Gauge (FOR COMPRESSOR)	1	3,000.00
21	21720510315	87990262	Compressor Capacitor 10000-DK34 60UF for HP14A / HP17A / HP21A	1	4,000.00
22	21720510185	87990266	Temperature Sensor (Copper) ( SINGLE PHASE HP14A , HP17A , HP21A )	4	1,200.00
22	21720510185	87990266	Temperature Sensor (Copper) ( THREE PHASE HP21A,HP26A )	6	1,200.00
22	21720510185	87990266	Temperature Sensor (Copper) for HP35A / HP50A	8	1,200.00
22	21720510190	87990267	Temperature Sensor (Plastic)	1	1,200.00

\*\*\*\*\*Key No. 3 , 4 , 5 , 18 are not available

\*\*\*\*\*LCD Controller Panel , Controller Panel(PCB BOARD) for Australia & New Zealand , please check with factory