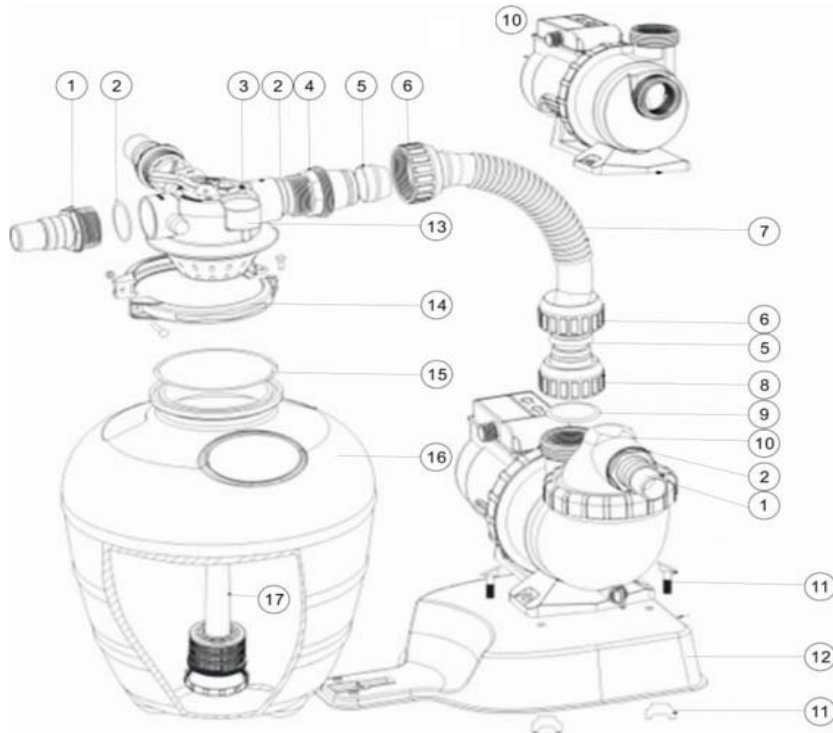


Parts of Ultra Models: FSU-8

[Back to Table of Content](#)



Key No.	Code	Part No.	Description	Piece(s) Required	RETAIL PRICE 2024
1	20710511170	01013051	32mm & 38mm Adaptor	3	250.00
2	20650510135	02020013	O-Ring for 1.5" Connector	4	150.00
3	20710511630	88281105B	4 Way 1.5" Top Mount Valve (Valve Only) (Black)	1	4,800.00
4	20710511635	01013047	Hose Adaptor	1	250.00
5	20320510955	02011026	Sleeve for Hose	2	250.00
6	20710511640	01013046	Nut for Hose	2	250.00
7	20710511645	01370011	Hose	1	490.00
8	20320510965	01013049	Hose Adaptor with Nut	1	250.00
9	20320510970	02011104	O-Ring for 1.5" Union	1	150.00
10	20700510240	88028401	AMU020TP AQUA-MINI Pump, 220V/50Hz	1	Refer to price list
10	20700510510	88028401	AMU020T AQUA-MINI Pump (with Timer & prefilter)	1	Refer to price list
10	20700510515	88027801	AMU020P AQUA-MINI Pump (with Pre-Filter)	1	Refer to price list
11	20710511660	89033601	Pump Assembly Screw	1	220.00
12	20710511665	01111105	Combo Base	1	900.00
13	20710511670	06021014	Plastic Pressure Gauge with O-Ring (28psi)	1	600.00
14	20710511675	89033602	Clamp Lock with Screws & Nut	1	500.00
15	20710511680	02010045	O-Ring	1	180.00
16	20710511685	01331061	13" Filter Tank	1	-
17	20710511690	89033603	Lateral Assembly with Center Pipe	1	800.00