

SPARE PART



FOLLOW US

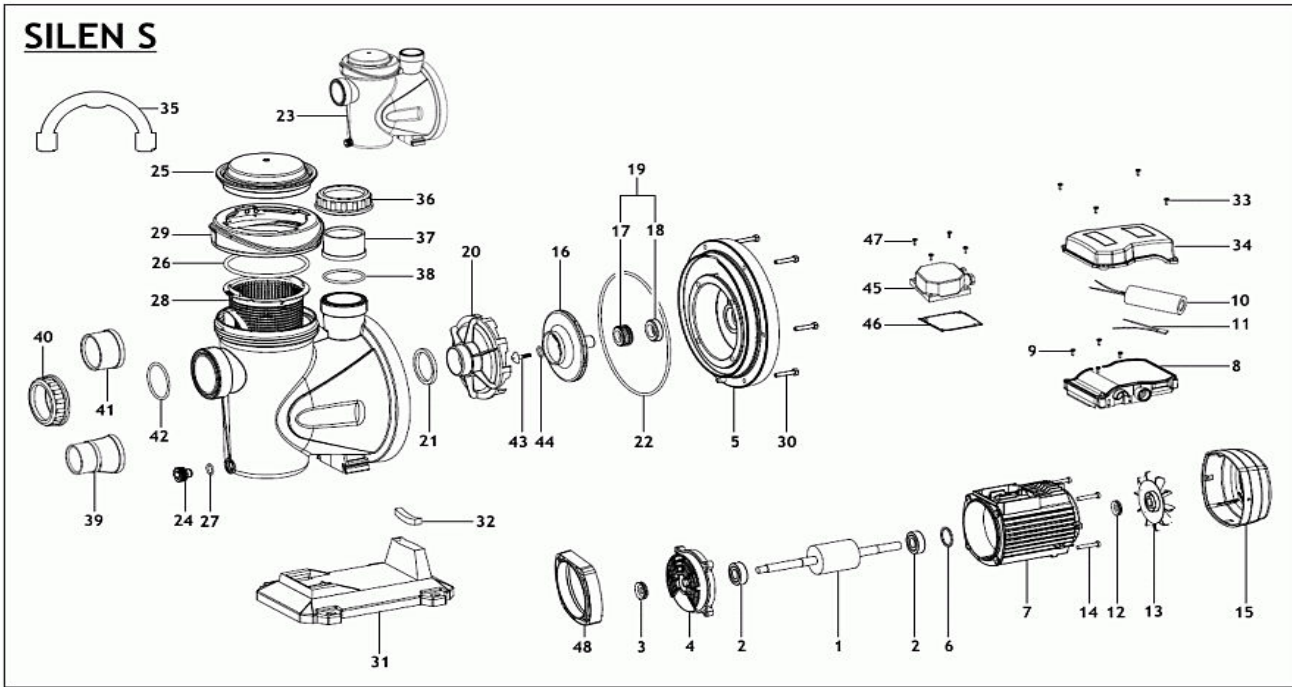
POOL & SPA THAILAND



WWW.POOLSPA.CO.TH

ESPA "ESPA" PUMPS - SILEN S SERIES

Parts of Model SILEN S SERIES



KEY NO.	POOLSPA CODES	MODEL	PARTNO.	DESCRIPTIONS	RETAIL PRICE 2023
1	20710531310	SILEN S 60 12 M	199032	CONJ. EX-RÒTOR SILEN 50M (AISI431)	4,600.00
1	20710530235	SILEN S 75 15 M	199034	CONJ. EX-RÒTOR SILEN 75M (AISI431)	4,900.00
1	20710530240	SILEN S 75 15	203259	CONJ. EX-RÒTOR SILEN 75TAISI431	4,600.00
1	20710530245	SILEN S 100 18 M	199036	CONJ. EX-RÒTOR SILEN 100M (AISI431)	5,200.00
1	20710530250	SILEN S 100 18	203261	CONJ. EX-RÒTOR SILEN 100TIE2 AISI431	4,500.00
1	20710530255	SILEN S 150 22 M	199038	CONJ. EX-RÒTOR SILEN 150M (AISI431)	7,400.00
1	20710530260	SILEN S 150 22	203363	CONJ. EX-RÒTOR SILEN 150TIE2 AISI431	6,000.00
2	20710530265	SILEN S	1963	Be a ring	830.00
3	20710530270	SILEN S	142699	Re ta in e r	140.00
4	20710530275	SILEN S	154835	Shie ld	2,700.00
5	20710530280	SILEN S	129420	Bra c ke t	2,400.00
6	20710530285	SILEN S	142381	Wa she r	140.00
7	20710530290	SILEN S 60 12 M	203293	Mo to r COMPLSILEN50M 10000h P2 R5021	-
7	20710530295	SILEN S 60 12	5491	Sta to r	-
7	20710530300	SILEN S 75 15 M	203361	Mo to r COMPLSILEN75M 10000h P2 R5021	-
7	20710530305	SILEN S 75 15	5493	Sta to r	-
7	20710530310	SILEN S 100 18 M	203298	Mo to r COMPLSILEN100M 10.000h P2 R5021	-
7	20710530315	SILEN S 100 18	5495	Sta to r	-
7	20710530320	SILEN S 150 22 M	203384	Mo to r COMPLSILEN150M 10000h P2 R5021	-
7	20710530325	SILEN S 150 22	44000094	Sta to r	-
8	20710530055	SILEN S M	133890	Bo x	700.00
9	20710530060	SILEN S M	1000119	Se re w	140.00
10	20710530330	SILEN S 60/75/100	189153	Ca pa ci to r	1,300.00
10	20710530335	SILEN S 150	189155	Ca pa ci to r	1,400.00
11	20710530340	SILEN S 60	10000244	Kli xo n	560.00
11	20710530345	SILEN S 75	10000241	Kli xo n	420.00

11	20710530350	SILEN S 100	14011	Klixo n	1,000.00
11	20710530355	SILEN S 150	10000153	Klixo n	560.00
12	20710530360	SILEN S	349	Re ta ine r	200.00
13	20710530365	SILEN S	1040	Fa n	-
14	20710530370	SILEN S	28	Sc re w	140.00
14	20710530375	SILEN S 150	1000044	Sc re w	140.00
15	20710530380	SILEN S	130122	Fa n Co ve r	280.00
16	20710530385	SILEN S 60 M	10484	Im pe lle r	1,700.00
16	20710530390	SILEN S 60	5846	Im pe lle r	2,200.00
16	20710530395	SILEN S 75 M	10485	Im pe lle r	1,400.00
16	20710530400	SILEN S 75	5847	Im pe lle r	2,200.00
16	20710530405	SILEN S 100 M	10486	Im pe lle r	1,700.00
16	20710530410	SILEN S 100	5848	Im pe lle r	1,700.00
16	20710530415	SILEN S 150 M	11000429	Im pe lle r	2,000.00
16	20710530420	SILEN S 150	11100429	Im pe lle r	2,200.00
17	20710530425	SILEN S	129906	Ro ta ry Se al	1,600.00
18	20710530430	SILEN S	414	Se al	1,700.00
19	20710530435	SILEN S	414	Me c ha ni c al Se al (414+129906)	3,100.00
20	20710530440	SILEN S 60/75	10429	Diffuse r	1,300.00
20	20710530445	SILEN S 100	10430	Diffuse r	1,300.00
20	20710530450	SILEN S 150	11000428	Diffuse r	1,300.00
21	20710530455	SILEN S	324	Gaske t	280.00
22	20710530460	SILEN S	391	O'Ring	280.00
23	20710530465	SILEN S	202999	CNJ. C O S B O M B A B I A U M A R S I N E G R E R A L 9 0 1 1	7,400.00
24	20710530175	SILEN S	10338	Phg	200.00
25	20710530470	SILEN S	1000457	Co ve r	1,300.00
26	20710530475	SILEN S	189284	O'Ring	280.00
27	20710530170	SILEN S	390	O'Ring	140.00
28	20710530480	SILEN S	11000820	Filter	830.00
29	20710530485	SILEN S	125561	Thre ad	700.00
30	20710530490	SILEN S	10	Sc re w	200.00
31	20710530495	SILEN S	10431	Fo ot	1,000.00
32	20710530185	SILEN S	6016	Shie nb lo c k	200.00
33	20710530200	SILEN S M	93	Sc re w	140.00
34	20710530205	SILEN S M	135136	Co ve r	420.00
35	20710530210	SILEN S	127995	Sp a n ne r	280.00
36	20710530215	SILEN S	10464	Nut	560.00
37	20710530220	SILEN S	10463	Unio n	280.00
38	20710530225	SILEN S	350	O'Ring	140.00
39	20710530500	SILEN S	127467	Unio n	280.00
40	20710530505	SILEN S	127465	Nut	420.00
41	20710530510	SILEN S	130146	Unio n	280.00
42	20710530515	SILEN S	399	O'Ring	140.00
43	20710530520	SILEN S T	5813	Sc re w	420.00
44	20710530525	SILEN S T	300	O'Ring	140.00
45	20710530530	SILEN S T	11100478	Bo x	560.00
46	20710530535	SILEN S T	122968	Gaske t	180.00
47	20710530540	SILEN S T	200630	Ca r g o 1 D I N 7 5 0 0 T O R X T 2 0 M 4 x 1 2 (A 2)	120.00
48	20710530545	SILEN S 150	12200030	Sp a c e r	2,800.00