

SPARE PART

 **Emaux**
water technology

FOLLOW US

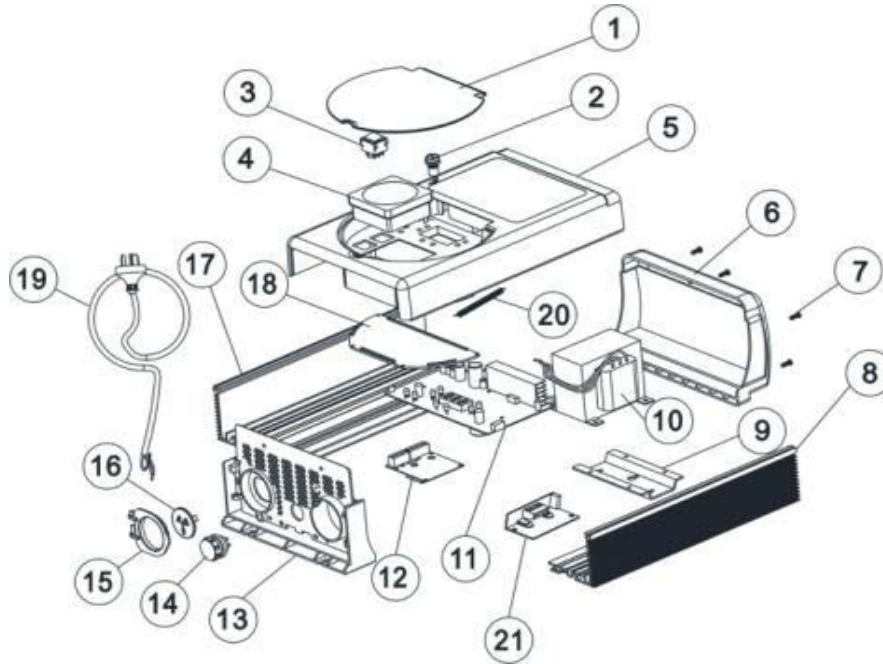
POOL & SPA THAILAND



WWW.POOLSPA.CO.TH

Parts of SSC Models: SSC 50-T - Version 5.6

[Back to Table of Content](#)



KEY NO.	POOLSPA CODES	PARTNO.	DESCRIPTIONS	PIECE(S) REQUIRED	RETAIL PRICE 2023
*12	20920510725	E130014	SSC 50 PCB Control Complete (Ver 5.6)	1	14,900.00
*13	20920510185	E130048	SSC 50 Silicon controlled combination (ver 1.5) with connection cable	1	4,500.00
*14	20920510265	E130042	EMC Board (without Light)(ver 2.0)	1	4,500.00
30	20920510585	E130009	Fuse carrier with fuse and cable for SSC 50 (Ver 5.6 or before) - Cylindrical Type	1	770.00