

# SPARE PART

 **Emaux**  
*water technology*

FOLLOW US

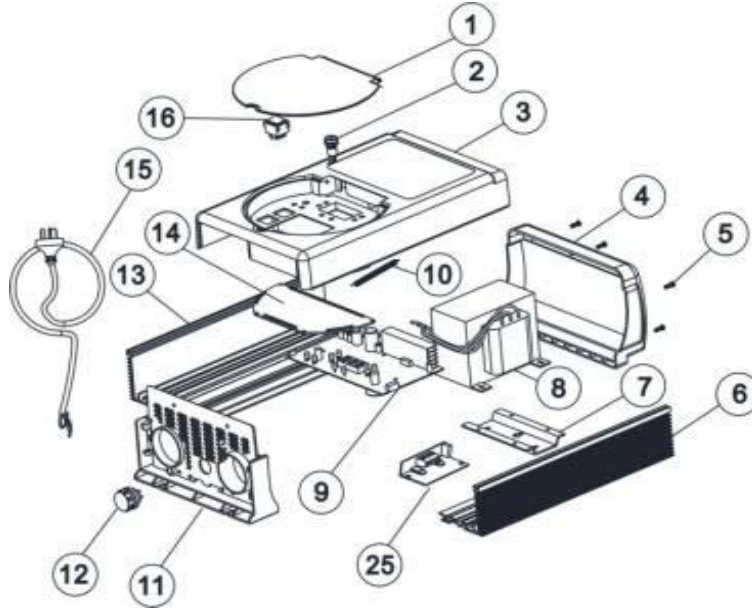
POOL & SPA THAILAND



[WWW.POOLSPA.CO.TH](http://WWW.POOLSPA.CO.TH)

## Parts of SSC Models: SSC 15-E / SSC 25-E - Version 5.6

[Back to Table of Content](#)



KEY NO.	POOL SPA CODES	PARTNO.	DESCRIPTIONS	PIECE(S) REQUIRED	RETAIL PRICE 2023
*9	20920510070	E130012	SSC 15 PCB Control Complete (Ver 5.6)	1	12,000.00
*9	20920510075	E130013	SSC 25 PCB Control Complete (Ver 5.6)	1	12,900.00
*25	20920510130	E130046	SSC 15 Silicon controlled combination(ver1.3) with connection cable	1	4,500.00
*25	20920510135	E130047	SSC 25 Silicon controlled combination(ver1.3) with connection cable	1	5,500.00

All 5.6 Version Serial number before

SAO-1910-W-271

SAO-1908-W-124

SAO-1907-W-xxx

SAO-1906-W-xxx

SAO-1905-W-xxx

etc .