

SPARE PART

 **Emaux**
water technology

FOLLOW US

POOL & SPA THAILAND

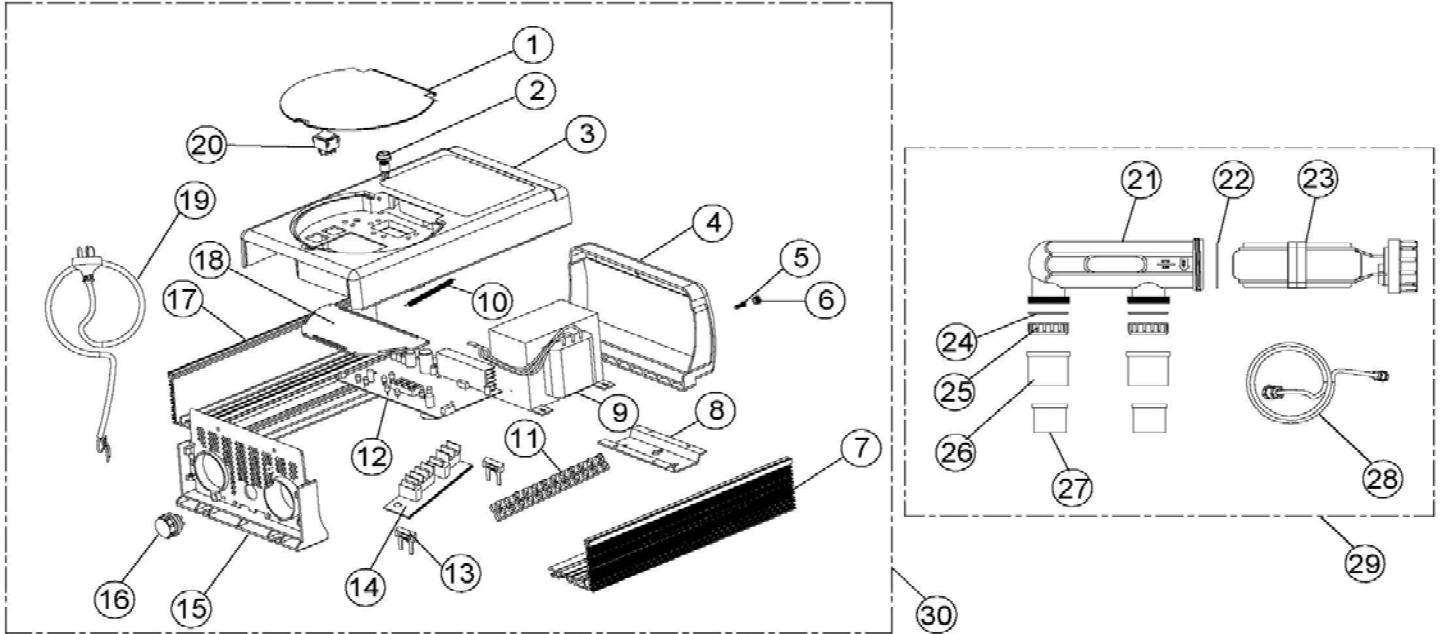


WWW.POOLSPA.CO.TH

SSC SERIES SALT CHLORINATOR REPLACEMENT PARTS

Parts of SSC Models: SSC 15-E / SSC 25-E / SSC 50-E - Version 5.6.2

[Back to Table of Content](#)



KEY NO.	POOLSPA CODES	PARTNO.	DESCRIPTIONS	PIECE(S) REQUIRED	RETAIL PRICE 2023
1	20920510530	530090442	Door Model	1	330.00
2	20920510535	E130011	Fuse Seat 2.5A SSC 15	1	390.00
2	20920510540	E130010	Fuse Seat 6.3A SSC 25/50	1	440.00
3	20920510545	530080442	SSC Lid	1	1,980.00
4	20920510550	530060442	Chlorinator Top Cover	1	880.00
5	20920510555	112002636	M4 x 10 Screw	30	55.00
6	20920510560	111212512	Plastic Caps for Chlorinator Top Cover	4	55.00
7	20920510565	116093340	Profile B	1	1,980.00
8	20920510570	116113342	Hanging Bracket	1	330.00
9	20920510210	106166313	Transformer for SSC 15	1	8,700.00
9	20920510215	106166314	Transformer for SSC 25	1	10,100.00
9	20920510220	106166315	Transformer for SSC 50	1	16,500.00
10	20920510575	112062661	Spring	1	170.00
11	20920510225	106271455	Terminal Jumper	1	330.00
*12	20920510230	E130030	SSC 15 PCB Control Complete (Ver 5.6.2)	1	12,900.00
*12	20920510235	E130031	SSC 25 PCB Control Complete (ver 5.6.2)	1	12,900.00
*12	20920510240	E130032	SSC 50 PCB Control Complete (ver 5.6.2)	1	14,900.00
*13	20920510580	106147653	Fuse 30A for SSC 50 (Ver 5.6.1 and 5.6.2) - Blade Type	2	290.00
*13	20920510585	E130009	Fuse carrier with fuse and cable for SSC 50 (Ver 5.6 or before) - Cylindrical Type	1	770.00
*14	20920510250	E130052	SSC 15 Silicon controlled combination (ver 1.5)	1	4,500.00
*14	20920510255	E130053	SSC 25 Silicon controlled combination (ver 1.5)	1	5,500.00
*14	20920510260	E130054	SSC 50 Silicon controlled combination (ver 1.7)	1	6,500.00
12+14	20920510785	E130061	SSC 15 PCB Complete Set (V5.6.2) including Silicon Control	1	12,000.00
12+14	20920510790	E130062	SSC 25 PCB Complete Set (V5.6.2) including Silicon Control	1	12,900.00
12+14	20920510795	E130063	SSC 50 PCB Complete Set (V5.6.2) including Silicon Control	1	14,900.00

15	20920510590	530100443	Bottom Panel Comp	1	650.00
16	20920510435	106481502	SP Power Point	1	1,320.00
17	20920510595	116093339	Profile A	1	1,980.00
18	20920510600	530070442	Fence Cover	1	180.00
19	21040510245	105021259	Cable with Euro Plug	1	990.00
19	20920510455	105011249	Cable with Australian Plug	1	990.00
20	20920510605	106171404	Switch IO 250VAC/6A	1	280.00
21	20920510610	530040442	Cell Ho using	1	2,900.00
22	20920510615	111192492	O-Ring for Ho using	1	150.00
23	20920510150	8050018	Replacement Cells for SSC 15 .	1	19,900.00
23	20920510155	8050019	Replacement Cells for SSC 25 & SSC 50	1	29,900.00
24	20650510220	111202472	O-Ring for Union	2	110.00
25	20650510275	430170991	2.0" Union Nut	2	280.00
26	20650510270-1	430300989	2.0" Union (A/E)	2	280.00
27	20920510160	430300943	1.5" Union	2	150.00
28	20920510620	9130021	SSC 15 \ SSC 25 Salt Chlorinator Cable	1	4,500.00
29	20920510625	9130022	Complete Cell kits for SSC 15 (with cable)	1	-
29	20920510630	9130023	Complete Cell kits for SSC 25&SSC 50, SSC one (with cable)	1	-
30	20920510635	9130024	SSC 15-E Control Unit	1	-
30	20920510640	9130025	SSC 25-E Control Unit	1	-
30	20920510645	9130026	SSC 50-E Control Unit	1	-

Notes: 12, 14 For PCB Control Complete, Silicon controlled combination and EMC Board, there are different versions, please follow below tables:

All 5.6.2 Version Serial number from

SAO-1911-W-209

SAO-1912-W-xxx

SAO-2001-W-xxx

SAO-2002-W-xxx

SAO-2003-W-xxx

etc.

	PCB Control Complete(Ver5.6.2)		Silicon Controlled Combination		EMC Board(With/Without Light)	
A	Product Code	Version	Product Code	Version	Product Code	Version
SSC15E	E130030	Ver5.6.2	E130052	Ver1.5	N/A	N/A
SSC15T	E130030	Ver5.6.2	E130052	Ver1.5	E130042	Ver2.0
SSC15TLT	E130030	Ver5.6.2	E130052	Ver1.5	E130041	Ver2.0
SSC25E	E130031	Ver5.6.2	E130053	Ver1.5	N/A	N/A
SSC25T	E130031	Ver5.6.2	E130053	Ver1.5	E130042	Ver2.0
SSC25TLT	E130031	Ver5.6.2	E130053	Ver1.5	E130041	Ver2.0
SSC50E	E130032	Ver5.6.2	E130054	Ver1.7	N/A	N/A
SSC50T	E130032	Ver5.6.2	E130054	Ver1.7	E130042	Ver2.0

	PCB Control Complete(Ver5.6.1)		Silicon Controlled Combination		EMC Board(With/Without Light)	
B	Product Code	Version	Product Code	Version	Product Code	Version
SSC15E	E130027	Ver5.6.1	E130049	Ver1.4	N/A	N/A
SSC15T	E130027	Ver5.6.1	E130049	Ver1.4	E130042	Ver2.0
SSC15TLT	E130027	Ver5.6.1	E130049	Ver1.4	E130041	Ver2.0
SSC25E	E130028	Ver5.6.1	E130050	Ver1.4	N/A	N/A
SSC25T	E130028	Ver5.6.1	E130050	Ver1.4	E130042	Ver2.0
SSC25TLT	E130028	Ver5.6.1	E130050	Ver1.4	E130041	Ver2.0
SSC50E	E130029	Ver5.6.1	E130051	Ver1.6	N/A	N/A
SSC50T	E130029	Ver5.6.1	E130051	Ver1.6	E130042	Ver2.0

	PCB Control Complete(Ver5.6)		Silicon Controlled Combination		EMC Board(With/Without Light)	
C	Product Code	Version	Product Code	Version	Product Code	Version
SSC15E	E130012	Ver5.6	E130046	Ver1.3	N/A	N/A
SSC15T	E130012	Ver5.6	E130046	Ver1.3	E130042	Ver2.0
SSC15TLT	E130012	Ver5.6	E130046	Ver1.3	E130041	Ver2.0
SSC25E	E130013	Ver5.6	E130047	Ver1.3	N/A	N/A
SSC25T	E130013	Ver5.6	E130047	Ver1.3	E130042	Ver2.0
SSC25TLT	E130013	Ver5.6	E130047	Ver1.3	E130041	Ver2.0

SSC50E	E130014	Ver5.6	E130048	Ver1.5	N/A	N/A
SSC50T	E130014	Ver5.6	E130048	Ver1.5	E130042	Ver2.0
	PCB Control Complete(Ver5.4)		Silicon Controlled Combination		EMC Board(With/Without Light)	
D	Product Code	Version	Product Code	Version	Product Code	Version
SSC15E	E130007	Ver5.4	E130043	Ver1.2	N/A	N/A
SSC15T	E130007	Ver5.4	E130043	Ver1.2	E130040	Ver1.8
SSC15TLT	E130007	Ver5.4	E130043	Ver1.2	E130039	Ver1.8
SSC25E	E130002	Ver5.4	E130044	Ver1.2	N/A	N/A
SSC25T	E130002	Ver5.4	E130044	Ver1.2	E130040	Ver1.8
SSC25TLT	E130002	Ver5.4	E130044	Ver1.2	E130039	Ver1.8
SSC50E	E130001	Ver5.4	E130045	Ver1.4	N/A	N/A
SSC50T	E130001	Ver5.4	E130045	Ver1.4	E130040	Ver1.8