

2022
/2565

SPARE PART

Naked 
Freshwater Pool Systems



FOLLOW US

POOL & SPA THAILAND

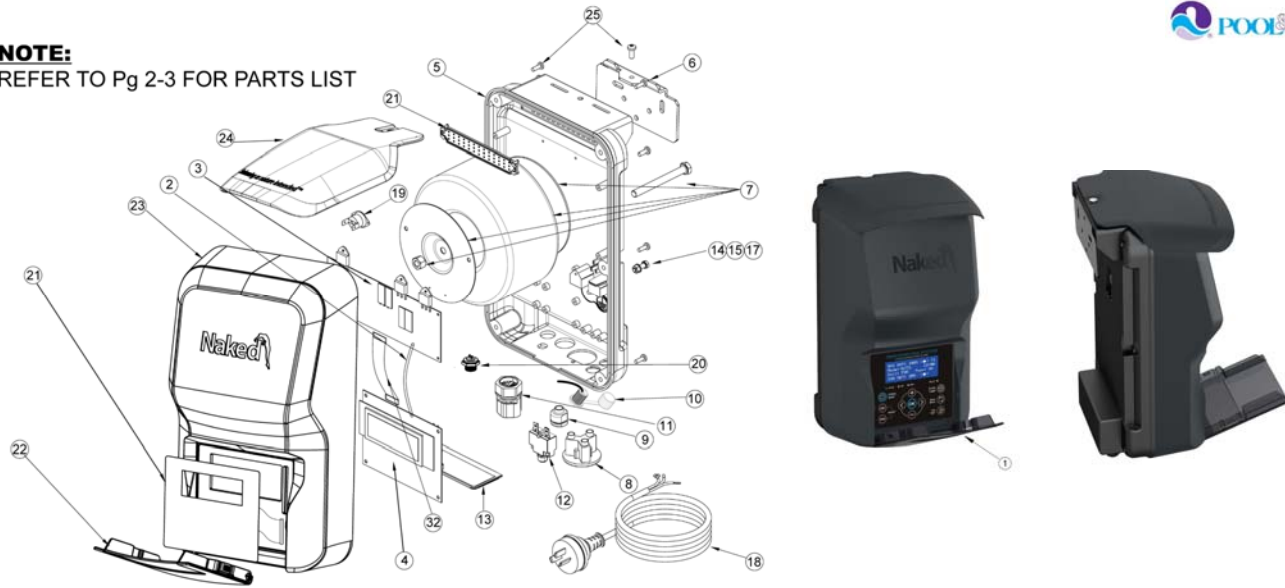


WWW.POOLSPA.CO.TH

Parts of Model NKD1 - Power Pack



NOTE:
REFER TO Pg 2-3 FOR PARTS LIST



CONTROL UNIT

Update 7/6/2022

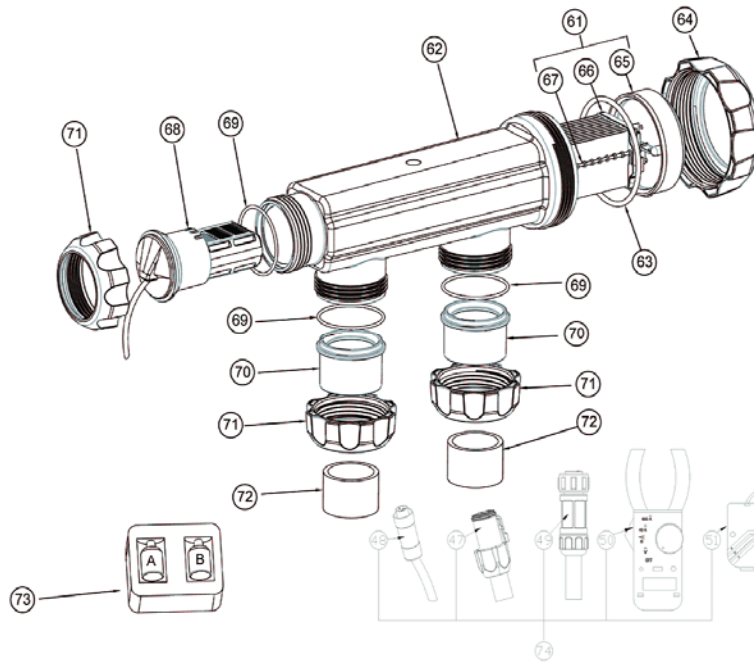
KEY NO.	POOLSPA CODES	PART NO.	DESCRIPTIONS	RETAIL PRICE 2022
1	20711420005	NKD1-PP	NKD1 Freshwater System Power Pack only	69,000.00
2	20711420010	N00895	Wire Loom SL-12 - Multi PCB TB-GND Pin 1 to LCD PCB RB-GND Pin 1 BLACK	300.00
3	20711420040	N00693-1	NKD Main Triac & Ioniser PCB	22,300.00
4	20711420045	N00496-N	NKD LCD Display PCB	18,300.00
5	20711420050	N00356	Aluminium Chassis	11,400.00
6	20711420055	N00453-2	NKD Mounting Bracket	2,200.00
7	20711420060	N00023-2	Transformer 312VA for all Models	18,300.00
8	20711420065	N00498	AC Socket Round	2,200.00
9	20711420070	N00869	Grommet Cable Strain Relief Bush	120.00
10	20711420075	N01078	NKD Power Pack Programming Plug with Internal Cable	2,300.00
11	20711420080	N00488	Oxidiser Plug SL-10 Male End Complete with Power Supply Looms	4,500.00
12	20711420085	N00018-2	Circuit Breaker 3amp with 6.3mm push on	2,200.00
13	20711420270	N01150	NKD Bottom Vent Cover - Charcoal	900.00
14	20711420110	N00478	Earth Screw M5 S/S	60.00
15	20711420115	N00640	Earth Washer M5 S/S	60.00
17	20711420120	N00049	Internal Tooth Washer for Earth M5 S/S	60.00
18	20711420125	N00011	Power Cord-Au	1,850.00
19	20711420130	N00027-1	Thermostat 100degC	920.00
20	20711420135	N00883	Ioniser Plug SL-13 Female End Complete with 2 x SL-09 Wire Looms	3,300.00
21	20711420275	N00870-3	NKD Membrane Sticker - 2020	5,900.00
22	20711420280	N01149	NKD Acrylic Front Flap - 2022	1,500.00
23	20711420285	N01148	NKD Front Cover - Charcoal	4,900.00
24	20711420290	N01151	NKD Weather Shield - Charcoal	1,500.00
25	20711420295	N00053-3	Screw M4 x 16 SS (Front Cover & Bracket)	-

PARTS AND COMPONENTS (Not shown in schematic)

KEY NO.	POOLSPA CODES	PART NO.	DESCRIPTIONS	RETAIL PRICE 2022
26	20711420140	N00047	Washer 37x37x2.5 Zink Plated	230.00
27	20711420145	N00207	Wire Loom SL-01 - CB LOAD to Transformer Active BROWN	460.00
28	20711420150	N00223	Wire Loom SL-02 - AC Socket N to PCB N BLUE	460.00
30	20711420155	N00224	Wire Loom SL-03 - AC Socket L to PCB PUMP-L BROWN	460.00
31	20711420160	N00348	Wire Loom SL-04 - Circuit Breaker LINE to PCB A BROWN	460.00
32	20711420165	N00485	Wire Loom SL-11 - Ribbon Cable with RED line and Header Sockets	460.00

33	20711420170	N00008	Wire Loom CC-05 - Earth Wire	230.00
34	20711420175	N00036	Cable Tie 3mm	60.00
35	20711420180	N00560	Green Wall Plugs	60.00
36	20711420185	N00217	Screw Self Tapping M5x25 SS (Wall)	60.00
37	20711420190	N00052	Screw M3x6 SS (Triac Connection and PCB)	60.00
38	20711420195	N00067	NKD Power Supply Carton Box	700.00

Parts of Model NKD1 - Electrode Cell



ELECTRODE CELL PARTS

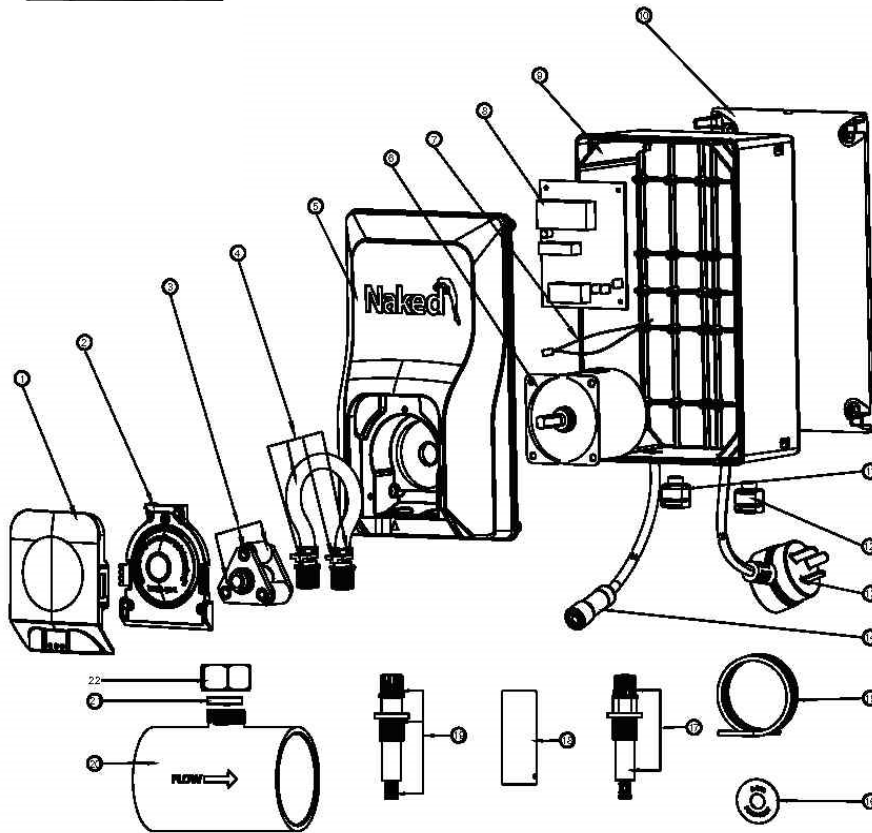
Update 7/6/2022

KEY NO.	POOLSPA CODES	PART NO.	DESCRIPTIONS	RETAIL PRICE 2022
61	20701420030	NKD-OXI-CELL	NKD Oxidiser Electrode	34,900.00
61	20701420035	NKD-OXI-CELL-C	NKD Commercial Oxidiser Electrode	64,900.00
62	20711420215	N00379	NKD Housing 3 Way - Smokey	7,500.00
63	20711420220	N00460-1S	NKD1 Housing O'Ring	400.00
64	20711420225	N00380	NKD Oxidiser Electrode Cap Locking Ring	1,800.00
65	20711420230	N/A	NKD1 Oxidiser Electrode Cap (factory fitted only)	N/A
66	20711420235	N00530	Oxidiser Clip 11 Plate BLUE	460.00
66	20711420240	N00665-2	Oxidiser Clip 15 Plate BLUE	460.00
67	20711420245	N00322	Oxidiser Clip Spacer Rod BLUE	460.00
68	20701420220	NKD2	NKD2 Mineral Anodes	13,900.00
69	20711420250	N00461-1	NKD1 Adaptor Tail O'Ring	460.00
70	20711420255	N00382	NKD Housing Adaptor Tail	920.00
71	20711420260	N00381	NKD Housing Nut Small	1,100.00
72	20711420265	N00670-1	PVC Reducing Bush 50x40mm	400.00

ACCESSORIES

KEY NO.	POOLSPA CODES	PART NO.	DESCRIPTIONS	RETAIL PRICE 2022
47	20711420300	N01038	NKD Electrode Test Lead	-
48	20711420305	N01039	NKD Ioniser Test Lead	-
49	20711420310	N01079	NKD Software Programming Cable	-
50	20711420315	N00198	Multimeter (with clamp on DC amp meter)	-
51	20711420320	N01058	NKD Software Programmer	-
73	20701420015	NKD-CTK	NKD Copper Test Kit	2,500.00
74	20711420325	NKDSK	NKD Service Kit (inc. 47, 48, 49, 50, 51)	-

Parts of Model NKD-pH Controller



CONTROLLER

Update 7/6/2022

KEY NO.	POOLSPA CODES	PART NO.	DESCRIPTIONS	RETAIL PRICE 2022
1	20711420330	N01412	NKD-pH	-
2	20711420335	N01411	NKD-pH	-
3	20711420340	N01353	NKD-pH Tri Roller Block (assembled)	1,500.00
4	20711420345	N01355	NKD-pH Squeeze Tube c/w Barb Adapters, tube Clamps & Lube	2,900.00
5	20711420350	N01410	NKD-pH Charcoal Front Cover	-
6	20711420355	N01357	NKD-pH Motor	-
7	20711420360	N01399	NKD-pH Wire Loom - LED Electronic Connection Cable	-
8	20711420365	N01362	NKD-pH Controller PCB	8,900.00
9	20711420370	N00302	NKD-pH Controller Box	-
10	20711420375	N00306	NKD-pH Controller Box Wall Bracket	1,900.00
11	20711420380	N00869-1	NKD-pH Grommet 5P-4 Cable Strain Relief Bush	-
12	20711420385	N00410	NKD-pH Power Cord	-
13	20711420390	N01364	NKD-pH Power Cord c/w Piggy Back Socket	-
14	20711420395	N01352	NKD-pH Signal Cable	-
15	20711420400	N01360	NKD-pH Clear PVC Flexible Tube (6m)	900.00
16	20711420405	N01361	NKD-pH Acid Drum Label	-
17	20711420410	N01368	NKD-pH Suction Valve c/w Tube Nut	1,200.00
18	20711420415	N01350	NKD-pH Drum Weight	1,100.00
19	20711420420	N01367	NKD-pH Suction Valve c/w Tube Nut	1,200.00
20	20711420425	N01185	NKD-pH Clear Tee	1,900.00
21	20711420430	N01186	NKD-pH Injector Valve O'Ring	800.00
22	20711420435	N01365	NKD-pH Lock Nut - Black	1,100.00