

2022
/2565

SPARE PART

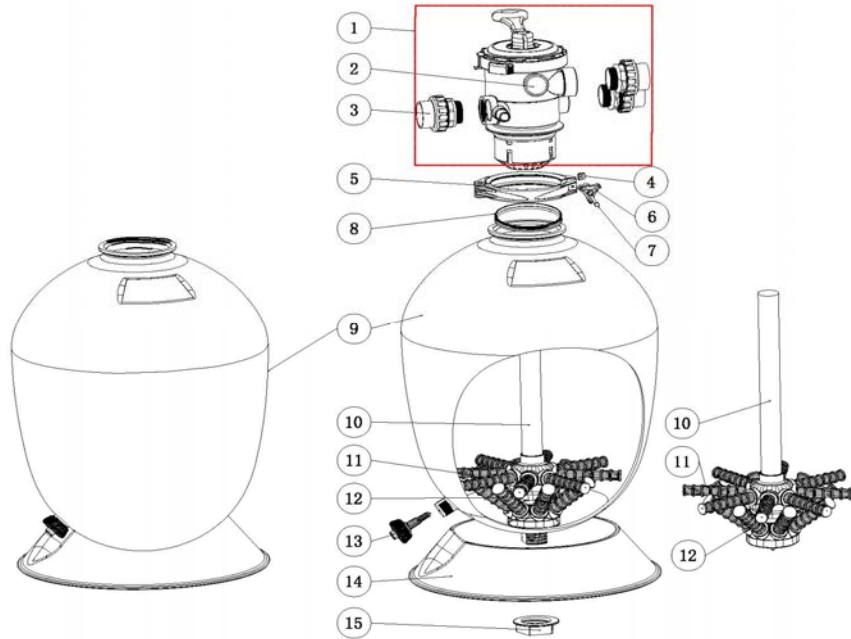
 **Emaux**
water technology

FOLLOW US

POOL & SPA THAILAND



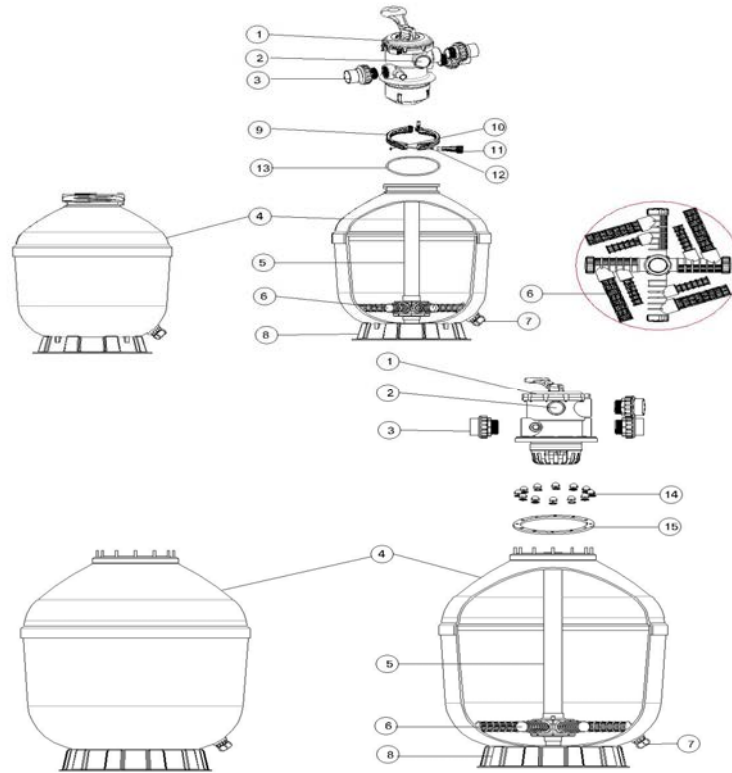
WWW.POOLSPA.CO.TH



KEY NO.	POOLSPA CODES	PART NO.	DESCRIPTIONS	PIECE (S) REQUIRED	RETAIL PRICE 2022
1		88281550B	6 Way 1.5" Top Mount Valve (Black)	1	6,300.00
1		88281551B	6 Way 2" Top Mount Valve (Black)	1	8,800.00
2	20710511695	06011031	Maximum 100PSI Indication, Stainless Steel Casing	1	800.00
2	20320511305	E190109	Connector for Pressure Gauge/Stopper	1	60.00
3		89280102B	1.5" union set (Black) with O-ring	3	Refer to price list
3		89280102W	1.5" union set (White) with O-ring	3	Refer to price list
3		89280103B	2" union set (Black) with O-ring	3	Refer to price list
3		89280103W	2" union set (White) with O-ring	3	Refer to price list
4	20320510015	03021035	M6 Nut	1	120.00
5	20320510020	89012512	Clamp Kit	1	1,300.00
6	20320510025	01111101	Star-Shaped Nut	1	120.00
7	20320510030	112000017	M6x125mm Screws	1	170.00
8	20710511700	111000016	O-Ring	1	140.00
9	20710511705	E010501	Filter Tank for T450 with base	1	-
9	20710511710	E010502	Filter Tank for T500 with base	1	-
9	20710511715	E010503	Filter Tank for T600/T600B with base	1	-
9	20710511720	E010504	Filter Tank for T700/T700B with base	1	-
10	20710511725	E010118	Lateral Assembly with Center Pipe for T450	1	900.00
10	20710511730	E010119	Lateral Assembly with Center Pipe for T500	1	1,000.00
10	20710511735	E010120	Lateral Assembly with Center Pipe for T600	1	1,000.00
10	20710511740	E010121	Lateral Assembly with Center Pipe for T700	1	1,150.00
10	20710511745	E010122	Lateral Assembly with Center Pipe for T600B	1	1,150.00
10	20710511750	E010123	Lateral Assembly with Center Pipe for T700B	1	1,300.00
11	20320510110	01172007	Laterals (115mm) for T450/T500/T600/T700	8	120.00
11	20710511755	01173078	Laterals (148mm) for T600B/T700B	8	120.00
12	20320510115	01172008	Laterals (126mm) for T450/T500/T600/T700/T600B/T700B	8	120.00
13	20710511760	E010024	Water Drain Set for T Series	1	170.00
14	20710511765	01112133	Filter Base T450/T500	1	1,600.00
14	20710511770	01112134	Filter Base T600/T700/T600B/T700B	1	2,300.00
15	20710511775	01018066	Nut for Filter Base	1	140.00

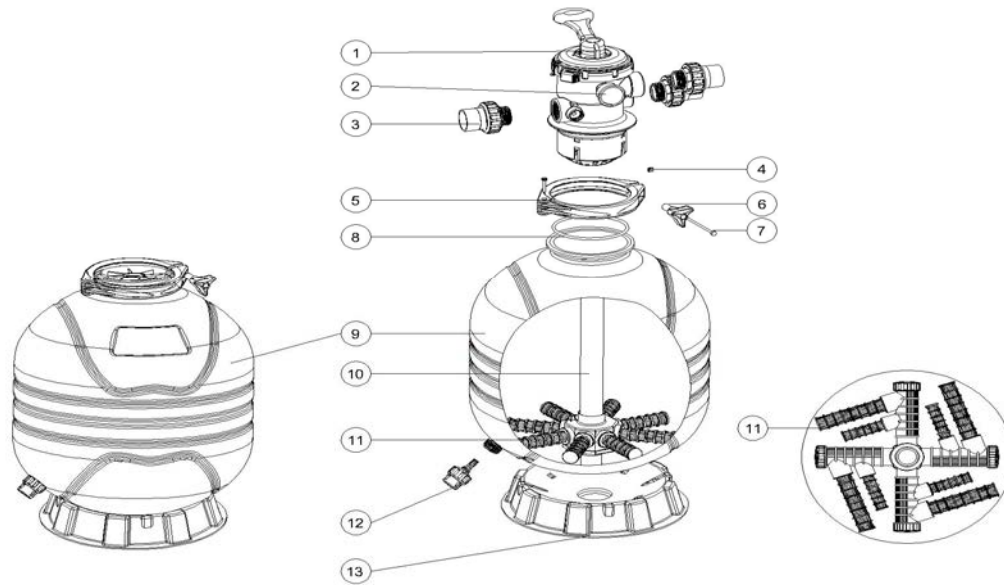
Notes: T450/T500/T600/T700 should have 8pcs of lateral (115mm) and 8pcs of lateral (126mm)

T600B/T700B should have 8pcs of lateral (148mm) and 8pcs of lateral (126mm)



Ver: 200627

KEY NO.	POOLSPA CODES	PART NO.	DESCRIPTIONS	PIECE (S) REQUIRED	RETAIL PRICE 2022
1		88281550B	6 Way 1.5" Valve (Black) with union set x 2, sight glass union x 1 and pressure gauge	1	Refer to price list
1		88281551B	6 Way 2" Valve (Black) for TMG650(B) (with 3 sets Union and pressure gauge)	1	Refer to price list
1		88280356B	6 Way 2" Top Mount Bolt Type Multiport Valve(Black) for TMG750 / TMG900 (with 3 sets Union and pressure gauge)	1	Refer to price list
2		06011029	Maximum 40PSI Indication, Stainless Steel Casing	1	Refer to price list
3		89280102B	1.5" union set (Black) with O-ring	3	Refer to price list
3		89280103B	2" union set (Black) with O-ring	3	Refer to price list
4	20320511210	89010657	Filter tank with base for TMG500	1	-
4	20320511215	89010658	Filter tank with base for TMG650&TMG650B	1	-
4	20320511230	89010660	Filter tank with base for TMG750	1	-
4	20320511235	89010661	Filter tank with base for TMG900	1	-
5	20320511240	89010662	Filter tube with filter element for TMG500	1	650.00
5	20320511245	89010663	Filter tube with filter element for TMG650	1	760.00
5	20320511250	89010664	Filter tube with filter element for TMG650B	1	760.00
5	20320511255	89010665	Filter tube with filter element for TMG750	1	900.00
5	20320511260	89010666	Filter tube with filter element for TMG900	1	1,550.00
6	20320510110	01172007	Laterals (115mm) for TMG500	8	130.00
6	20320510115	01172008	Laterals(126mm) TMG650	8	130.00
6	20320511285	E0011810	Laterals (115mm+ 185mm) for TMG650B	4	250.00
6	20320510120	01172010	Laterals (185mm) for TMG750	8	220.00
6	20320510305	01172011	Laterals (233mm) for TMG900	8	220.00
7	20320510125	89011601	Water Drain Set	1	380.00
8	20320511290	4104024838	Filter Base(D500*89) for TMG650 TMG650B TMG750	1	1,800.00
8	20320511295	4104024837	Filter Base(D390*73) for TMG500	1	1,100.00
8	20320511300	4104020763	Filter Base(D500*89) for TMG900	1	3,000.00
9	20320510015	03021035	M6 Nut	1	130.00
10	20320510020	89012512	Clamp Kit	1	1,300.00
11	20320510025	01111101	Star-Shaped Nut	1	130.00
12	20320510030	03011166	M6x110mm Screws	1	250.00
13	20320510035	02010007	O-Ring	1	250.00
14	20320511200	89010601	Nut with washer	12	130.00
15	20320510250	02011126	Filter Neck Gasket	1	500.00

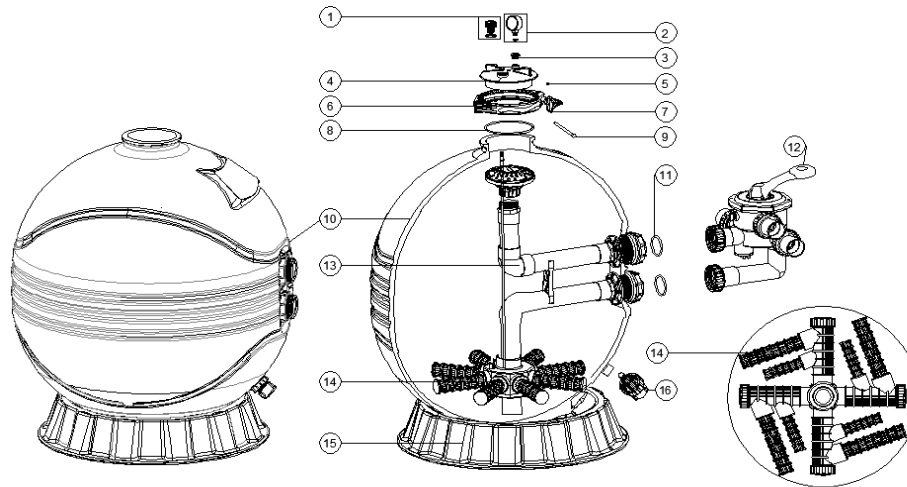


KEY NO.	POOLSPA CODES	PART NO.	DESCRIPTIONS	PIECE (S) REQUIRED	RETAIL PRICE 2022
1		88281550B	6 Way 1.5" Valve with 1.5" union set x 3 and pressure gauge (Black)	1	Refer to price list
1		88281551B	6 Way 2" Valve with 2" union set x 3 and pressure gauge (Black)	1	Refer to price list
2	20320510005	06021013	Plastic Pressure Gauge with O-Ring	1	Refer to price list
2	20320510010	01111048	Connector for Pressure Gauge/Stopper	1	Refer to price list
3		89280102B	1.5" union set (Black) with O-ring	3	Refer to price list
3		89280102W	1.5" union set (White) with O-ring	3	Refer to price list
3		89280103B	2" union set (Black) with O-ring	3	Refer to price list
3		89280103W	2" union set (White) with O-ring	3	Refer to price list
4	20320510015	03021035	M6 Nut	1	130.00
5	20320510020	89012512	Clamp Kit	1	1,300.00
6	20320510025	01111101	Star-Shaped Nut	1	130.00
7	20320510030	112000017	M6x110mm Screws	1	250.00
8	20320510035	02010007	O-Ring	1	250.00
9	20320510040	89012501	Filter Tank for MFV17	1	-
9	20320510045	89012502	Filter Tank for MFV20	1	-
9	20320510050	89012503	Filter Tank for MFV24	1	-
9	20320510055	89012504	Filter Tank for MFV27/MFV27A	1	-
9	20320510060	89012505	Filter Tank for MFV31/ MFV31A	1	-
9	20320510065	89012506	Filter Tank for MFV35	1	-
10	20320510070	89012507	Lateral Assembly with Center Pipe for MFV17	1	630.00
10	20320510075	89012508	Lateral Assembly with Center Pipe for MFV20	1	760.00
10	20320510080	89012509	Lateral Assembly with Center Pipe for MFV24	1	760.00
10	20320510085	89012510	Lateral Assembly with Center Pipe for MFV27A	1	900.00
10	20320510090	89012513	Lateral Assembly with Center Pipe for MFV27	1	1,550.00
10	20320510095	89012511	Lateral Assembly with Center Pipe for MFV31A	1	1,000.00
10	20320510100	89012514	Lateral Assembly with Center Pipe for MFV31	1	1,150.00
10	20320510105	89012515	Lateral Assembly with Center Pipe for MFV35	1	1,300.00
11*	20320510110	01172007	Laterals (115mm)	*	130.00
11*	20320510115	01172008	Laterals (126mm)	*	130.00
11*	20320510120	01172010	Laterals (185mm)	*	250.00
12	20320510125	89011601	Water Drain Set	1	380.00
13	20320510130	01111059	16-21inch Filter Base	1	760.00
13	20320510135	01111062	21-28inch Filter Base	1	1,800.00
13	20320510140	01112037	31-35inch Filter Base	1	2,200.00

Notes: 11* MFV17 should have 8pcs of Lateral (115mm)

11* MFV20/ MFV24/ MFV27A should have 8pca of Lateral (126mm)

11* MFV27/ MFV31/ MFV35 should have 4pcs of lateral (115mm) and 4pcs of lateral (185mm)



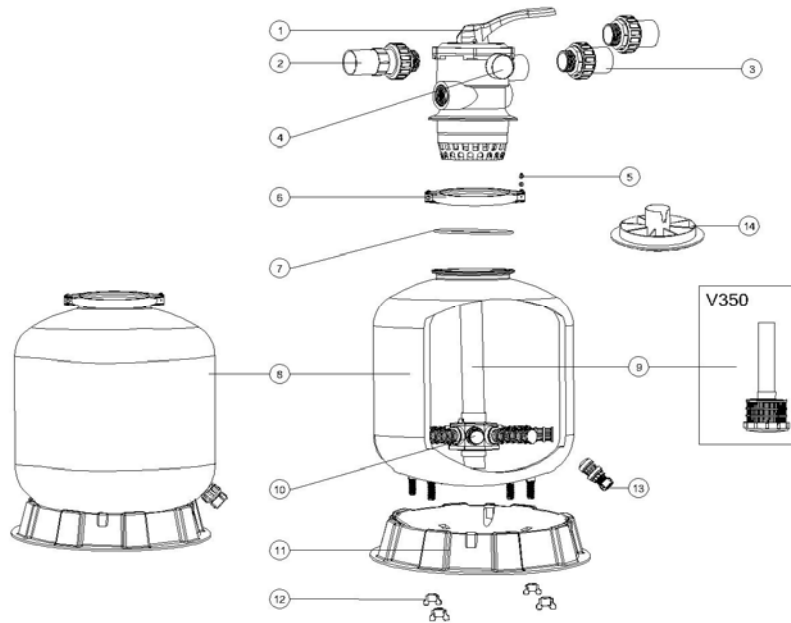
KEY NO.	POOLSPA CODES	PART NO.	DESCRIPTIONS	PIECE (S) REQUIRED	RETAIL PRICE 2022
1	20320510145	89010701	Air Release Valve with Oring	1	230.00
2	20320511540	06011032	Maximum 40PSI Indication, Stainless Steel Casing	1	490.00
3	20320511305	E190109	Connector for Pressure Gauge/Stopper	1	60.00
4	20320510150	01201022	Lid (Transparent)	1	1,300.00
5	20320510015	03021035	M6 Nut	1	130.00
6	20320510020	89012512	Clamp Kit	1	1,300.00
7	20320510025	01111101	Star-Shaped Nut	1	130.00
8	20320510035	02010007	O-Ring	1	260.00
9	20320510030	112000017	M6x110mm Screws	1	260.00
10	20320510155	89012606	17" Tank Assembly	1	-
10	20320510160	89012607	20" Tank Assembly	1	-
10	20320510165	89012608	24" Tank Assembly	1	-
10	20320510170	89012609	27" Tank Assembly for MFS27A	1	-
10	20320510175	89012620	27" Tank Assembly for MFS27	1	-
10	20320510180	89012610	31" Tank Assembly for MFS31A	1	-
10	20320510185	89012621	31" Tank Assembly for MFS31	1	-
10	20320510190	89012622	35" Tank Assembly	2	-
11	20320510195	02011003	O-Ring for 1.5" adaptor	2	130.00
11	20650510220	111202472	O-Ring for 2" Connector	1	170.00
12*		88280805	1.5" Side Mount Valve (Black or White Colour) for MFS17/MFS20/MFS24/MFS27A/MFS31A	1	Refer to price list
12*		88280812B	2" Side Mount Valve (Black or White Colour) for MFS27/MFS31/MFS35	1	Refer to price list
13	20320510205	89012601	The Inner Tank System for MFS17	1	2,200.00
13	20320510210	89012602	The Inner Tank System for MFS20	1	2,200.00
13	20320510215	89012603	The Inner Tank System for MFS24	1	2,300.00
13	20320510220	89012604	The Inner Tank System for MFS27A	1	2,700.00
13	20320510225	89012605	The Inner Tank System for MFS31A	1	3,700.00
13	20320510230	89012617	The Inner Tank System for MFS27	1	4,600.00
13	20320510235	89012618	The Inner Tank System for MFS31	1	5,500.00
13	20320510240	89012619	The Inner Tank System for MFS35	-	5,700.00
14	20320510110	01172007	Laterals (115mm)	-	130.00
14	20320510115	01172008	Laterals (126mm)	-	130.00
14	20320510120	01172010	Laterals (185mm)	1	250.00
15	20320510130	01111059	16-18inch Filter Base	1	760.00
15	20320510135	01111062	21-28inch Filter Base	1	1,800.00
15	20320510140	01112037	31-35inch Filter Base	1	2,200.00
16	20320510125	89011601	Water Drain Set		400.00

Notes: 13* MFS17/ MFS20 should have 8pcs of lateral (115mm)
 13* MFS24/ MFS27A/ MFS31A should have 8pcs of lateral (126mm)
 13* MFS27/ MFS31/ MFS35 should have 4 pcs of lateral (115mm) and 4pcs of lateral (185mm)

V SERIES FILTER REPLACEMENT PARTS

Parts of V Series Models: V350/ V400/ V450/ V500/ V650/ V700

[Back to Table of Content](#)



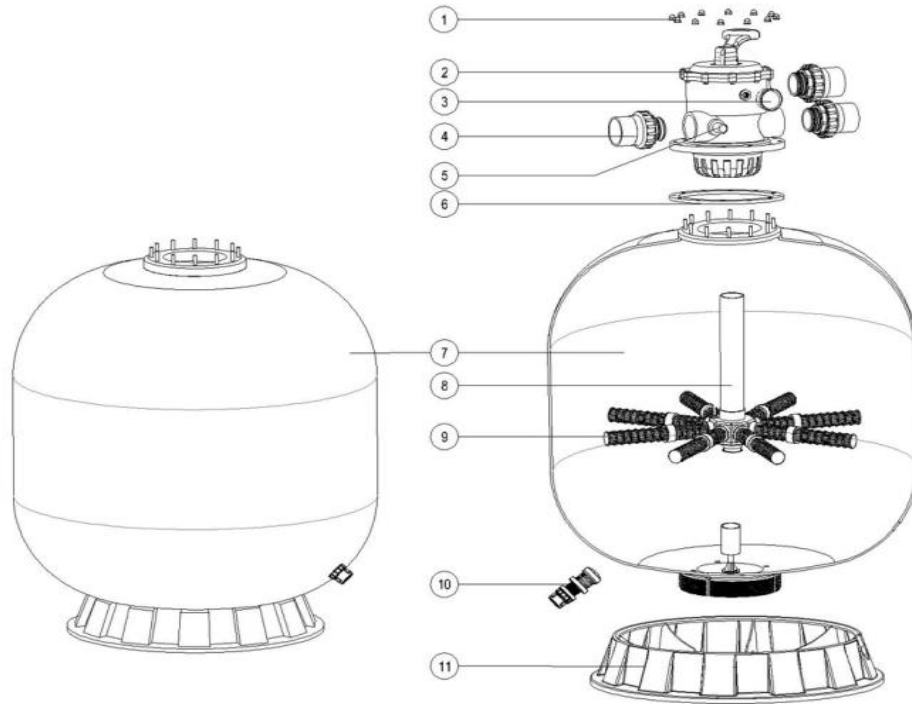
KEY NO.	POOLSPA CODES	PART NO.	DESCRIPTIONS	PIECE (S) REQUIRED	RETAIL PRICE 2022
1		88280150B	6 Way 1.5" Valve with 1.5" union set x 3 and pressure gauge (Black)	1	Refer to price list
2		89280101B	1.5" union with sight glass with O-ring (Black)	1	Refer to price list
3		89280102B	1.5" union set with O-ring (Black)	2	Refer to price list
4	20320510005	06011029	Maximum 40PSI Indication, Stainless Steel Casing	1	900.00
4	20320510010	01111048	Connector for Pressure Gauge/Stopper	1	70.00
5	20320511105	89010119	M6*50 Screws with Nut	2	250.00
6	20320510030	E010001	Clamp Lock	2	250.00
7	20320510155	02011134	O-Ring for Filter Neck	1	250.00
8	20320510160	89010114	V350 Filter tank	1	-
8	20320510165	89010113	V400 Filter tank	1	-
8	20320510170	89010112	V450 Filter Tank	1	-
8	20320510175	89010111	V500 Filter tank	1	-
8	20320510180	89010110	V650 Filter tank	1	-
8	20320510185	89010109	V700 Filter tank	1	-
9	20320510190	89010106	V350 Lateral Assembly with Center Pipe	1	630.00
9	20320511125	89010118	V400 Standpipe with hub	1	630.00
9	20320511110	89010105	V450 Lateral Assembly with Center Pipe	1	630.00
9	20320511115	89010104	V500 Lateral Assembly with Center Pipe	1	760.00
9	20320511120	89010103	V650 Lateral Assembly with Center Pipe	1	760.00
9	20320511130	89010102	V700 Standpipe with Hub	1	760.00
10	20320510110	01172007	Laterals(115mm)	8	130.00
10	20320510115	01172008	Laterals (126mm)	8	130.00
11	20320511135	01111052	V/P350 Filter Base	1	600.00
11	20320510130	01111059	16-21inch Filter Base	1	760.00
11	20320510135	01111062	21-28" Filter Base for V500/ V650/ V700	1	1,800.00
12	20320511185	01181052	Fastener for Filter Base	4	250.00
13	20320511190	89010107	Water Drain Set	1	380.00
14	20320511195	01015006	Sand Diverter (Black) for 1.5"	1	250.00

Notes: 10* 01172007 is laterals (115mm) for V350-V450

10* 01172008 is laterals (126mm) for V500-700

Parts of V Series Models: V700B/V800/ V900/ V1000/ V1200

[Back to Table of Content](#)



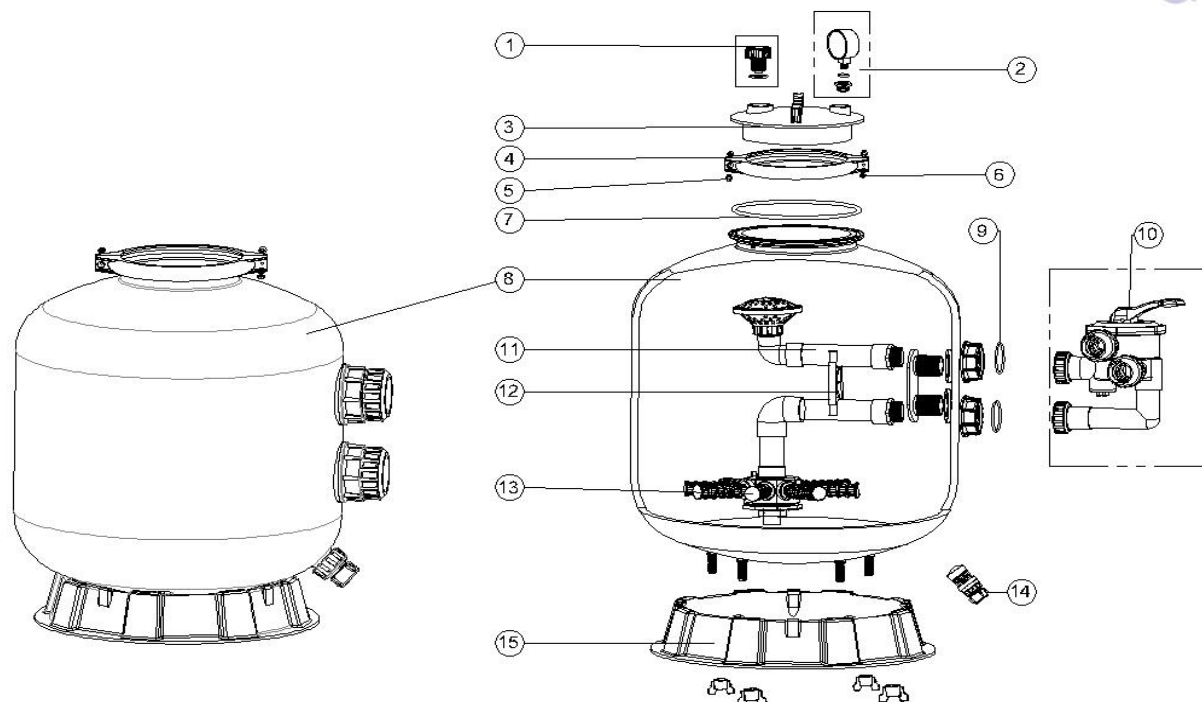
KEY NO.	POOLSPA CODES	PART NO.	DESCRIPTIONS	PIECE (S) REQUIRED	RETAIL PRICE 2022
1	20320511200	89010601	Nut with Washer	12	130.00
2		88280351B	6 Way 2" Valve with 2" union set x 3 and pressure gauge (Black)	1	Refer to price list
3		06011029	Maximum 40PSI Indication, Stainless Steel Casing	1	Refer to price list
4		89280103B	2.0" Union with O-Ring (Black)	3	Refer to price list
5	20320510245	89280104	Sight Glass with O-Ring	1	130.00
6	20320510250	02011126	Filter Neck Gasket	1	500.00
7	20320510255	89010612	V700B Filter Tank with Base	1	-
7	20320510260	89010603	V800 Filter Tank with Base	1	-
7	20320510265	89010604	V900 Filter Tank with Base	1	-
7	20320510270	89010605	V1000 Filter Tank with Base	1	-
7	20320510275	89010606	V1200 Filter Tank with Base	1	-
8	20320510280	89010611	V700B Standpipe with hub	1	1,000.00
8	20320510285	89010607	V800 Standpipe with Hub	1	1,100.00
8	20320510290	89010608	V900 Standpipe with Hub	1	1,300.00
8	20320510295	89010609	V1000 Standpipe with Hub	1	1,400.00
8	20320510300	89010610	V1200 Standpipe with Hub	1	1,550.00
9	20320510120	01172010	Laterals (185mm)	8	250.00
9	20320510305	01172011	Laterals (233mm)	8	250.00
9	20320510310	E010307	Laterals(129mm & 185mm)	8	250.00
9	20320510315	E010308	Laterals(129mm & 233mm)	8	400.00
10	20320511190	89010107	Water Drain Set	1	400.00
11	20320510135	01111062	21-28inch Filter Base	1	1,800.00
11	20320510320	01112038	32-40 inch Filter Base	1	2,000.00
11	20320510325	01112039	Base for V1200	1	2,700.00

Notes:

- 9* 01172010 Laterals (185mm) for V700B
- 9* 01172011 Laterals (233mm) for V800 & V900
- 9* 89010613 Laterals (129mm & 185mm) for V1000
- 9* 89010614 Laterals (129mm & 233mm) for V1200

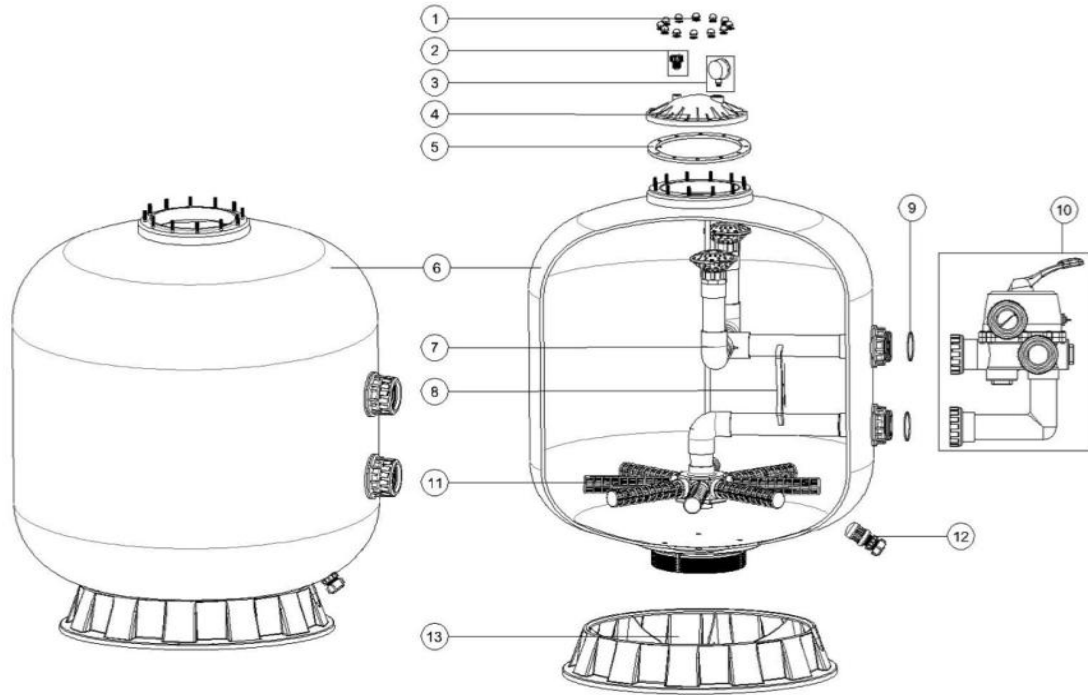
Parts of S SERIES Models: S450/ S500/ S650/ S700

[Back to Table of Content](#)



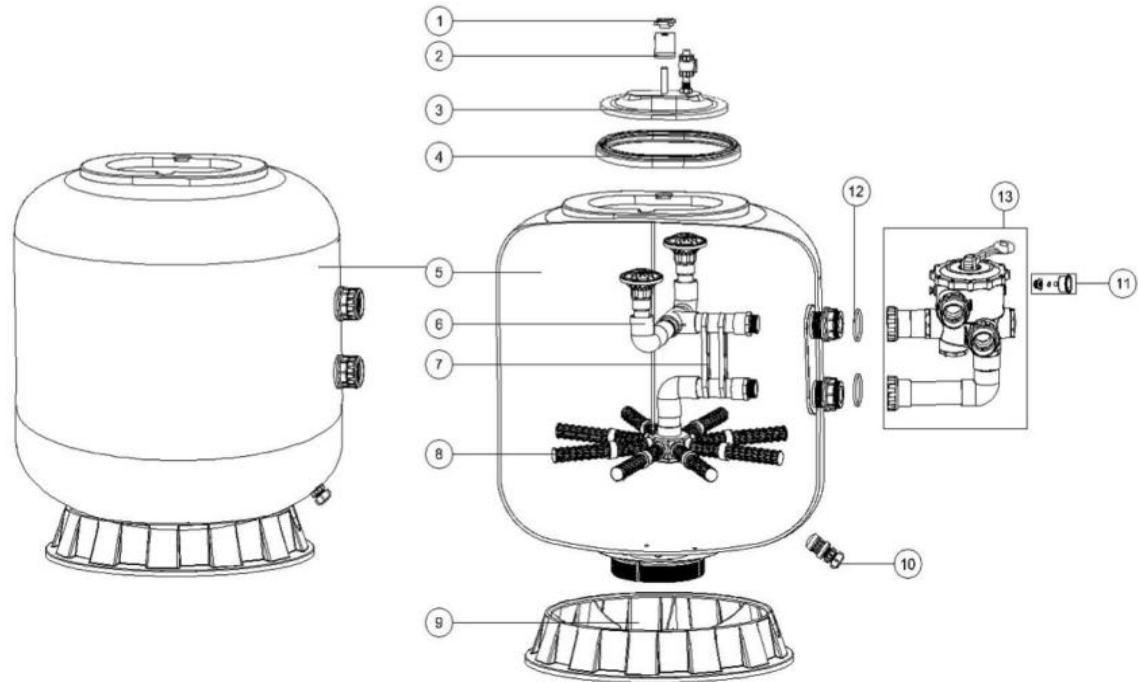
KEY NO.	POOLSPA CODES	PART NO.	DESCRIPTIONS	PIECE (S) REQUIRED	RETAIL PRICE 2022
1	20320510145	89010701	Air Release Valve with Oring	1	250.00
2	20320511540	06011032	Maximum 40PSI Indication, Stainless Steel Casing	1	490.00
3	20320510150	01201022	Lid (transparent)	1	1,300.00
4	20320511030	01271010	Clamp Lock	2	250.00
5	20320510015	03021035	M6 Nut	1	130.00
6	20320510330	03011095	Screw	1	130.00
7	20320510155	02011134	O-Ring for Filter Neck	1	250.00
8	20320510335	89010706	Filter Tank for S450	1	-
8	20320510340	89010705	Filter Tank for S500	1	-
8	20320510345	89010704	Filter Tank for S650	1	-
8	20320510350	89010703	Filter Tank for S700	1	-
9	20320510195	02011003	O-Ring for 1.5" adaptor	2	130.00
10		88280811W	6 Way 1.5" Valve with Piping Kit, 1.5" union set x 3 and pressure gauge (White)	1	6,800.00
11	20320510355	89010708	The Inner Tank System for S450	1	2,300.00
11	20320510360	89010709	The Inner Tank System for S500	1	2,400.00
11	20320510365	89010710	The Inner Tank System for S650	1	2,700.00
11	20320510370	89010711	The Inner Tank System for S700	1	2,800.00
12	20320510375	01111046	1.5" Tank System Support	1	250.00
13	20320510110	01172007	Laterals(115mm)	8	130.00
13	20320510115	01172008	Laterals (126mm)	8	130.00
14	20320511190	89010107	Water Drain Set	1	400.00
15	20320510130	01111059	16-21inch Filter Base	1	760.00
15	20320510135	01111062	21-28inch Filter Base	1	1,800.00

Notes: 13* 01172007 Laterals(115mm) for S450
 13* 01172008 Laterals(126mm) for S500-S700

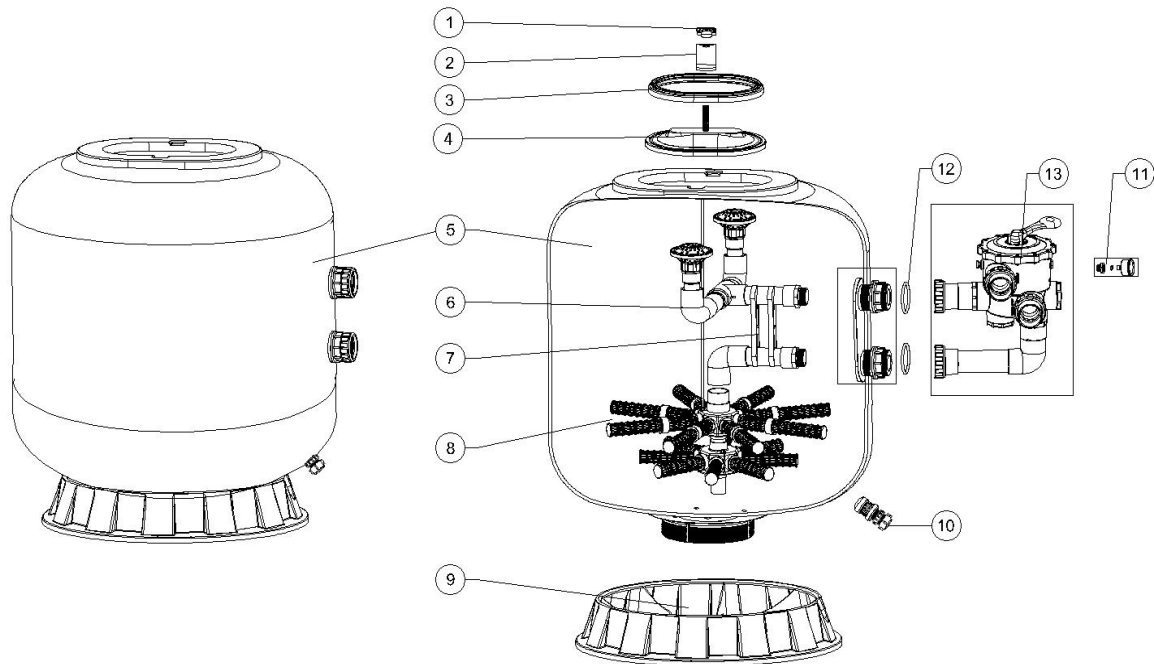


KEY NO.	POOLSPA CODES	PART NO.	DESCRIPTIONS	PIECE (S) REQUIRED	RETAIL PRICE 2022
1	20320511200	89010601	Nut with washer	12	130.00
2	20320510145	89010701	Air Release Valve with Oring	1	250.00
3	20320511540	06011032	Maximum 40PSI Indication, Stainless Steel Casing	1	490.00
4	20320510380	01172005	Lid (Grey Colour)	1	1,400.00
5	20320510250	02011126	Filter Neck Gasket	1	500.00
6	20320510385	89011202	S700B Filter Tank	1	21,400.00
6	20320510390	89011208	Filter Tank with Base for S800	1	-
6	20320510395	89011209	Filter Tank with Base for S900	1	-
7	20320510400	89011203	The Inner Tank System for S700 (B)	1	3,700.00
7	20320510405	89011210	The Inner Tank System for S800	1	4,500.00
7	20320510410	89011211	The Inner Tank System for S900	1	4,800.00
8	20320510415	01111090	2.0" Tank System Support	1	250.00
9	20320510420	02011127	O-Ring for Inlet & Outlet	2	130.00
10		88280813W	6 Way 2" Valve with Piping Kit, 2" union set x 3 and pressure gauge (White)	1	Refer to price list
11	20320510120	01172010	Laterals (185mm)	8	250.00
11	20320510305	01172011	Laterals (233mm)	8	250.00
12	20320511190	89010107	Water Drain Set	1	380.00
13	20320510135	01111062	21-28inch Filter Base	1	1,800.00
13	20320510320	01112038	32-40 inch Filter Base	1	2,000.00

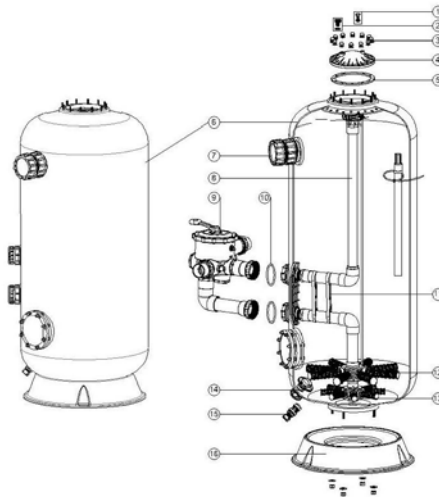
Notes: 11* 01172010 laterals (185mm) is for S700B
 11* 01172011 laterals (233mm) is for S800 & S900



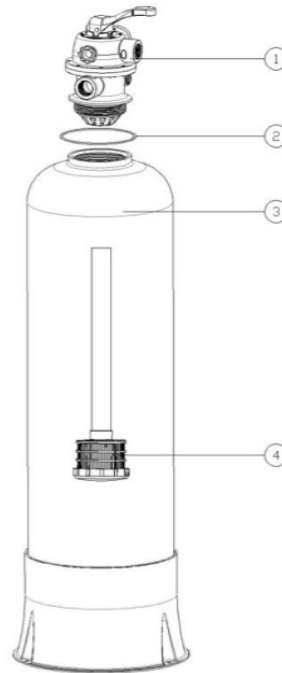
KEY NO.	POOLSPA CODES	PART NO.	DESCRIPTIONS	PIECE (S) REQUIRED	RETAIL PRICE 2022
1	20320510425	01111100	Star-Shaped Nut	1	500.00
2	20320510430	4100076786	Bow-Shaped Metal Bar	1	3,000.00
3	20320510435	01161006	Manhole	1	12,650.00
4	20320510440	111292548	Rubber Ring for Lid	1	1,550.00
5	20320510445	89011301	S1000 Filter Tank With Base	1	-
5	20320510450	89011302	S1200 Filter Tank With Base	1	-
6	20320510455	89011303	The Inner Tank System for 1000	1	5,500.00
6	20320510460	89011304	The Inner Tank System for S1200	1	6,200.00
7	20320510465	4110000990	2.0" Tank System Support	1	130.00
8	20320510310	E010307	Laterals (129mm & 185mm) for S1000	8	250.00
8	20320510315	E010308	Laterals (129mm & 233mm) for S1200	8	380.00
9	20320510320	01112038	32-40 inch Filter Base	1	2,000.00
9	20320510325	01112039	Base for V1200	1	2,700.00
10	20320511190	89010107	Water Drain Set	1	380.00
11		06011029	Maximum 40PSI Indication, Stainless Steel Casing	1	900.00
12	20320510420	02011127	O-Ring for Inlet & Outlet	2	130.00
13		88280813W	6 Way 2" Valve with Piping Kit, 2" union set x 3 and pressure gauge (White)	1	9,400.00



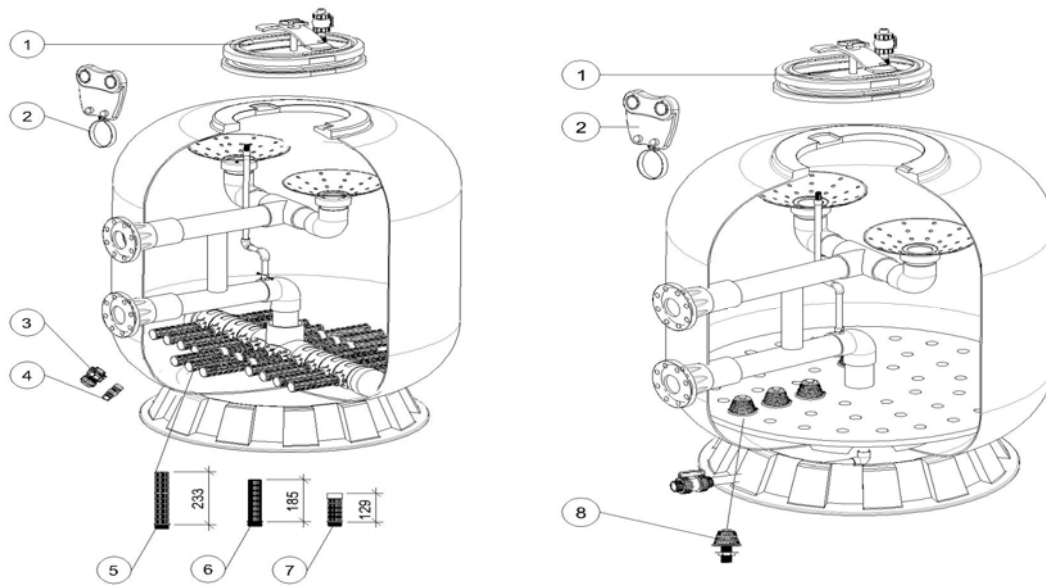
KEY NO.	POOLSPA CODES	PART NO.	DESCRIPTIONS	PIECE (S) REQUIRED	RETAIL PRICE 2022
1	20320510425	01111100	Star-Shaped Nut	1	500.00
2	20320510430	4100076786	Bow-Shaped Metal Bar	1	3,000.00
3	20320510440	111292548	O-Ring for Manhole	1	3,300.00
4	20320511310	E012053	Lid	1	15,000.00
5	20320511315	E011306	S1000C Filter Tank With Base	1	-
5	20320511320	E011307	S1200C Filter Tank With Base	1	-
6	20320511325	E011305	The Inner Tank System for S1000C	1	9,100.00
6	20320511330	E011308	The Inner Tank System for S1200C	1	9,800.00
7	20320511335	4110005431	2.5" Tank System Support	1	600.00
8	20320510310	E010307	Laterals (129mm & 185mm) for S1000	8	250.00
8	20320510315	E010308	Laterals (129mm & 233mm) for S1200	8	400.00
8	20320510115	01172008	Laterals (126mm)	8	230.00
9	20320510320	01112038	32-40 inch Filter Base	1	2,000.00
9	20320510325	01112039	Base for V1200	1	2,700.00
10	20320511190	89010107	Water Drain Set	1	380.00
11	20320511535	06011029	Maximum 40PSI Indication, Stainless Steel Casing	1	490.00
12	20320511340	01110029	O-Ring for Inlet & Outlet	2	130.00
13		88280813W	6 Way 2" Valve with Piping Kit, 2" union set x 3 and pressure gauge (White)	1	Refer to price list



KEY NO.	POOLSPA CODES	PART NO.	DESCRIPTIONS	PIECE (S) REQUIRED	RETAIL PRICE 2022
1	20320510470	89281201	Connector for Pressure Gauge	1	70.00
2	20320510145	89010701	Air Release Valve with Oring	1	250.00
3	20320511200	89010601	Nut with Washer	12	130.00
4	20320510380	01172005	Lid (Grey Colour)	1	1,400.00
5	20320510250	02011126	Filter Neck Gasket	1	500.00
6	20320510475	89013801	Filter Tank with Base for SDB700-1.0M	1	-
6	20320510480	89013815	Filter Tank with Base for SDB700-1.2M	1	-
6	20320510485	89013802	Filter Tank with Base for SDB800-1.0M	1	-
6	20320510490	89013816	Filter Tank with Base for SDB800-1.2M	1	-
6	20320510495	89013803	Filter Tank with Base for SDB900-1.0M	1	-
6	20320510500	89013817	Filter Tank with Base for SDB900-1.2M	1	-
6	20320510505	89013804	Filter Tank with Base for SDB1000-1.0M	1	-
6	20320510510	89013818	Filter Tank with Base for SDB1000-1.2M	1	-
6	20320510515	89013838	Filter Tank with Base for SDB900(C)-1.0M	1	-
6	20320510520	89013839	Filter Tank with Base for SDB900(C)-1.2M	1	-
6	20320510525	89013840	Filter Tank with Base for SDB1000(C)-1.0M	1	-
6	20320510530	89013841	Filter Tank with Base for SDB1000(C)-1.2M	1	-
7	20320510535	89012842	Sight Glass (for SDB Series Filters)	1	11,400.00
8	20320510540	89013805	The Inner Tank System for SDB700-1M	1	6,100.00
8	20320510545	89013819	The Inner Tank System for SDB700-1.2M	1	6,600.00
8	20320510550	89013806	The Inner Tank System for SDB800-1M	1	7,000.00
8	20320510555	89013820	The Inner Tank System for SDB800-1.2M	1	7,360.00
8	20320510560	89013807	The Inner Tank System for SDB900-1M	1	7,600.00
8	20320510565	89013821	The Inner Tank System for SDB900-1.2M	1	7,800.00
8	20320510570	89013808	The Inner Tank System for SDB1000-1M	1	8,600.00
8	20320510575	89013822	The Inner Tank System for SDB1000-1.2M	1	9,000.00
8	20320510580	89013834	The Inner Tank System for SDB900(C)-1M	1	7,600.00
8	20320510585	89013835	The Inner Tank System for SDB900(C)-1.2M	1	7,800.00
8	20320510590	89013836	The Inner Tank System for SDB1000(C)-1M	1	9,000.00
8	20320510595	89013837	The Inner Tank System for SDB1000(C)-1.2M	1	9,000.00
9		88280813B	6 Way 2" Valve with Piping Kit, 2" union set x 3 and pressure gauge (Black)	1	Refer to price list
9		88280834B	6 Way 2.5" Valve with Piping Kit, 2.5" union set x 3 and pressure gauge (Black)	1	Refer to price list
10	20320510200	02020016	O-Ring for Connector	1	130.00
10	20320511140	02010224	2.5" O-Ring for Connector	1	250.00
11	20320510415	01111090	2.0" Tank System Support	2	250.00
11	20320510600	01110030	2.5" Tank System Support	8	380.00
12	20320510120	01172010	Laterals (185mm) for SDB700-1.0/ SDB700-1.2/ SDB800-1.0/ SDB800-1.2	8	250.00
12	20320510305	01172011	Laterals (233mm) for SDB900-1.0/ SDB900-1.2/ SDB900C-1.0/ SDB900C-1.2	8	250.00
12	20320510310	89010613	Laterals(129mm & 185mm) for SDB1000-1.0/SDB1000-1.2/SDB1000C-1.0/SDB1000C-1.2	8	250.00
13	20320510110	01172007	Laterals(115mm) Laterals(115mm) for all series	1	130.00
14	20320510605	89012807	Sand Drain Set	1	1,000.00
15	20320511190	89010107	Water Drain Set	1	380.00
16	20320510610	01161066	Filter Base for SDB700 Filter	1	6,200.00
16	20320510615	01161067	Filter Base for SDB800 Filter	1	6,500.00
16	20320510620	01161068	Filter Base for SDB900 Filter	1	9,900.00
16	20320510625	01161069	Filter Base for SDB1000 Filter	1	12,900.00



KEY NO.	POOLSPA CODES	PART NO.	DESCRIPTIONS	PIECE (S) REQUIRED	RETAIL PRICE 2022
1		88281403	6 Way 1" Top Mount Valve (Valve Only) (Black)	1	Refer to price list
2	20320510630	02011013	O-Ring for Filter Neck	1	130.00
3	20320510635	89012701	HD13300Filter Tank With Base	1	-
3	20320510640	89012702	HD15300Filter Tank With Base	1	-
3	20320510645	89012703	Filter Tank with Base for HD13350	1	-
3	20320510650	89012704	Filter Tank with Base for HD15350	1	-
3	20320510655	89012705	Filter Tank with Base for HD13400	1	-
3	20320510660	89012706	Filter Tank with Base for HD15400	1	-
4	20320510665	89012707	Lateral Assembly with Center Pipe for HD13300/ HD13350/ HD13400	1	1,000.00
4	20320510670	89012708	Lateral Assembly with Center Pipe for HD15300/ HD15350/ HD15400	1	1,100.00



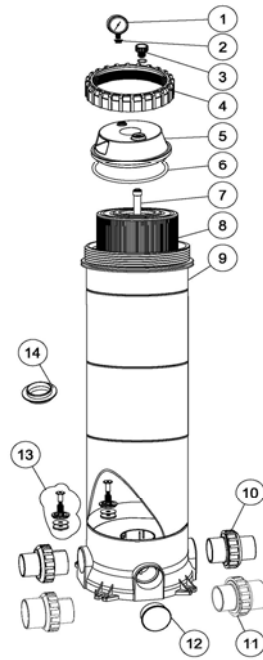
KEY NO.	POOLSPA CODES	PART NO.	DESCRIPTIONS	PIECE (S) REQUIRED	RETAIL PRICE 2022
1	20320511430	E012023	Lid with O-ring for NL/K (with Air Purge)	1	16,300.00
1	20320511435	E012053	Lid with O-ring for NL/K/H (without Air Purge)	1	14,300.00
2	20320511440	E013044	Manometer for Commercial Filter In/Outlet 3" (0-40PSI)	1	5,300.00
2	20320511445	E013045	Manometer for Commercial Filter In/Outlet 3" (0-60PSI)	1	5,300.00
2	20320511450	E013046	Manometer for Commercial Filter In/Outlet 4" (0-40PSI)	1	5,800.00
2	20320511455	E013047	Manometer for Commercial Filter In/Outlet 4" (0-60PSI)	1	5,800.00
2	20320511460	E013048	Manometer for Commercial Filter In/Outlet 6" (0-40PSI)	1	9,800.00
2	20320511465	E013049	Manometer for Commercial Filter In/Outlet 6" (0-60PSI)	1	9,800.00
2	20320511470	E013050	Manometer for Commercial Filter In/Outlet 8" (0-40PSI)	1	11,000.00
2	20320511475	E013051	Manometer for Commercial Filter In/Outlet 8" (0-60PSI)	1	11,000.00
3	20320510605	89012807	1.5" Sand Drain Set for NL1200-NL1600	1	900.00
3	20320510770	89012829	2.0" Sand Drain Set for NL1800-NL2500	1	1,200.00
4	20320511190	89010107	Water Drain Set	1	300.00
5	20320510305	01172011	Laterals (233mm)	1	400.00
6	20320510120	01172010	Laterals (185mm)	1	350.00
7	20320510775	01172009	Laterals (129mm)	*	300.00
8	20320511480	E012061	0.4mm Nozzles	*	500.00

Notes:

- NL1200 should have 185mm x 8pcs and 233mm x 8pcs and 129mm x 8pcs of laterals
- NL1400 should have 185mm x 14pcs and 233mm x 8pcs and 129mm x 28pcs of laterals
- NL1600 should have 185mm x 8pcs and 233mm x 12pcs and 129mm x 12pcs of laterals
- NL1800 should have 185mm x 4pcs; 233mm x 28pcs of Laterals
- NL2000 should have 185mm x 8pcs; 233mm x 32pcs; 129mm x 8pcs of Laterals
- NL2300/2500 should have 185mm x 40pcs; 233mm x 16pcs; 129mm x 48pcs of Laterals

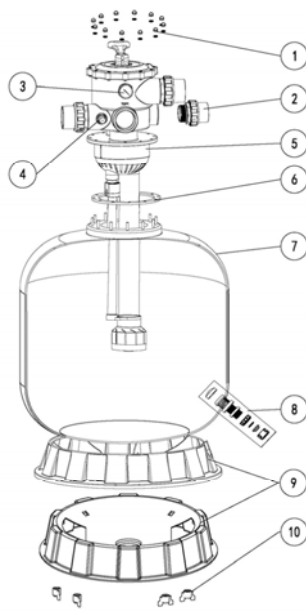
Parts of CF Series Models: CF25/ CF50/ CF75/ CF100/ CF150/ CF200

[Back to Table of Content](#)



KEY NO.	POOLSPA CODES	PART NO.	DESCRIPTIONS	PIECE (S) REQUIRED	RETAIL PRICE 2022
1	20320511540	06011032	Maximum 40PSI Indication, Stainless Steel Casing	1	490.00
2	20320511305	E190109	Connector for Pressure Gauge/Stopper	1	130.00
3	20320510145	89010701	Air Release Valve with Oring	1	250.00
4	20320510855	01021006	Ring Lock for Cartridge Filter	1	1,000.00
5	20320510860	01011002	Cartridge Filter Lid	1	1,000.00
6	20320510865	02011034	O-Ring for Lid	1	250.00
7	20320510870	89060103	CF25 PVC Air Vent Pipe With Cover	1	250.00
7	20320510875	89060104	CF50 PVC Air Vent Pipe With Cover	1	400.00
7	20320510880	89060105	CF75 PVC Air Vent Pipe With Cover	1	500.00
7	20320510885	89060106	CF100 PVC Air Vent Pipe With Cover	1	630.00
7	20320510890	89060107	CF150 PVC Air Vent Pipe With Cover	1	760.00
7	20320510895	89060108	CF200 PVC Air Vent Pipe With Cover	1	760.00
8	20520510005	88270101	Element for CF25	1	1,500.00
8	20520510010	88270102	Element for CF50	1	2,200.00
8	20520510015	88270103	Element for CF75	1	2,600.00
8	20520510020	88270104	Element for CF100	1	3,100.00
8	20520510025	88270105	Element for CF150	1	3,600.00
*8	20520510030	88270106	Element for CF200	2	4,800.00
9	20320510900	89060116	CF25 Cartridge Filter Body	1	1,000.00
9	20320510905	89060117	CF50 Cartridge Filter Body	1	2,400.00
9	20320510910	89060118	CF75 Cartridge Filter Body	1	3,600.00
9	20320510915	89060119	CF100 Cartridge Filter Body	1	4,800.00
9	20320510920	89060120	CF150 Cartridge Filter Body	1	6,100.00
9	20320510925	89060121	CF200 Cartridge Filter Body	1	7,200.00
10	20320510930	89060114	1.5" Union for Cartridge Filter	2	380.00
11	20320510935	89060115	2.0" Union for Cartridge Filter	2	380.00
12	20320510940	01011015	Plug	1	130.00
13	20320510945	89060109	Pressure Release Valve	1	130.00
14	20320511205	01011016	Locator only for CF200	1	130.00

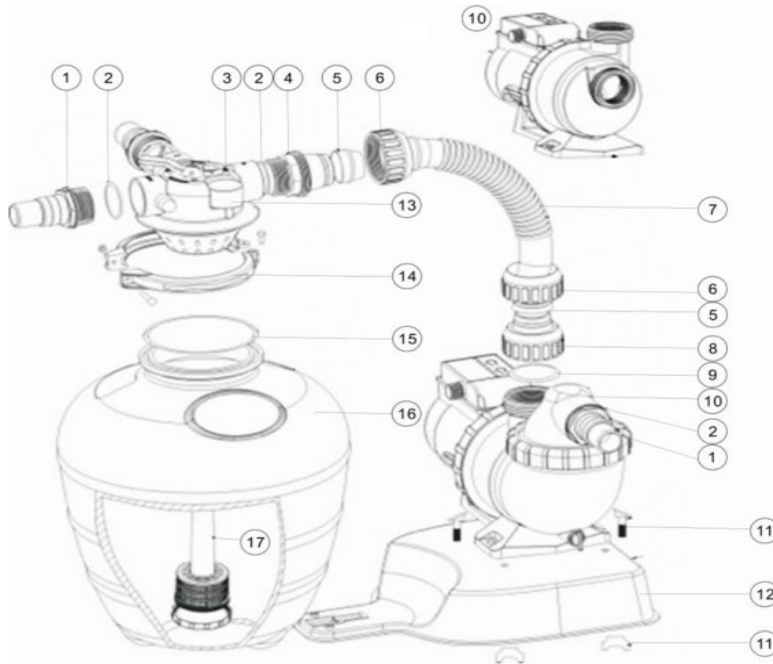
Notes: *8 and 14 are the complete set for Element for CF200



KEY NO.	POOLSPA CODES	PART NO.	DESCRIPTIONS	PIECE (S) REQUIRED	RETAIL PRICE 2022
1	20320511200	89010601	Nut with washer	12	190.00
2	22120510175	89280116B	2.5"Union set with O-Ring	3	690.00
3	20650511060	06011030	Oil Pressure Gauge With O-ring (60 psi)	1	890.00
3	20320511305	E190109	Drain Plug Fitting with O-ring	1	80.00
4	20320510245	89280104	Sight glass with O-Ring	1	190.00
5	20320511485	88280353B	6 Way 2.5" Top Mount Valve (Black) for LF700	1	15,900.00
5	20320511490	88280354B	6 Way 2.5" Top Mount Valve (Black) for LF800	1	15,900.00
5	20320511495	88280355B	6 Way 2.5" Top Mount Valve (Black) for LF900	1	15,900.00
6	20320510250	02011126	Filter Neck Gasket	1	490.00
7	20320510255	89010612	LF700 Filter Tank With Base	1	-
7	20320510260	89010603	LF800 Filter Tank With Base	1	-
7	20320510265	89010604	LF900 Filter Tank With Base	1	-
8	20320511190	89010107	Water Drain Set	1	3,900.00
9	20320510135	01111062	LF700 Filter base	1	2,200.00
9	20320511300	4104020763	LF800/LF900 Filter base	1	3,200.00
10	20320511185	01181052	Fastener for Filter Base	4	290.00

Parts of Ultra Models: FSU-8

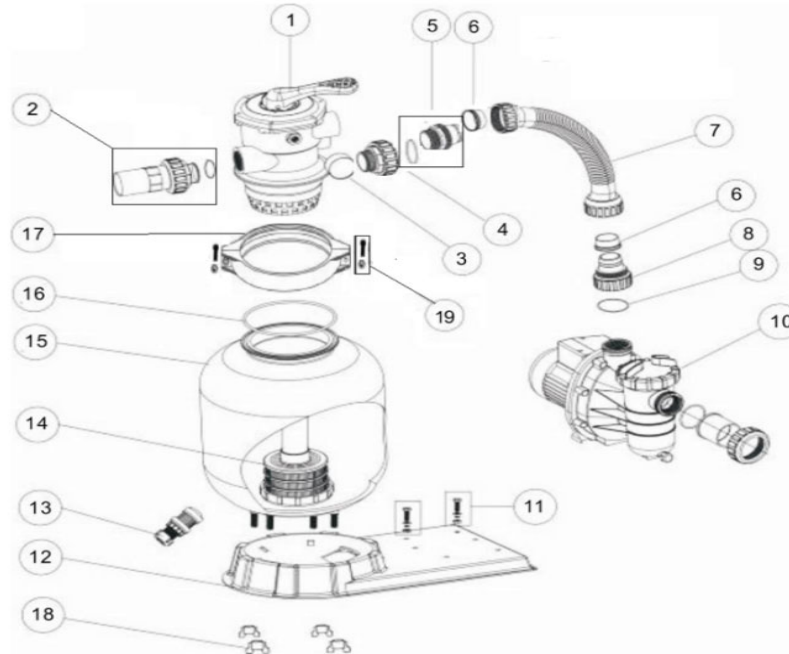
[Back to Table of Content](#)



Key No.	Code	Part No.	Description	Piece(s) Required	Retail Prices 2022
1	20710511170	01013051	32mm & 38mm Adaptor	3	200.00
2	20650510135	02020013	O-ring for 1.5" Connector	4	130.00
3	20710511630	88281105B	4 Way 1.5" Top Mount Valve (Valve Only) (Black)	1	4,100.00
4	20710511635	01013047	Hose Adaptor	1	200.00
5	20320510955	02011026	Sleeve for Hose	2	200.00
6	20710511640	01013046	Nut for Hose	2	200.00
7	20710511645	01370011	Hose	1	400.00
8	20320510965	01013049	Hose Adaptor with Nut	1	200.00
9	20320510970	02011104	O-Ring for 1.5" Union	1	200.00
10	20710511650	88028401	AMU020TP AQUA-MINI Pump, 220V/50Hz	1	Refer to price list
10	20710511650	88028401	AMU020T AQUA-MINI Pump (with Timer & prefilter)	1	Refer to price list
10	20710511655	88027801	AMU020P AQUA-MINI Pump (with Pre-Filter)	1	Refer to price list
11	20710511660	89033601	Pump Assembly Screw	1	130.00
12	20710511665	01111105	Combo Base	1	760.00
13	20710511670	06021014	Plastic Pressure Gauge with O-Ring (28psi)	1	500.00
14	20710511675	89033602	Clamp Lock with Screws & Nut	1	380.00
15	20710511680	02010045	O-Ring	1	130.00
16	20710511685	01331061	13" Filter Tank	1	-
17	20710511690	89033603	Lateral Assembly with Center Pipe	1	630.00

Parts of FSF Models: FSF350-6W

[Back to Table of Content](#)



KEY NO.	POOLSPA CODES	PART NO.	DESCRIPTIONS	PIECE (S) REQUIRED	RETAIL PRICE 2022
1*		88280105	1.5" Top Mount Valve (Black/ White colour)	1	Refer to price list
2*		89280101	1.5" Union with Sight Glass and O-Ring (Black/ White colour)	1	Refer to price list
3		06011029	Maximum 40PSI Indication, Stainless Steel Casing	1	Refer to price list
3	20320510010	01111048	Connector for Pressure Gauge/Stopper	1	130.00
4*		89280102	1.5" Union Set with O-Ring (Black/ White colour)	1	Refer to price list
5	20320510950	89030204	Hose Adaptor with O-Ring	1	250.00
6	20320510955	02011026	Sleeve for Hose	2	130.00
7	20320510960	89032002	FSF350-6W Plastic Hose with Nut	1	380.00
8	20320510965	01013049	Hose Adaptor with Nut	1	130.00
9	20320510970	02011104	O-Ring for 1.5" Union	1	130.00
10		88022402	FSF350-6W Pump (SS033)	1	Refer to price list
11	20320510975	89032001	Pump Assembly Screw	2	380.00
12	20320510980	01111056	FSP/F350-4-6W Combo Base	1	1,300.00
13	20320511190	89010107	Water Drain Set	1	380.00
14	20320510190	89010106	V350 Lateral Assembly with Center Pipe	1	630.00
15	20320510985	89010115	V350 Filter tank	1	-
16	20320510155	02011134	O-Ring for Filter Neck	1	250.00
17	20320511030	01271010	Clamp Lock	2	250.00
18	20320511185	01181052	Fastener for Filter base	4	250.00
19	20320511105	89010119	M6*50 Screws With Nut	2	250.00

Notes: 1* 88280105B is 1.5" Top Mount Valve in Black colour

1* 88280105W is 1.5" Top Mount Valve in White colour

2* 89280101B is 1.5" Union with Sight Glass and O-Ring in Black colour

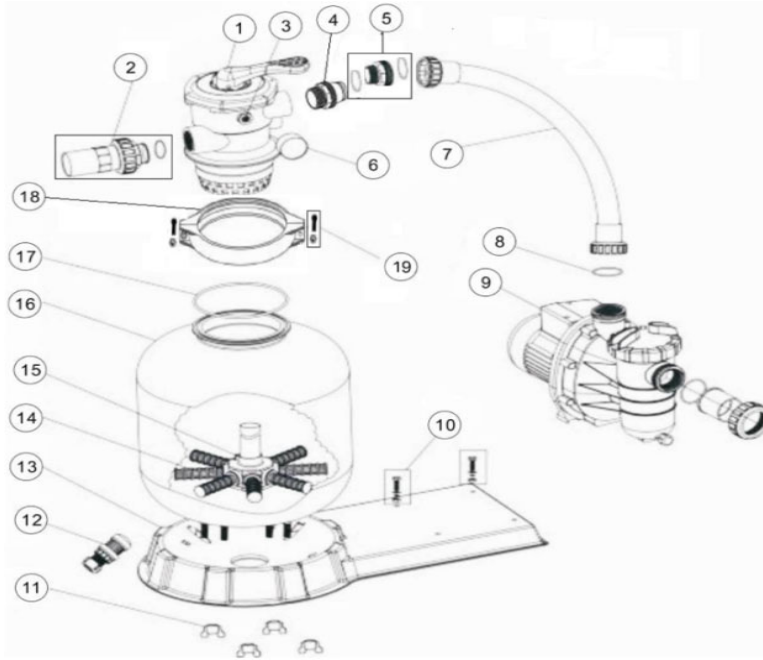
2* 89280101W is 1.5" Union with Sight Glass and O-Ring in White colour

4* 89280102B is 1.5" Union Set with O-Ring in Black colour

4* 89280102W is 1.5" Union Set with O-Ring in White colour

Parts of FSF Models: FSF400-6W with SS050/ FSF450-6W with SS075/ FSF500-6W with SC100/ FSF-650-6W with SC150

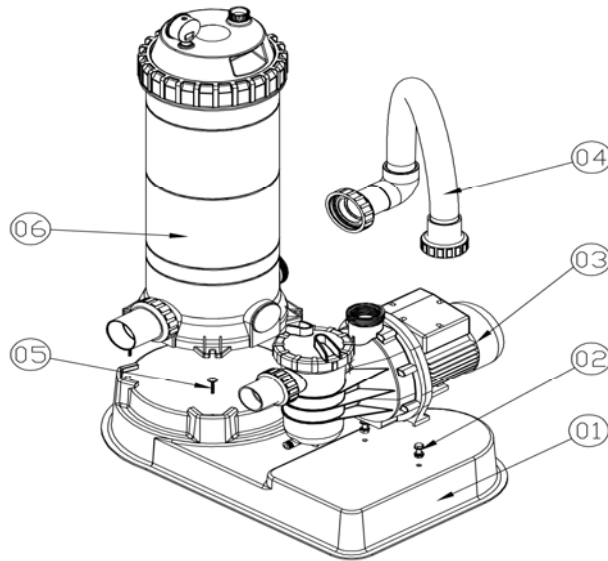
[Back to Table of Content](#)



KEY NO.	POOLSPA CODES	PART NO.	DESCRIPTIONS	PIECE (S) REQUIRED	RETAIL PRICE 2022
1*		88280105	1.5" Top Mount Valve (Black/ White Colour)	1	Refer to price list
2*		89280101	1.5" Union with Sight Glass and O-Ring (Black/ White Colour)	1	Refer to price list
3	20320510010	01111048	Connector for Pressure Gauge/Stopper	1	130.00
4*		89280102	1.5" Union Set with O-Ring (Black/ White Colour)	1	Refer to price list
5		89032102	1.5" Bulkhead Fitting with O-Ring	1	250.00
6		06011029	Maximum 40PSI Indication, Stainless Steel Casing	1	Refer to price list
7	20320510990	89032103	FSF400-6W Plastic Hose with Nut	1	630.00
7	20320510995	89032201	FSF450-6W Plastic Hose with Nut	1	630.00
7	20320511000	89032301	FSF500-6W Plastic Hose with Nut	1	630.00
7	20320511005	89032401	FSF650-6W Plastic Hose with Nut	1	760.00
8	20320510970	02011104	O-Ring for 1.5" Union	1	130.00
9		88022403	Pump 0.50hp, 220V/50Hz, Single Phase	1	Refer to price list
9		88022404	Pump 0.75hp, 220V/50Hz, Single Phase	1	Refer to price list
9		88021705	Pump 1.00hp, 220V/50Hz, Single Phase	1	Refer to price list
9		88021707	Pump 1.50hp, 220V/50Hz, Single Phase	1	Refer to price list
10	20320510975	89032001	Pump Assembly Screw	2	380.00
11	20320511185	01181052	Fastener for Filter Base	4	250.00
12	20320511190	89010107	Water Drain Set	1	380.00
13	20320511010	01111053	FSP/F400-6W - FSP/F650-6W Combo Base	1	2,060.00
14	20320510110	01172007	Laterals(115mm)	8	130.00
14	20320510115	01172008	Laterals (126mm)	8	130.00
15	20320511015	89010116	V400 Lateral Assembly with Center Pipe	1	630.00
15	20320511110	89010105	V450 Lateral Assembly with Center Pipe	1	630.00
15	20320511115	89010104	V500 Lateral Assembly with Center Pipe	1	760.00
15	20320511120	89010103	V650 Lateral Assembly with Center Pipe	1	760.00
16	20320510165	89010113	V400 Filter tank	1	6,210.00
16	20320510170	89010112	V450 Filter Tank	1	7,500.00
16	20320510175	89010111	V500 Filter tank	1	8,700.00
16	20320510180	89010110	V650 Filter tank	1	12,500.00
17	20320510155	02011134	O-Ring for Filter Neck	1	250.00
18	20320510030	01271010	Clamp Lock	2	250.00
19	20320511105	89010119	M6*50 Screws With Nut	2	250.00

Note:

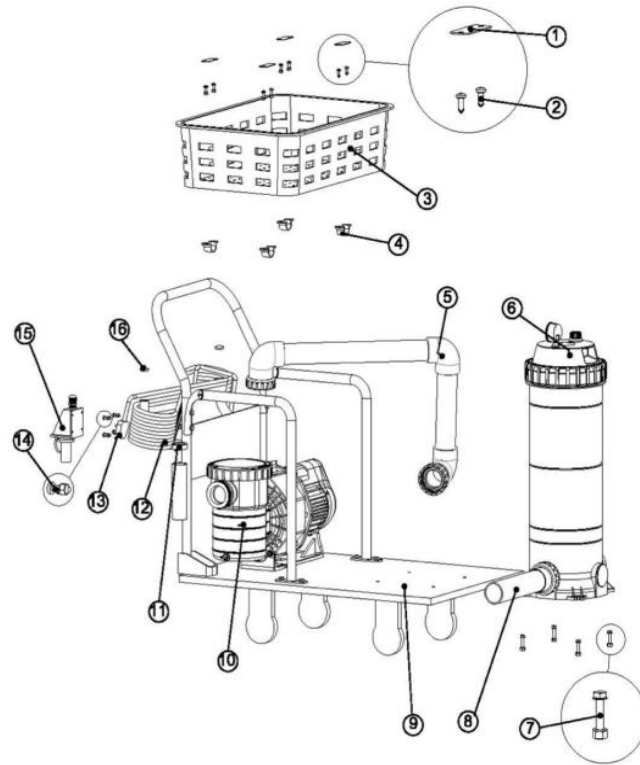
- 1* 88280105B is 1.5" Top Mount Valve in Black Colour
- 1* 88280105W is 1.5" Top Mount Valve in White Colour
- 2* 89280101B is 1.5" Union with Sight Glass and O-Ring in Black Colour
- 2* 89280101W is 1.5" Union with Sight Glass and O-Ring in White Colour
- 4* 88280102B is 1.5" Union Set with O-ring in Black Colour
- 4* 88280102W is 1.5" Union Set with O-ring in White Colour



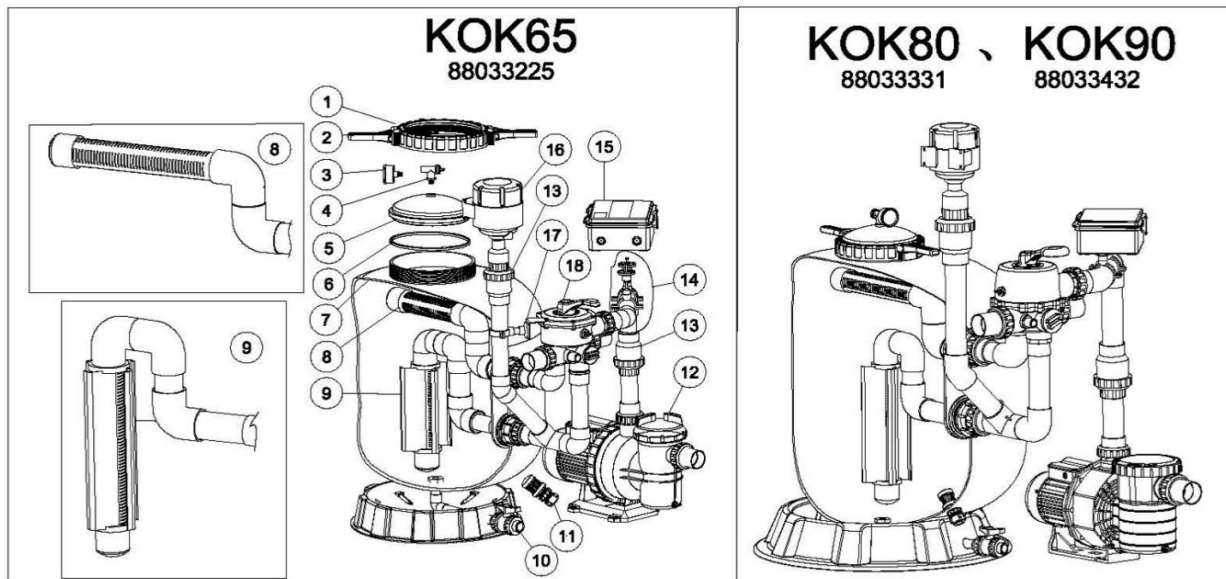
KEY NO.	POOLSPA CODES	PART NO.	DESCRIPTIONS	PIECE (S) REQUIRED	RETAIL PRICE 2022
1	20320511500	470033902	Cartridge Filter Base (FSCO)	1	2,500.00
2	20710510095	112192685	Outer Hexagonal Screw M8x30 (304)	2	100.00
2	20320511505	112052659	Spring Washer M8 (304)	2	50.00
2	20320511510	590003024	Motor Slinger M8 (304)	4	80.00
2	20320511515	112102659	Nut M8 (304)	2	50.00
3		88022402	Pump(SS033) 220V 50Hz	1	Refer to price list
3		88022403	Pump(SS050) 220V 50Hz	1	Refer to price list
3		88022404	Pump(SS075) 220V 50Hz	1	Refer to price list
3		88022405	Pump(SS100) 220V 50Hz	1	Refer to price list
3		88022406	Pump(SS120) 220V 50Hz	1	Refer to price list
4	20320511520	E071002	FSCO+SS Plastic Hose with Nut	1	9,500.00
5	20320511525	112032649	Self Tapping Screw M4x35 (304)	4	80.00
5	20320511530	590004167	Gasket (304)	4	50.00
6		88060101	Cartridge Filter (CF25)	1	Refer to price list
6		88060102	Cartridge Filter (CF50)	1	Refer to price list
6		88060103	Cartridge Filter (CF75)	1	Refer to price list
6		88060104	Cartridge Filter (CF100)	1	Refer to price list
6		88060105	Cartridge Filter (CF150)	1	Refer to price list

Parts of Pool Cleaning Trolley- with SB20: CE603

[Back to Table of Content](#)



KEY NO.	POOLSPA CODES	PART NO.	DESCRIPTIONS	PIECE (S) REQUIRED	RETAIL PRICE 2022
1	20710511630	01021152	Cushion Pad	4	70.00
2	20710511635	03011021	M5*30 Screw	8	70.00
3	20710511640	07101106	Basket	1	2,300.00
4	20710511645	01021153	Cushion Tablets	4	130.00
5	20710511650	89050709	CE603 Intake Piping	1	2,400.00
6	20710511655	88060103	75ft2 Cartridge Filter with 1.5" union sets	1	Refer to price list
7	20710511660	89050711	M8*35 Screw with nut	6	250.00
8	20710511665	89050710	CE603 Return Piping	1	760.00
9	20710511670	87040045	300KG trolley	1	2,200.00
10		88021308	Pump 2.0hp, 220V/50Hz, Single Phase	1	Refer to price list
11	20710511675	01021151	Pouches	2	70.00
12	20710511680	04013199	Cable	1	7,200.00
13	20710511685	04013200	Three-pin plug	1	630.00
14	20710511690	89050712	M6*20 Screw with nut	4	130.00
15	20710511695	89050713	Waterproof Socket with Cable Lock	1	5,200.00
16	20710511700	02100036	EPDM Rubber Stopper	2	130.00



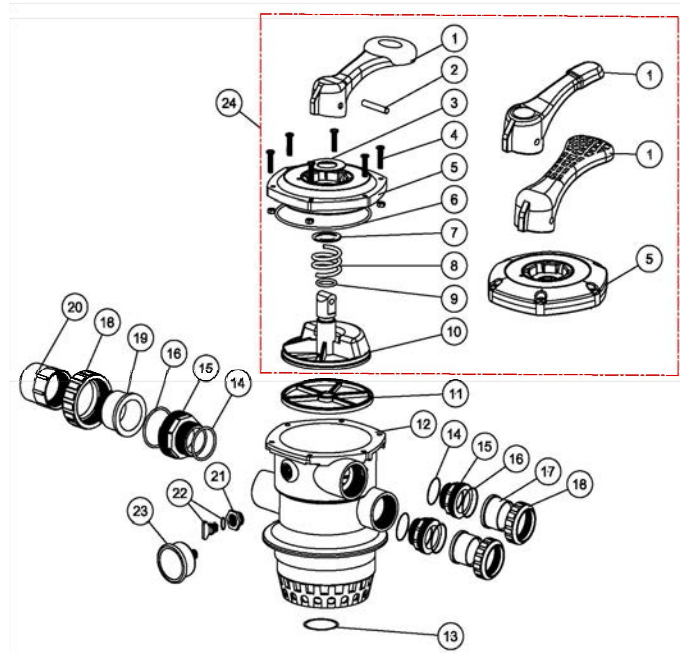
KEY NO.	POOLSPA CODES	PART NO.	DESCRIPTIONS	PIECE (S) REQUIRED	RETAIL PRICE 2022
1	20360510005	01271012	Ringlock Nut	1	1,100.00
2	20320510785	01021004	Spanner for RingLock	1	500.00
3		06011029	Maximum 40PSI Indication, Stainless Steel Casing	1	Refer to price list
4	20360510010	89014027	T-Shape Exhaust Switch	1	130.00
5	20360510015	01201021	Cover	1	1,550.00
6	20360510020	02011036	O-Ring for Cover	1	400.00
7		89033201A	Filter Tank with Base For KOK-65	1	-
7		89033301	Filter Tank with Base For KOK-80	1	-
7		89033401	Filter Tank with Base For KOK-90	1	-
8	20360510025	89033202A	Top Part of the Inner Tank System for KOK-65	1	3,200.00
8	20360510030	89033302	Top Part of the Inner Tank System for KOK-80	1	6,200.00
8	20360510035	89033402	Top Part of the Inner Tank System for KOK-90	1	6,200.00
9	20360510040	89033203	Bottom Part of the Inner Tank System for KOK-65	1	4,200.00
9	20360510045	89033303	Bottom Part of the Inner Tank System for KOK-80	1	7,800.00
9	20360510050	89033403	Bottom Part of the Inner Tank System for KOK-90	1	8,000.00
10	20360510055	01150014	Ball Valve (Metric)	1	1,500.00
11	20320511190	89010107	Water Drain Set	1	400.00
12		88021707	Pump 1.50hp, 220V/50Hz, Single Phase	1	Refer to price list
12		88021308	Pump 2.0hp, 220V/50Hz, Single Phase	1	Refer to price list
12		88021309	Pump 3.0hp, 220V/50Hz, Single Phase	1	Refer to price list
13	20360510060	01150032	1.5" Check Valve for KOK-65	1	2,650.00
13	20360510065	01150020	2.0" Check Valve for KOK-80 & KOK-90	1	4,000.00
14	20360510070	89033204	1.5" connection pipe to control box (KOK-65)	1	17,600.00
14	20360510075	89033304	2" connection pipe to control box (KOK-80/ KOK90)	1	17,600.00
15	20360510080	08080002	Control Panel	1	25,200.00
16		88080203	550W Air Blower 220V/50-60Hz	1	5,000.00
17	20360510085	89033205	1.5" Valve Connector for KOK-65	1	1,700.00
17	20360510090	89033306	2" Valve Connector for KOK-80 & KOK-90	1	2,660.00
18*		88280805	1.5" Valve for KOK-65 (Black or White Colour)	1	4,600.00
18*		88280806	2.0" Valve for KOK-80 & KOK-90 (Black or White Colour)	1	6,700.00

Notes: 18* 88280205B is 1.5" Valve for KOK-65 in Black Colour and 88280205W is 1.5" Valve for KOK-65 in White Colour

18* 88280206B is 1.5" Valve for KOK-65 in Black Colour and 88280206W is 1.5" Valve for KOK-65 in White Colour

Parts of 1.5" TOP MOUNT VALVE Models: MPV-01 & MPV01B

[Back to Table of Content](#)

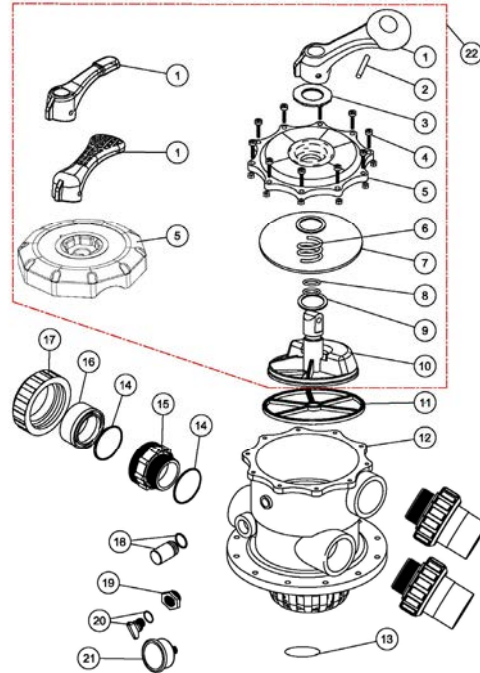


KEY NO.	POOLSPA CODES	PART NO.	DESCRIPTIONS	PIECE (S) REQUIRED	RETAIL PRICE 2022
1	20650510025	01013003	Handle (Big)	1	250.00
1	20650510030	01013002	Handle (Small)	1	250.00
1	20650510035	01013001	Handle (Meshy)	1	250.00
2	20650510040	03018008	Pin for Handle	1	130.00
3	20650510045	01181001	Washer for Handle	1	70.00
4	20650510050	89281203	M6 x 25 Screw with Nut for Camber Lid	6	130.00
4	20650510055	89280107	M6 x 30 Screw with Nut for Standard Lid	6	130.00
5	20650510060	01013154	1.5" Top/Side Mount Valve Standard Lid (Black)	1	630.00
5	20650510065	01050121	1.5" Top/Side Mount Valve Standard Lid (White)	1	630.00
5	20650510070	01013005	1.5" Top/Side Mount Valve Camber Lid (Black)	1	630.00
5	20650510075	01051015	1.5" Top/Side Mount Valve Camber Lid (White)	1	630.00
6	20650510080	02011002	O-Ring for 1.5" Valve Lid	1	130.00
7	20650510085	01181002	Washer for Spring	1	70.00
8	20650510090	03014001	Spring for 1.5" Top/Side Mount Valve	1	1,300.00
9	20650510095	02011022	O-Ring for Valve Rotor	2	130.00
10	20650510100	01021001	1.5" Valve Rotor	1	380.00
11	20650510105	02311002	Spider Gasket	1	450.00
12	20320511345	E190147	1.5" Body with Diffuser (Black)	1	2,100.00
12	20320511350	E190146	1.5" Body with Diffuser (White)	1	2,100.00
13	20650510125	02011001	O-Ring for Diffuser	1	70.00
14	20650510135	02020013	O-Ring for 1.5"Connector	3	130.00
15	20650510140	01013015	1.5" Connector (Black)	3	250.00
15	20650510145	01051013	1.5" Connector (White)	3	250.00
16	20320510195	02011003	O-Ring for 1.5" Adaptor	3	130.00
17	20650510150	01171153	1.5" Union (Imperial/Metric)	2	250.00
18	20650510155	01013017	1.5" Union Nut (Black)	3	250.00
18	20650510160	01051014	1.5" Union Nut (White)	3	250.00
19	20320511355	01041002	1.5" Union with Sight Glass (Short)	1	250.00
20	20320511360	01172026	1.5" Union with Sight Glass Holder	1	250.00
21	20320511305	E190109	Connector for Pressure Gauge/Stopper	1	70.00
22	20650510180	89021307	Drain Plug with O-ring	1	130.00
23	20320511535	06011029	Oil Pressure Gauge with O-ring	1	490.00
23	20320510005	06021013	Plastic Pressure Gauge with O-ring	1	380.00
*24	20650511080	919305061	MPV01/MPV03 upper part	1	2,500.00

Note: item 24 include item 1-10

Parts of 2.0" TOP MOUNT VALVE Models: MPV-02

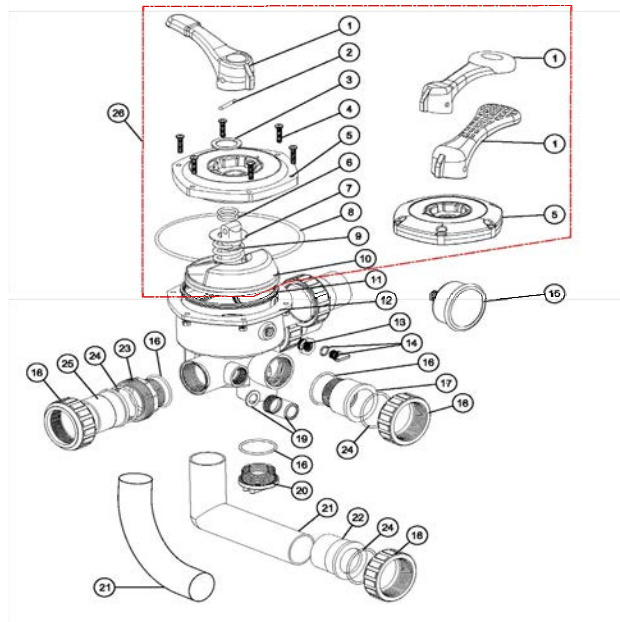
[Back to Table of Content](#)



KEY NO.	POOLSPA CODES	PART NO.	DESCRIPTIONS	PIECE (S) REQUIRED	RETAIL PRICE 2022
1	20650510025	01013003	Handle (Big)	1	250.00
1	20650510030	01013002	Handle (Small)	1	250.00
1	20650510035	01013001	Handle (Meshy)	1	250.00
2	20650510040	03018008	Pin for Handle	1	130.00
3	20650510185	01181027	Washer for Handle	1	70.00
4	20320511365	E190144	M6 x 32 Screw with Nut	10	130.00
5	20650510195	01013019	2.0" Top Mount Valve Standard Lid (Black)	1	1,000.00
5	20650510200	01051030	2.0" Top Mount Valve Standard Lid (White)	1	1,000.00
5	20320511370	01013020	2.0" Top Mount Valve Camber Lid (Black)	1	1,000.00
5	20320511375	01051034	2.0" Top Mount Valve Camber Lid (White)	1	1,000.00
6	20650510215	03014014	Spring for Valve	1	1,300.00
7	20650510220	111002340	O-Ring for 2.0" Top Mount Valve Lid	1	250.00
8	20650510095	02011022	O-Ring for Valve Rotor	2	130.00
9	20650510085	01181002	Washer for Spring	2	70.00
10	20650510225	01021002	2.0" Valve Rotor	1	500.00
11	20650510230	02311003	Spider Gasket	1	650.00
12	20320511380	E190220	2.0" Body with Diffuser (Black)	1	3,200.00
12	20320511385	E190219	2.0" Body with Diffuser (White)	1	3,200.00
12	20320511390	E190221	2.0" Body with Diffuser (Black) TMG	1	3,200.00
13	20650510255	02011005	O-Ring for Diffuser	1	70.00
14	20320510200	111202472	O-Ring for Connector	6	130.00
15	20320511395	430240990	2.0" Connector (Black)	3	250.00
15	20650510265	01051033	2.0" Connector (White)	3	250.00
16	20650510270	430300989	2.0" Union (Imperial/Metric)	3	250.00
17	20650510275	430170991	2.0" Union Nut (Black)	3	250.00
17	20650510280	01051032	2.0" Union Nut (White)	3	250.00
18	20320510245	89280104	Sight Glass with O-Ring	1	130.00
19	20320511305	E190109	Connector for Pressure Gauge/Stopper	1	70.00
20	20650510180	89021307	Drain Plug with O-ring	1	130.00
21	20320511535	06011029	Oil Pressure Gauge with O-ring	1	490.00
21	20320510005	06021013	Plastic Pressure Gauge with O-ring	1	380.00
22	20650511085	919301014	MPV02 upper part	1	3,200.00

Parts of 1.5" SIDE MOUNT VALVE Models: MPV-03

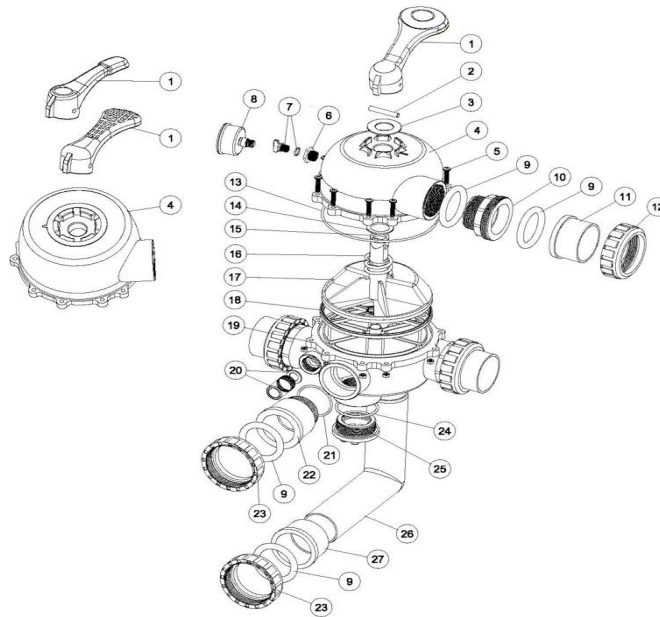
[Back to Table of Content](#)



KEY NO.	POOLSPA CODES	PART NO.	DESCRIPTIONS	PIECE (S) REQUIRED	RETAIL PRICE 2022
1	20650510030	01013002	Handle (Small)	1	250.00
1	20650510025	01013003	Handle (Big)	1	250.00
1	20650510035	01013001	Handle (Meshy)	1	250.00
2	20650510040	03018008	Pin for Handle	1	130.00
3	20650510045	01181001	Washer for Handle	1	70.00
4	20650510050	89281203	M6 x 25 Screw with Nut for Camber Lid	6	130.00
4	20650510055	89280107	M6 x 30 Screw with Nut for Standard Lid	6	130.00
5	20650510060	01013154	Standard Lid (Black)	1	630.00
5	20650510065	01050121	Standard Lid (White)	1	630.00
5	20650510070	01013005	Camber Lid (Black)	1	630.00
5	20650510075	01051015	Camber Lid (White)	1	630.00
6	20650510095	02011022	O-Ring for Valve Rotor	2	130.00
7	20650510085	01181002	Washer for Spring	1	70.00
8	20650510080	02011002	O-Ring for 1.5" Valve Lid	1	130.00
9	20650510090	03014001	Spring	1	1,300.00
10	20650510100	01021001	1.5" Valve Rotor	1	400.00
11	20650510105	02311002	Spider Gasket	1	400.00
12	20650510285	01051021	Bottom Body (White)	1	1,700.00
12	20650510290	01013009	Bottom Body (Black)	1	1,700.00
13	20320511305	E190109	Connector for Pressure Gauge/Stopper	1	70.00
14	20650510180	89021307	Drain Plug with O-ring	1	130.00
15	20320511535	06011029	Oil Pressure Gauge with O-ring	1	490.00
15	20320510005	06021013	Plastic Pressure Gauge with O-ring	1	380.00
16	20650510135	02020013	O-Ring	5	130.00
17	20650510295	01013018	1.5" Union Tale (Black)	1	250.00
17	20650510300	01051022	1.5" Union Tale (White)	1	250.00
18	20650510160	01051014	1.5" Union Nut (White)	5	250.00
18	20650510155	01013017	1.5" Union Nut (Black)	5	250.00
19	20320510245	89280104	Sight Glass with O-Ring	1	130.00
20	20650510305	01051023	1.5" Plug(White)	1	130.00
20	20650510310	01013100	1.5" Plug (Black)	1	130.00
21	20650510315	01051194	1.5" Elbow Tube (White) 175mm	1	760.00
21	20650510320	01013117	1.5" Elbow Tube (Black) 175mm	1	760.00
21	20650511045	01050113	1.5" Curved Tube (White) 180mm	1	760.00
21	20650511050	01013149	1.5" Curved Tube (Black) 180mm	1	760.00
21	20650510325	01051193	1.5" Elbow Tube (White) 120mm	1	760.00
21	20650510330	01013116	1.5" Elbow Tube (Black) 120mm	1	760.00
22	20650510335	01171002	1.5" Union Adaptor (Metric)	1	250.00
23	20650510140	01013015	1.5" Connector (Black)	3	250.00
23	20650510145	01051013	1.5" Connector with External Thread (White)	3	250.00
24	20320510195	02011003	O-Ring for 1.5" adaptor	3	130.00
25	20650510150	01171153	1.5"Union (A/E)	3	250.00
26	20650511080	919305061	MPV01/MPV03 upper part	1	2,500.00

Parts of 2.0" SIDE MOUNT 6-WAY VALVE Models: MPV-04

[Back to Table of Content](#)

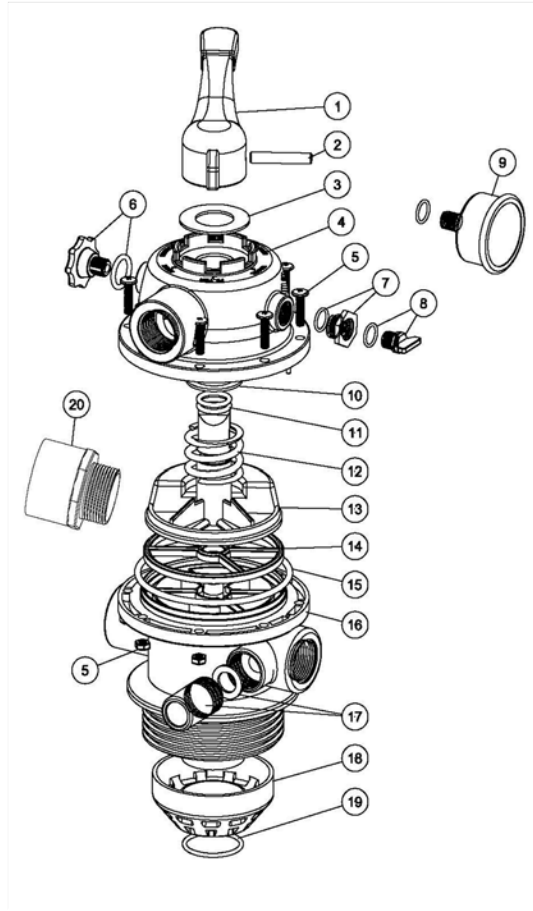


KEY NO.	POOLSPA CODES	PART NO.	DESCRIPTIONS	PIECE (S) REQUIRED	RETAIL PRICE 2022
1	20650510025	01013003	Handle (Big)	1	250.00
1	20650510030	01013002	Handle (Small)	1	250.00
1	20650510035	01013001	Handle (Meshy)	1	250.00
2	20650510040	03018008	Pin for Handle	1	130.00
3	20650510045	01181001	Washer for Handle	1	70.00
4	20650510340	01013022	Rotundity Lid (Black)	1	1,550.00
4	20650510345	01051025	Rotundity Lid (White)	1	1,550.00
4	20650510350	01013156	Squareness Lid (Black)	1	1,550.00
4	20650510355	01050123	Squareness Lid (White)	1	1,550.00
5	20320511365	E190144	M6 x 33B Screw with Nut	10	130.00
6	20320511305	E190109	Connector for Pressure Gauge/Stopper	1	70.00
7	20650510180	89021307	Drain Plug with O-Ring	1	130.00
8	20320511535	06011029	Oil Pressure Gauge with O-Ring	1	490.00
9	20320510200	02020016	O-Ring for Connector	8	130.00
10	20650510270	430300989	2.0" Connector (Black)	3	250.00
10	20650510265	01051033	2.0" Connector (White)	3	250.00
11	20650510270	430300989	2.0" Union (Imperial/Metric)	3	700.00
12	20650510275	430170991	2.0" Union Nut (Black)	3	250.00
12	20650510280	01051032	2.0" Union Nut (White)	3	250.00
13	20650510360	02011009	O-Ring for 2.0" valve Lid	1	220.00
14	20650510085	01181002	Washer for Spring	1	70.00
15	20650510095	02011022	O-Ring for Valve Rotor	2	130.00
16	20650510215	03014014	Spring for Valve	1	1,300.00
17	20650510225	01021002	2.0" Valve Rotor	1	650.00
18	20650510230	02311003	Spider Gasket	1	330.00
19	2065051365	01013026	Bottom Body (Black)	1	2,200.00
19	20650510370	01051027	Bottom Body (White)	1	2,200.00
20	20320510245	89280104	Sight Glass with O-Ring	1	130.00
21	20650510375	02020018	O-Ring for Union Tale	1	70.00
22	20650510380	01013099	2.0" Union Tale (Black)	1	250.00
22	20650510385	01051035	2.0" Union Tale (White)	1	250.00
23	20650510390	01013034	2.0" Union Nut (Black)	2	250.00
23	20650510395	01051028	2.0" Union Nut (White)	2	250.00
24	20650510400	02020017	O-Ring for Plug	1	130.00
25	20650510405	01013101	2.0" Side Mount Valve Plug (Black)	2	130.00
25	20650510410	01051029	2.0" Side Mount Valve Plug (White)	2	130.00
26	20650511055	01013148	2.0" Elbow Tube 130mm (Black)	1	500.00
26	20650511060	01051257	2.0" Elbow Tube 130mm (White)	1	500.00
26	20650510415	01013118	2.0" Elbow Tube 220mm (Black)	1	1,150.00
26	20650510420	01051195	2.0" Elbow Tube 220mm (White)	1	1,150.00
26	20650511065	01013150	2.0" Curved Tube 220mm (Black)	1	1,150.00
26	20650511070	01050114	2.0" Curved Tube 220mm (White)	1	1,150.00
27	20650510425	01171035	2.0" Union Adaptor (Metric)	1	250.00

1.5" TOP MOUNT VALVE REPLACEMENT PARTS

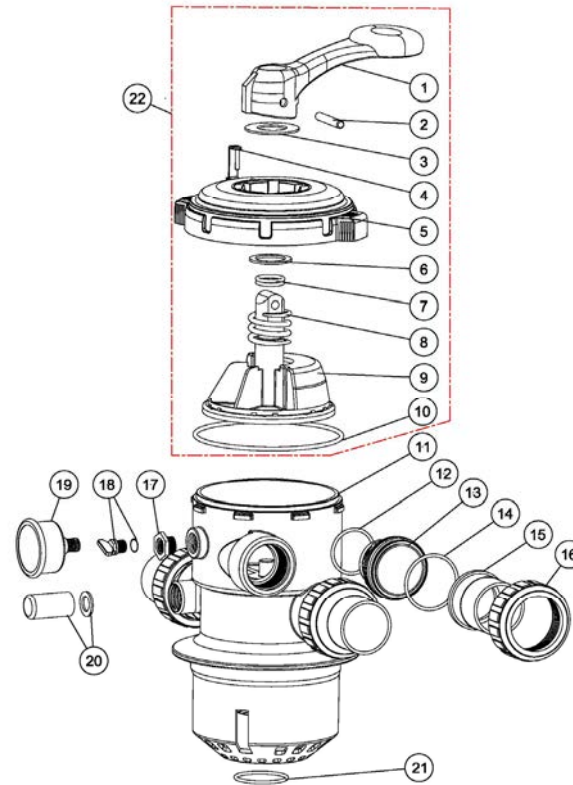
Parts of 1.5" TOP MOUNT HIGH-PRESSURE VALVE Models: MPV-06

[Back to Table of Content](#)



KEY NO.	POOLSPA CODES	PART NO.	DESCRIPTIONS	PIECE (S) REQUIRED	RETAIL PRICE 2022
1	20650510505	01013042	Handle	1	130.00
2	20650510510	03018010	Pin for Handle	1	250.00
3	20650510045	01181001	Washer for Handle	1	70.00
4	20650510515	01270002	1.5" High-Pressure Valve Cover	1	630.00
5	20650510520	89281203	M6 x 25 Screw with Nut	8	130.00
6	20650511090	89281202	1" High-Pressure Valve Air Release Valve with O-Ring	1	70.00
7	20320511305	E190109	Drain Plug Fitting with O-ring	1	70.00
8	20650510180	89021307	Drain Plug with O-Ring	1	130.00
9	20710511695	06011031	S/S Pressure Gauge with O-ring (100Psi)	1	800.00
10	20650510085	01181002	Washer for Spring	1	70.00
11	20650510535	02010001	O-Ring for Rotor	2	70.00
12	20650510215	03014014	Spring for Valve	1	220.00
13	20650510540	01021005	Rotor	1	400.00
14	20650510545	02011012	Spider Gasket	1	300.00
15	20650510550	02011144	O-Ring for 1" High-Pressure Valve Body	1	130.00
16	20650510555	01020008	1" High-Pressure Valve Body Assembly	1	1,400.00
17	20320510245	89280104	Sight Glass with O-Ring	1	130.00
18	20650510560	01013043	Diffuser	1	130.00
19	20650510565	02011016	O-Ring for Diffuser	1	70.00
20	20650510575	01150001	1" Union(A)	3	250.00
20	20650510580	01150050	1" Union(E)	3	250.00

1.5" CLAMP TYPE MULTIPORT VALVE REPLACEMENT PARTS

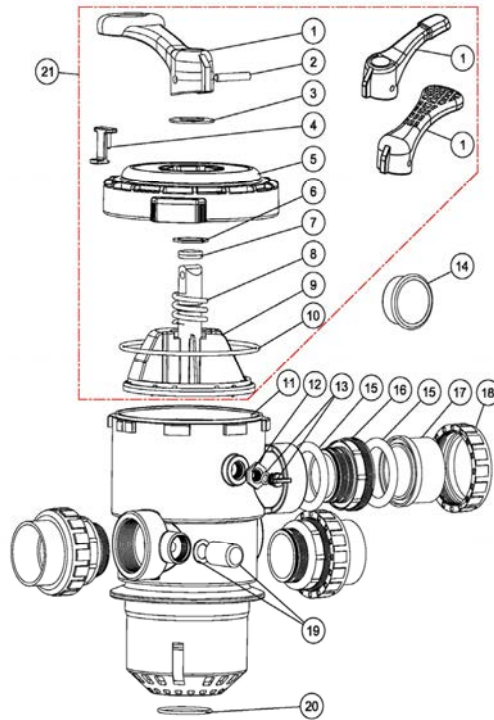

Parts of 1.5" CLAMP TYPE MULTIPORT VALVE Models: MPV-07
[Back to Table of Content](#)


KEY NO.	POOLSPA CODES	PART NO.	DESCRIPTIONS	PIECE (S) REQUIRED	RETAIL PRICE 2022
1	20650510025	01013003	Handle (Big)	1	250.00
2	20650510040	03018008	Pin for Handle	1	130.00
3	20650510185	01181027	Washer for Handle	1	70.00
4	20650510585	01181029	Defend Lock	1	70.00
5	20650510590	01020003	1.5" Lid	1	1,050.00
6	20650510085	01181002	Washer for Spring	1	70.00
7	20650510095	02011022	O-Ring for Valve Rotor	2	130.00
8	20650510090	03014001	Spring	1	1,300.00
9	20650510595	89280701	1.5" Valve Rotor with Spider Gasket	1	800.00
10	20650510600	02010002	O-Ring for Lid	1	130.00
11	20320511400	E190136	1.5" Body with Diffuser	1	2,300.00
12	20650510135	02020013	O-Ring for 1.5"Connector	3	130.00
13	20650510140	01013015	1.5" Connector (Black)	3	250.00
13	20650510145	01051013	1.5" Connector (White)	3	250.00
14	20320510195	02011003	O-Ring for 1.5" Adaptor	3	130.00
15	20650510150	01171153	1.5" Union (A/E)	3	250.00
16	20650510155	01013017	1.5" Union Nut (Black)	3	250.00
16	20650510160	01051014	1.5" Union Nut (white)	3	250.00
17	20320511305	E190109	Connector for Pressure Gauge/Stopper	1	70.00
18	20650510180	89021307	Drain Plug with O-Ring	1	130.00
19	20320510005	06021013	Pressure Gauge with O-Ring (40Psi)	1	380.00
20	20320510245	89280104	Sight Glass with O-Ring	1	130.00
21	20650510125	02011001	O-Ring for Diffuser	1	70.00
22	20320511405	919301022	MPV07 Upper Part	1	2,600.00

Note: item 22 include item 1-10

Parts of 2.0" CLAMP TYPE MULTIPORT VALVE Models: MPV-08

[Back to Table of Content](#)

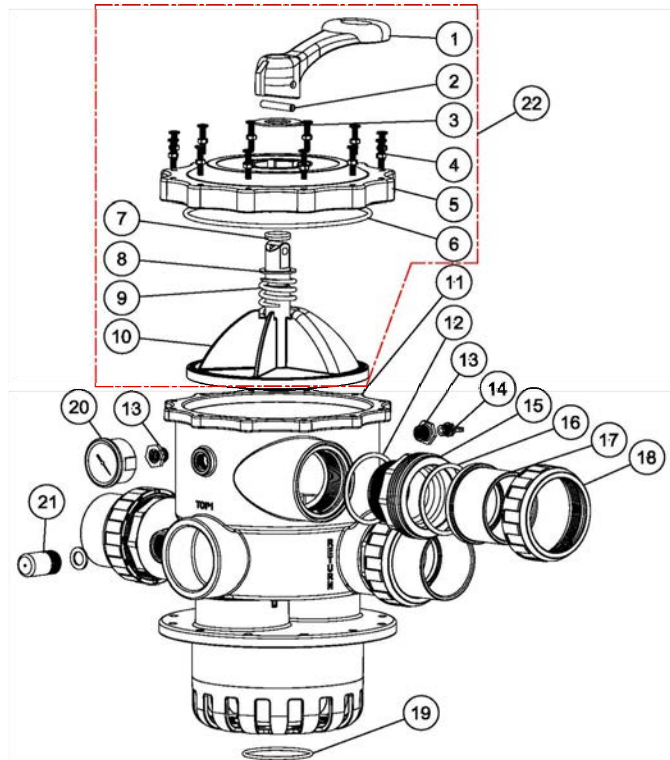


KEY NO.	POOLSPA CODES	PART NO.	DESCRIPTIONS	PIECE (S) REQUIRED	RETAIL PRICE 2022
1	20650510025	01013003	Handle (Big)	1	250.00
1	20650510030	01013002	Handle (Small)	1	250.00
1	20650510035	01013001	Handle (Meshy)	1	250.00
2	20650510040	03018008	Pin for Handle	1	130.00
3	20650510185	01181027	Washer for Handle	1	70.00
4	20650510615	01181028	Defend Lock	1	70.00
5	20650510620	01020009	2.0" Lid	1	1,550.00
6	20650510085	01181002	Washer for Spring	1	70.00
7	20650510095	02011022	O-Ring for Valve Rotor	2	130.00
8	20650510215	03014014	Spring for Valve	1	1,300.00
9	20650510625	89280805	2.0" Valve Rotor with Spider Gasket	1	920.00
10	20650510630	02010003	O-Ring for Lid	1	130.00
11	20320511410	E190213	2.0" Body with Diffuser	1	3,450.00
12	20320511305	E190109	Connector for Pressure Gauge/Stopper	1	70.00
13	20650510180	89021307	Drain Plug with O-Ring	1	130.00
14	20320511535	06011029	Oil Pressure Gauge with O-Ring (40Psi)	1	490.00
14	20320510005	06021013	Pressure Gauge with O-Ring (40Psi)	1	380.00
15	20320510200	02020016	1.5" Union Nut (Black)	6	130.00
16	20650510270	430300989	2.0" Connector (Black)	3	250.00
16	20650510265	01051033	2.0" Connector (White)	3	250.00
17	20650510270	430300989	2.0" Union (Imperial/Metric)	3	250.00
18	20650510275	430170991	2.0" Union Nut (Black)	3	250.00
18	20650510280	01051032	2.0" Union Nut (White)	3	250.00
19	20320510245	89280104	Sight Glass with O-Ring	1	130.00
20	20650510255	02011005	O-Ring for Diffuser	1	70.00
21	20320511415	919301023	MPV08 Upper Part	1	3,680.00

Note: item 21 include item 1-10

Parts of 2.5" TOP MOUNT VALVE Models: MPV-12

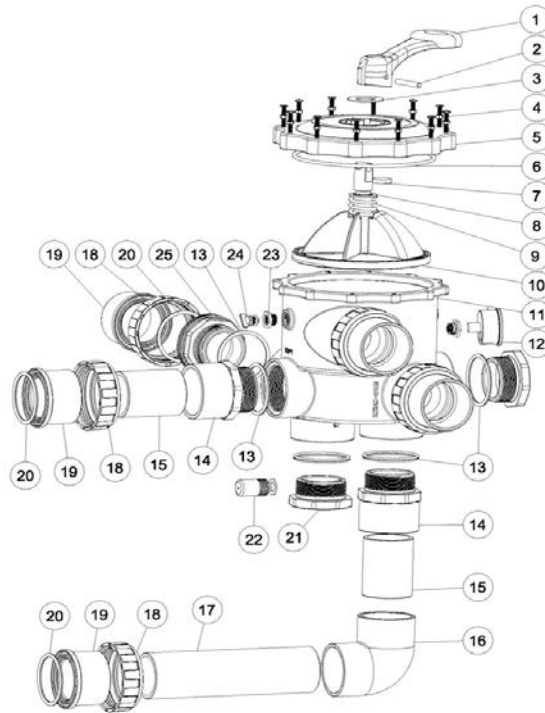
[Back to Table of Content](#)



KEY NO.	POOLSPA CODES	PART NO.	DESCRIPTIONS	PIECE (S) REQUIRED	RETAIL PRICE 2022
1	20650510025	01013003	Handle (Big)	1	350.00
2	20650510040	03018008	Pin for Handle	1	140.00
3	20650510185	01181027	Washer for Handle	1	60.00
4	20650510645	89281204	M6 x 33 "T" Screw with Nut	12	120.00
5	20650510650	01021129	Standard Lid (Black)	1	1,700.00
6	20650510655	02010228	O-Ring for 2.5" Valve Lid	1	170.00
7	20650510095	02011022	O-Ring for Valve Rotor	2	120.00
8	20650510085	01181002	Washer for Spring	1	60.00
9	20650510215	03014014	Spring for Valve	1	1,300.00
10	20650510660	89280806	2.5" Valve Rotor with Spider Gasket (Black)	1	1,200.00
11	20650510665	89280115	Bottom Body with Diffuser(Black)	1	7,000.00
12	20650510670	02020053	O-Ring for 2.5"Union	3	60.00
13	20320511305	E190109	Connector for Pressure Gauge/Stopper	2	60.00
14	20650510180	89021307	Drain Plug with O-Ring	2	120.00
15	20650510675	01013143	2.5" Connector (Black)	3	360.00
16	20650510680	111040024	O-ring D80.5*5.3 * Replac 02010043	3	120.00
17	20320511420	430300985	2.5" Union Adaptor	3	300.00
18	20650510690	01013147	2.5" Nut for Connector	3	300.00
19	20650510695	02010044	O-Ring for Diffuser	1	120.00
20	20320511535	06011029	Oil Pressure Gauge with O-Ring (40Psi)	1	490.00
21	20320510245	89280104	Sight Glass with O-Ring	1	120.00
22	20320511095	919301026	MPV12 upper Part	1	1,700.00

Parts of 2.5" SIDE MOUNT 6-WAY VALVE Models: MPV-13

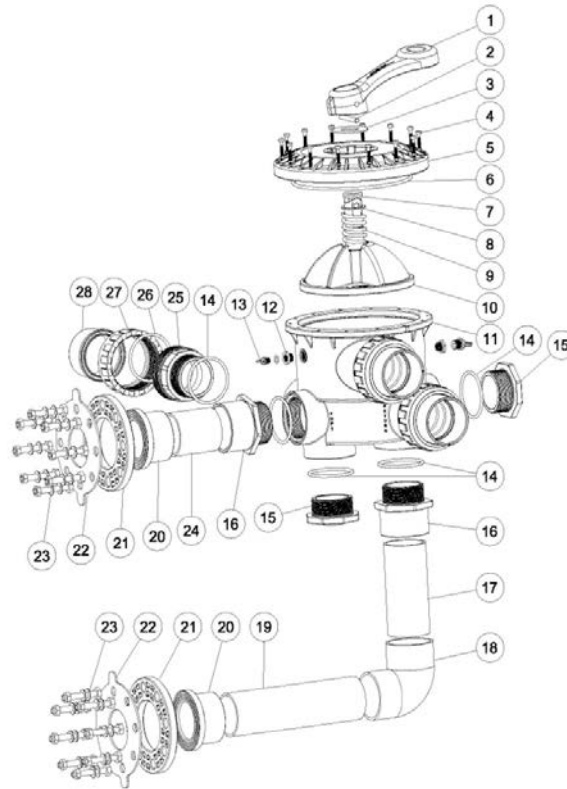
[Back to Table of Content](#)



KEY NO.	POOLSPA CODES	PART NO.	DESCRIPTIONS	PIECE (S) REQUIRED	RETAIL PRICE 2022
1	20650510025	01013003	Handle (Big)	1	250.00
2	20650510040	03018008	Pin for Handle	1	130.00
3	20650510185	01181027	Washer for Handle	1	70.00
4	20650510645	89281204	M6 x 33 *T* Screw with Nut	12	130.00
5	20650510650	01021129	2.5" Side Mount Valve Standard Lid (White)	1	1,800.00
6	20650510655	02010228	O-Ring for 2.5" Valve Lid	1	250.00
7	20650510095	02011022	O-Ring for Valve Rotor	2	70.00
8	20650510085	01181002	Washer for Spring	1	70.00
9	20650510215	03014014	Spring for Valve	1	130.00
10	20650510660	89280806	2.5" Valve Rotor with Spider Gasket	1	1,200.00
11	20650510700	01021128	2.5" Side Mount Valve Bottom Body (White)	1	6,500.00
12	20320510005	06011032	Oil Pressure Gauge with O-ring (40Psi)	1	920.00
13	20650510670	02020053	O-Ring for 2.5" Union	7	70.00
14	20650510705	01171159	2.5" Union	2	380.00
15	20650510710	01150180	2.5" PVC Tube 90mm	2	130.00
16	20650510715	01150181	2.5" Elbow Tube	1	800.00
17	20650510720	01150180L	2.5" PVC Tube 270mm	1	600.00
18	20650510690	01013147	2.5" Connector (Black)	2	250.00
18	20650510725	01051243	2.5" Connector (White)	3	130.00
19	20650511025	01171158W	2.5" Union Adaptor (White)	5	380.00
20	20650510680	111040024	O-ring D80.5*5.3 * Replac 02010043	5	70.00
21	20650510730	01051240	2.5" Side Mount Valve Plug (White)	2	300.00
22	20320510245	89280104	Sight Glass with O-Ring	1	130.00
23	20320511305	E190109	Connector for Pressure Gauge/Stopper	2	70.00
24	20650510180	89021307	Drain Plug with O-Ring	2	130.00
25	20650511035	01013143W	2.5" Connector (White)	3	380.00

Parts of 3.0" SIDE MOUNT 6-WAY VALVE Models: MPV-14

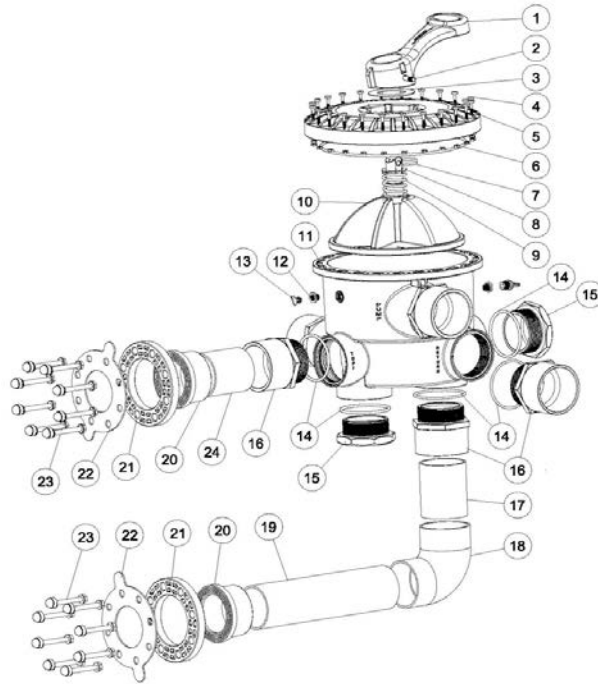
[Back to Table of Content](#)



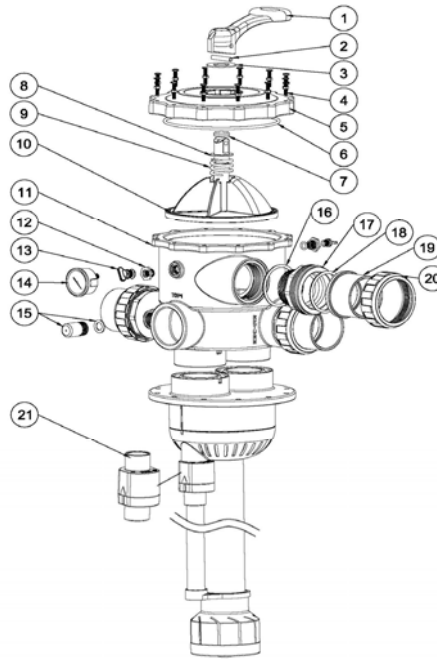
KEY NO.	POOLSPA CODES	PART NO.	DESCRIPTIONS	PIECE (S) REQUIRED	RETAIL PRICE 2022
1	20650510735	01112062	3" Handle	1	700.00
2	20650510740	03018162	Pin for Handle	1	700.00
3	20650510745	01181048	Washer for Handle	1	70.00
4	20650510645	89281204	M6 x 33 T Screw with Nut	14	130.00
5	20650510750	01021132	Standard Lid	1	4,100.00
6	20650510755	02010218	O-Ring for 3" Valve Lid	1	250.00
7	20650510760	02010219	O-Ring for 3" Valve Rotor	2	70.00
8	20650510765	01181049	Washer for Spring	1	70.00
9	20650510770	03014024	Spring	1	700.00
10	20650510775	89280807	3" Valve Rotor with Spider Gasket	1	2,200.00
11	20650510780	01021131	Bottom Body	1	8,300.00
12	20320511305	E190109	Connector for Pressure Gauge/Stopper	2	70.00
13	20650510180	89021307	Drain Plug with O-Ring	2	130.00
14	20650510785	02021060	O-Ring for 3" Union	7	130.00
15	20650510790	01112059	Plug	2	500.00
16	20650510795	01170092	3" Union(A)	2	380.00
17	20650510800	01151001	3" PVC Tube 95mm	1	250.00
18	20650510805	01151031	Elbow Pipe Imperial 3"	1	1,400.00
19	20650510810	01151001L	3" PVC Tube 310mm	1	500.00
20	20650510815	01170025	3" Union (A)	2	380.00
21	20320511425	01271039	3" Flange	2	500.00
22	20650510825	02041005	3" Washer $\phi 196 \times \phi 84 \times 4$	2	1,550.00
23	20650510830	89281206	M12 x 90 Screw with Nut	16	250.00
24	20650510835	01151001E	3" PVC Tube 185mm	1	380.00
25	20650510840	01112060	3" Connector	3	500.00
26	20650510845	02010221	O-Ring for Union Adaptor	3	130.00
27	20650510850	01112061	3" Connector Nut	3	500.00
28	20650510855	01170094	3" Union Adaptor (Imperial)	3	380.00
28	20650510860	01170095	3" Union Adaptor (Metric)	3	250.00

Parts of 4.0" SIDE MOUNT 6-WAY VALVE Models: MPV-15

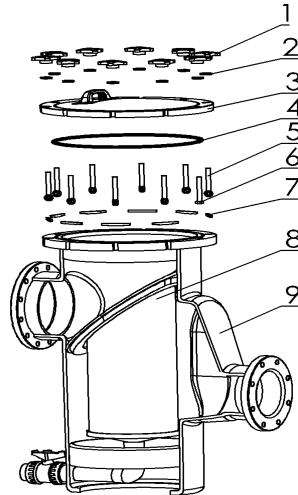
[Back to Table of Content](#)



KEY NO.	POOLSPA CODES	PART NO.	DESCRIPTIONS	PIECE (S) REQUIRED	RETAIL PRICE 2022
1	20650510865	01112052	4" Handle	1	1,000.00
2	20650510870	03018161	Pin for Handle	1	800.00
3	20650510875	01181061	Washer for Handle	1	70.00
4	20650510880	89281205	M6 x 42 Screw with Nut	24	130.00
5	20650510885	01112053	Standard Lid	1	6,000.00
6	20650510890	02010214	O-Ring for 4" Valve Lid	1	400.00
7	20650510895	02010215	O-Ring for 4" Valve Rotor	2	130.00
8	20650510900	01181062	Washer for Spring	1	70.00
9	20650510905	03014023	Spring	1	630.00
10	20650510910	89280808	4" Valve Rotor with Spider Gasket	1	3,300.00
11	20650510915	01112055	Bottom Body	1	12,400.00
12	20650510175	E190109	Connector for Pressure Gauge/Stopper	2	70.00
13	20650510180	89021307	Drain Plug with O-Ring	2	130.00
14	20650510920	02021061	O-Ring for 4" Side Mount Valve Plug	7	250.00
15	20650510925	01112056	Plug	2	630.00
16	20650510930	01150184	4" Union	2	2,100.00
17	20650510935	01151002M	4" PVC Tube 140mm	1	400.00
18	20650510940	01151032	Elbow Pipe Imperial 4"	1	2,400.00
19	20650510945	01151002L	4" PVC Tube 410mm	1	1,000.00
20	20650510950	01170027	4" Union (A)	2	630.00
21	20650510955	01170026	4" Flange	2	800.00
22	20650510960	02041006	4" Washer $\phi 214 \times \phi 109 \times 4$	2	250.00
23	20650510965	89281207	M12 x 100 Screw with Nut	16	250.00
24	20650510970	01151002N	4" PVC Tube 120mm	1	400.00



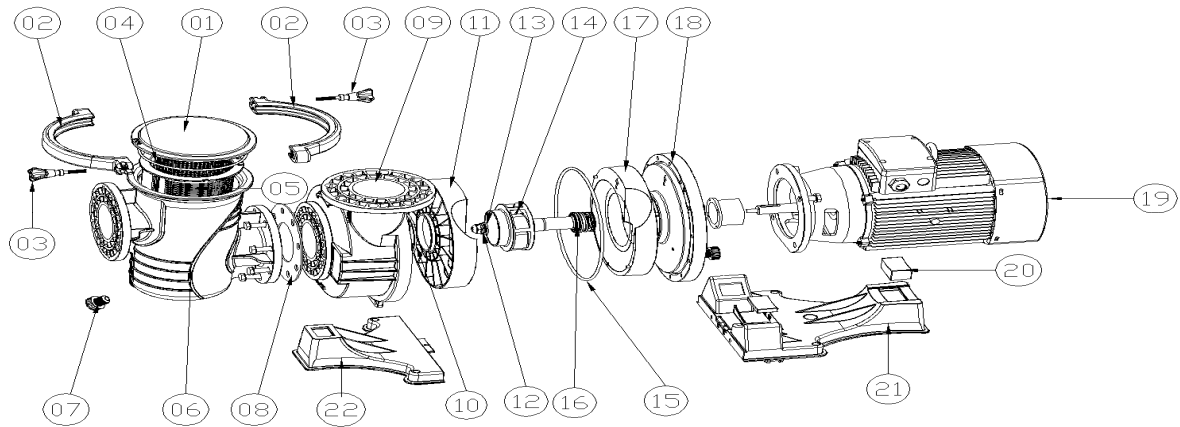
KEY NO.	POOLSPA CODES	PART NO.	DESCRIPTIONS	PIECE (S) REQUIRED	RETAIL PRICE 2022
1	20650510025	01013003	Handle (Big)	1	230.00
2	20650510040	03018008	Pin for Handle	1	120.00
3	20650510185	01181027	Washer for Handle	1	60.00
4	20650510645	89281204	M6*33 T Screw with Nut	12	120.00
5	20650510650	01021129	2.5"Top Mount Valve Standard Lid (Black)	1	1,700.00
6	20650510655	02010228	O-Ring for 2.5" Valve Lid	1	230.00
7	20650510095	02011022	O-Ring for 2.5" Valve Rotor	2	120.00
8	20650510085	01181002	Washer for Spring	1	60.00
9	20650510215	03014014	Spring for 2.5" Side Mount Valve	1	1,300.00
10	20650510660	89280806	2.5" Valve Rotor With Spider Gasket	1	1,000.00
11	20650511045	89281701	2.5" Side Mount Valve Bottom Body with Diffuser(Black) for LF700	1	9,300.00
11	20650511050	89281702	2.5" Side Mount Valve Bottom Body with Diffuser(Black) for LF800	1	9,300.00
11	20650511055	89281703	2.5" Side Mount Valve Bottom Body with Diffuser(Black) for LF900	1	9,300.00
12	20320510850	89280120	Drain Plug Fitting with O-ring	1	60.00
13	20650510180	89021307	Drain Plug with O'Ring (Black)	2	120.00
14	20650511060	06011030	Oil Pressure Gauge With O-ring (60 psi)	1	800.00
15	20320510245	89280104	Sight Glass With O-Ring	1	120.00
16	20650510670	02020053	O-Ring for 2.5"Union	3	60.00
17	20650510675	01013143	2.5"Connector(Black)	3	460.00
18	20650511065	111040024	O-Ring for Union Adaptor	3	120.00
19	20650510685	01171158	1.5"Union (A/E)(black)	3	350.00
20	20650510690	01013147	2.5"Connector (black)	3	350.00
21	20650511070	08020028	1" Check Valve (Metric)	1	230.00



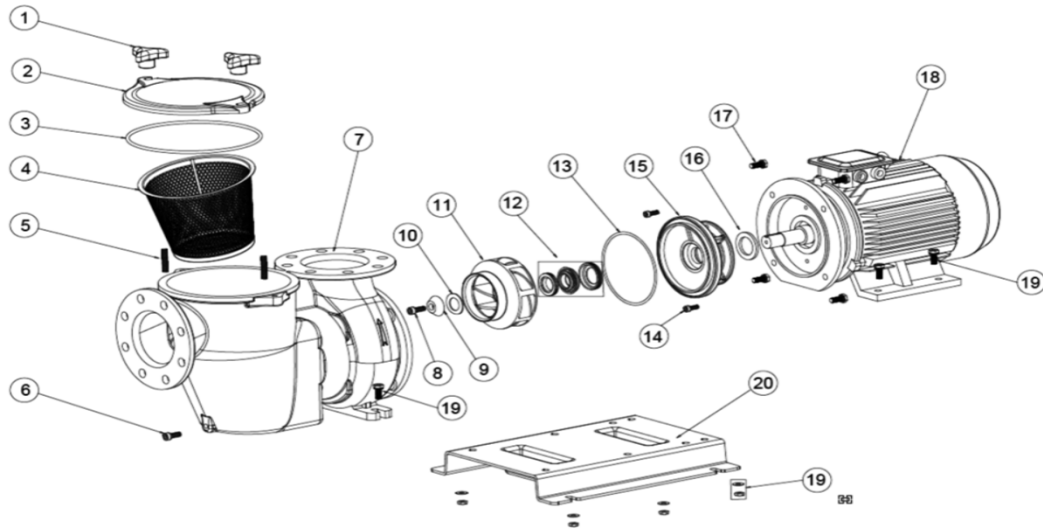
KEY NO.	POOLSPA CODES	PART NO.	DESCRIPTIONS	PIECE (S) REQUIRED	RETAIL PRICE 2022
1	20650511100	550014554	Star Nut	8	300.00
2	20650511105	112000039	Gasket M16x40x6 (304)	8	400.00
3	20650511110	E210412	Lid set for MER150-100S/ 200-150S	1	10,700.00
3	20650511115	E210415	Lid set for MER250-200S/ 300-200S	1	12,400.00
4	20650511120	111010017	Gasket D482xD454x10	1	1,500.00
4	20650511125	111010016	Gasket D537xD509x10.5	1	1,700.00
5	20650511130	112010040	Lifting Screw M16x130	7	700.00
6	20650511135	112010032	Hexagonal Screw M16x130 (316)	1	700.00
6	20650511140	112270617	Gasket M16 (316)	1	150.00
7	20650511145	640086880	Screw Hanger	7	250.00
8	20650511150	640047326	Basket for MER150-100S	1	9,200.00
8	20650511155	640047327	Basket for MER200-150S	1	11,300.00
8	20650511160	640047328	Basket for MER250-200S	1	12,600.00
8	20650511165	640047329	Basket for MER300-200S	1	14,700.00
9	20650511170	E210413	Strainer Set for MER150-100S	1	104,000.00
9	20650511175	E210414	Strainer Set for MER200-150S	1	116,000.00
9	20650511180	E210416	Strainer Set for MER250-200S	1	131,000.00
9	20650511185	E210417	Strainer Set for MER300-200S	1	175,000.00

Parts of APS Models: APS550P/APS750P/APS1500P

[Back to Table of Content](#)



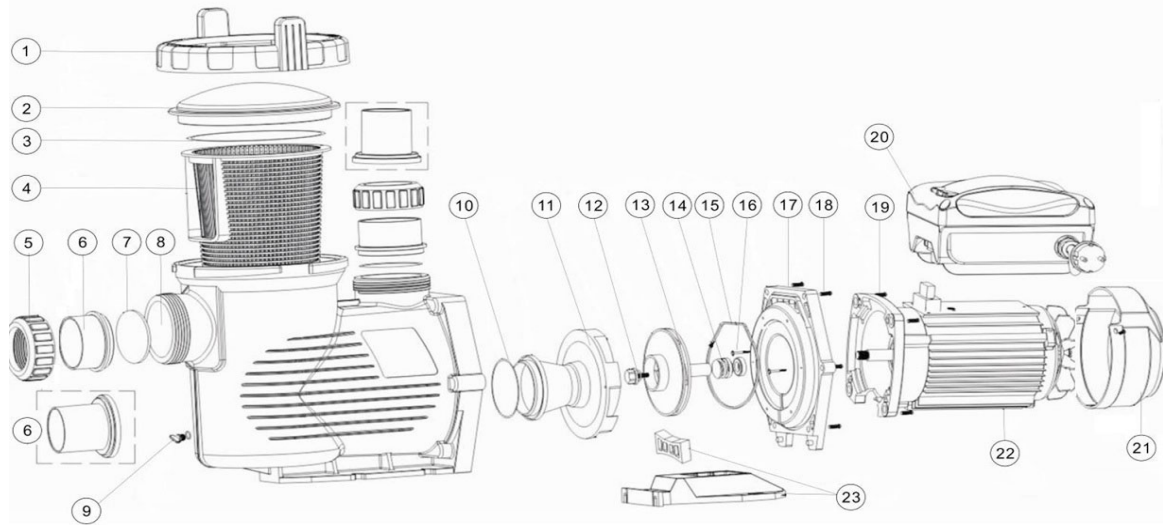
KEY NO.	POOLSPA CODES	PART NO.	DESCRIPTIONS	PIECE (S) REQUIRED	RETAIL PRICE 2022
1	20710511780	420386559	Transparen Lid(APS5.5HP-7.5HP)	1	1,300.00
1	20710511785	420386556	Transparen Lid(APS10HP-15HP)	1	3,000.00
2	20710511790	420556559	Neck Clip(APS5.5-APS7.5HP)	2	800.00
2	20710511795	420556556	Neck Clip(APS10HP-15HP)	2	1,300.00
3	20710511800	420566559	Lid Fastenter(APS5.5HP-7.5HP)	2	250.00
3	20710511805	420566556	Lid Fastenter(APS10HP-15HP)	2	250.00
4	20710511810	111010040	Transparen Lid O-Ring(APS5.5HP-7.5HP)	1	250.00
4	20710511815	111010037	Transparen Lid O-Ring(APS10HP-15HP)	1	500.00
5	20710511820	420236559	Basket(APS5.5HP-7.5HP)	1	1,000.00
5	20710511825	420236556	Basket(APS10HP-15HP)	1	3,500.00
6	20710511830	420246559	Pre-Filter Body(APS5.5HP-7.5HP)	1	7,100.00
6	20710511835	420246556	Pre-Filter Body(APS10HP-15HP)	1	33,400.00
7	20710511840	4100110754	Drain Plug	2	130.00
7	20710511845	111002530	Ding-Qing O-ring	2	130.00
8	20710511850	111322402	O-ring(APS5.5HP-7.5HP)	1	500.00
8	20710511855	111042408	O-ring(APS10HP-15HP)	1	600.00
9	20710511860	420336559	Pump Body(APS5.5HP-7.5HP)	1	4,500.00
9	20710511865	420336556	Pump Body(APS10HP-15HP)	1	10,100.00
10	20710511870	111010041	O-ring(APS5.5HP-7.5HP)	1	250.00
10	20710511875	111010038	O-ring(APS10HP-15HP)	1	250.00
11	20710511880	420576571	Volute foreside(APS5.5HP-7.5HP)	1	1,400.00
11	20710511885	420576569	Volute foreside(APS10HP-15HP)	1	3,500.00
12	20710511890	420586559	Impeller Nut(APS5.5HP-7.5HP)	1	250.00
12	20710511895	204146175	Impeller Nut(APS10HP-15HP)	1	250.00
13	20710511900	111042406	O-ring(APS5.5HP-7.5HP)	1	130.00
13	20710511905	111030009	O-ring(APS10HP-15HP)	1	250.00
14	20710511910	420366716	Impeller APS5.5HP	1	4,000.00
14	20710511915	420366560	Impeller APS7.5HP	1	4,000.00
14	20710511920	E024002	Impeller APS10HP	1	4,000.00
14	20710511925	E024001	Impeller APS15HP	1	4,000.00
15	20710511930	111010042	O-ring for flange(APS5.5HP-7.5HP)	1	520.00
15	20710511935	111010039	O-ring for flange(APS10HP-15HP)	1	520.00
16	20710511940	113006715	Mechanical Seal(APS5.5HP-7.5HP)	1	6,300.00
16	20710511945	113006710	Mechanical Seal(APS10HP-15HP)	1	8,050.00
17	20710511950	420576572	Volute hindside(APS5.5HP-7.5HP)	1	1,400.00
17	20710511955	420576570	Volute hindside(APS10HP-15HP)	1	3,700.00
18	20710511960	420206559	Flange(APS5.5HP-7.5HP)	1	5,300.00
18	20710511965	420206556	Flange(APS5.5HP-7.5HP)	1	12,700.00
19	20710511970	104036713	Motor(APS5.5HP)	1	-
19	20710511975	104036714	Motor(APS7.5HP)	1	-
19	20710511980	104036711	Motor(APS10HP)	1	-
19	20710511985	104036712	Motor(APS15HP)	1	-
20	20710511990	111000028	Arch Cushion (APS5.5HP-7.5HP)	1	520.00
20	20710511995	111000027	Arch Cushion APS(15HP)	1	2,500.00
20	20710512000	111000026	Arch Cushion APS(10HP)	1	1,400.00
21	20710512005	420126568	Rear of Base(APS5.5HP-7.5HP)	1	1,400.00
21	20710512010	420126564	Rear of Base(APS10HP-15HP)	1	4,300.00
22	20710512015	420126567	Front part of Base(APS5.5HP-7.5HP)	1	750.00
22	20710512020	420126563	Front part of Base(APS10HP-15HP)	1	3,100.00



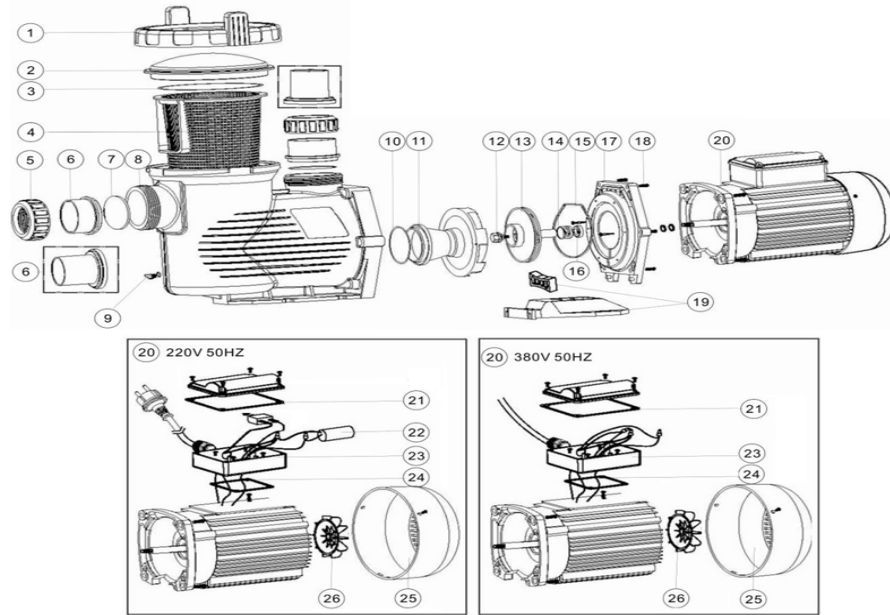
KEY NO.	POOLSPA CODES	PART NO.	DESCRIPTIONS	PIECE (S) REQUIRED	RETAIL PRICE 2022
1	20710512025	03042009	Lid Fastener with Bolt	2	1,000.00
2	20710511320	03042010	Lid for SE pump	1	3,800.00
3	20710511325	02011148	Lid O-ring	1	400.00
4	20710511330	03018039	Basket	1	7,400.00
5	20710512030	03018163	Boft	2	400.00
6	20710512035	03011136	Drain Plug	1	250.00
7	20710512040	03040206	Pump Body(SE5.5:SE7.5)	1	16,100.00
7	20710512045	03040207	Pump Body(SE10:SE15)	1	33,400.00
8	20710512050	03011086	M8×30 Bolt	1	130.00
9	20710512055	03018101	Cone-shape washer for SE5.5:SE7.5 impeller	1	600.00
9	20710512060	03018102	Cone-shape washer for SE10:SE15 impeller	1	700.00
10	20710512065	87013025	Slinger for SE5.5:SE7.5 impeller	1	130.00
10	20710512070	87013024	Slinger for SE10:SE15 impeller	1	130.00
11	20710512075	03018096	Stainless Steel impeller SE5.5	1	17,300.00
11	20710512080	03018097	Stainless Steel impeller SE7.5	1	17,300.00
11	20710512085	03018098	Stainless Steel impeller SE10	1	24,000.00
11	20710512090	03018099	Stainless Steel impeller SE15	1	24,000.00
11	20710512095	03042015	Cast Iron impeller SE5.5	1	3,500.00
11	20710512100	03042016	Cast Iron impeller SE7.5	1	3,500.00
11	20710512105	03042017	Cast Iron impeller SE10	1	4,400.00
11	20710512110	03042045	Cast Iron impeller SE15	1	4,400.00
12	20710512115	04015020	Mechanical Seal(SE5.5:SE7.5)	1	1,400.00
12	20710512120	04015021	Mechanical Seal(SE10:SE15)	1	1,700.00
13	20710512125	02011164	O-ring for SE5.5:SE7.5 Flange	1	250.00
13	20710512130	02011165	O-ring for SE10:SE15 Flange	1	250.00
14	20710512135	03011140	screw for Flange	2	130.00
15	20710512140	03042018	Flange (SE5.5:SE7.5)	1	3,300.00
15	20710512145	03042007	Flange (SE10:SE15)	1	3,300.00
16	20710512150	02011166	Motor Slinger (SE5.5:SE7.5)	1	130.00
16	20710512155	02011167	Motor Slinger (SE10:SE15)	1	130.00
17	20710512160	89025606	M12 Bolt	4	400.00
18	20710512165	04021104	Motor SE5.5	1	-
18	20710512170	04021105	Motor SE7.5	1	-
18	20710512175	04021106	Motor SE10	1	-
18	20710512180	04021107	Motor SE15	1	-
19	20710512185	89025607	M12×35 Bolt	6	400.00
20	20710512190	03042043	5.5-7.5HP Base	1	7,000.00
20	20710512195	03042044	10-15HP Base	1	7,500.00

Parts of EPV Models: EPV100/ EPV150/ EPV200/ EPV300

[Back to Table of Content](#)



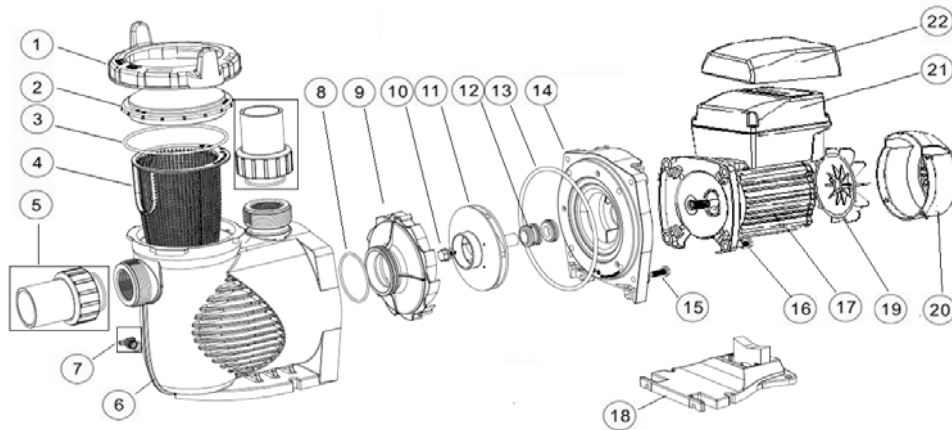
KEY NO.	POOLSPA CODES	PART NO.	DESCRIPTIONS	PIECE (S) REQUIRED	RETAIL PRICE 2022
1	20710510005	01020016	Nut for Lid	1	920.00
2	20710510010	01041049	Transparent Lid	1	920.00
3	20710510015	02010042	O-Ring for Lid	1	250.00
4	20710510020	01110024	Basket	1	500.00
5	20650510690	01013147	2.5" Nut for Connector	2	250.00
6	20710510025	01171160	2.0" Union Adaptor	2	250.00
6	20320511420	430300985	2.5" Union Adaptor	2	400.00
7	20650511065	111040024	O-ring D80.5*5.3 * Replac 02010043	2	70.00
8	20710510030	01112087	Pump Body	1	5,200.00
9	20650510180	89021307	Drain Plug With O-Ring	2	130.00
10	20710510035	02010213	O-Ring	1	130.00
11	20710510040	01110025	Diffuser	1	500.00
12	20710510045	89020719	Screw for Impeller with O-Ring	1	250.00
13	20710510050	01311057	Impeller for EPV100	1	920.00
13	20710510055	01311058	Impeller for EPV150 (50Hz)	1	920.00
13	20710510060	01311047	Impeller for EPV200 & SPH100 (50Hz)	1	920.00
13	20710510065	01400103	Impeller for EPV300 & SPH150(50Hz)	1	920.00
14	20710510070	04015065	3/4"Mechanical seal (EPH/EPV/SPH/SPV)	1	1,000.00
15	20710510075	02010212	O-Ring for Flange	1	250.00
16	20710510080	03011402	M3.5x35 Screw (#316)	2	70.00
17	20710510085	01020017	Flange	1	1,400.00
18	20710510090	89020720	M8 x 35 Screw with Washer for Motor	6	130.00
19	20710510095	03011075	M8 x 30 Screw	4	130.00
20	20710512200	89023702	Programmable Controller for EPV150 (without plug)	1	33,400.00
20	20710512205	E023728	Programmable Controller for EPV150-RS485 (without plug)	1	34,500.00
20	20710512210	E023725	Programmable Controller for EPV150-RS485 (Europe plug)	1	34,500.00
20	20710512215	E023727	Programmable Controller for EPV150-RS485-WiFi (without plug)	1	36,000.00
20	20710512220	E023726	Programmable Controller for EPV150-RS485-WiFi (Europe plug)	1	36,000.00
20	20710512225	89023703	Programmable Controller for EPV200 (without plug)	1	34,500.00
20	20710512230	E023729	Programmable Controller for EPV200-RS485 (without plug)	1	36,000.00
20	20710512235	E023724	Programmable Controller for EPV200-RS485 (Europe plug)	1	36,000.00
20	20710512240	E023730	Programmable Controller for EPV200-RS485-WiFi (without plug)	1	37,000.00
20	20710512245	E023723	Programmable Controller for EPV200-RS485-WiFi (Europe plug)	1	37,000.00
20	20710512250	89023704	Programmable Controller for EPV300 (without plug)	1	36,000.00
20	20710512255	E023732	Programmable Controller for EPV300-RS485 (without plug)	1	37,000.00
20	20710512260	E023722	Programmable Controller for EPV300-RS485 (Europe plug)	1	37,000.00
20	20710512265	E023731	Programmable Controller for EPV300-RS485-WiFi (without plug)	1	39,000.00
20	20710512270	E023721	Programmable Controller for EPV300-RS485-WiFi (Europe plug)	1	39,000.00
21	20710510120	01321024	Fan Cover	1	600.00
22	20710510130	04020113	EPV150 TYC-80M Motor	1	-
22	20710510135	04020114	EPV200 TYC-80L Motor	1	-
22	20710510140	04020115	EPV300 TYC-80XL Motor	1	-
23	20710510145	01110026	Base for EPH200:EPH300:EPH400	1	250.00
23	20710510150	02010211	Arch Cushion for Base	1	250.00



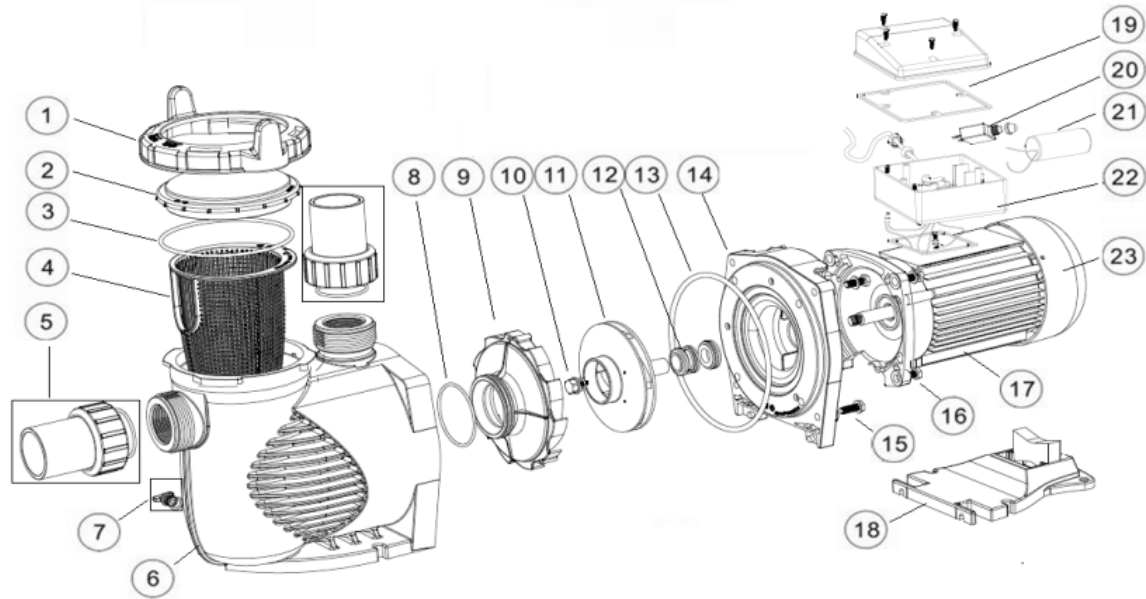
KEY NO.	POOLSPA CODES	PART NO.	DESCRIPTIONS	PIECE (S) REQUIRED	RETAIL PRICE 2022
1	20710510005	01020016	Nut for lid	1	920.00
2	20710510010	01041049	Transparent Lid	1	920.00
3	20710510015	02010042	O-Ring for Lid	1	250.00
4	20710510020	01110024	Basket	1	500.00
5	20650510690	01013147	2.5" Nut for Connector	2	250.00
6	20710510025	01171160	2.0" Union Adaptor	2	250.00
6	20320511420	430300985	2.5" Union Adaptor	2	400.00
7	20650510680	111040024	O-ring D80.5*5.3 * Replac 02010043	2	70.00
8	20710510030	01112087	Pump Body	1	5,200.00
9	20650510180	89021307	Drain Plug with O-ring	2	130.00
10	20710510035	02010213	O-Ring	1	130.00
11	20710510040	01110025	Diffuser	1	600.00
12	20710510045	89020719	Screw for impeller with O-Ring	1	250.00
13	20710510200	01400100	Impeller for EPH200 (220V/50HZ) & (380V/50HZ) & SPH200 (50HZ)	1	1,000.00
13	20710510205	01400101	Impeller for EPH300 (220V/50HZ) & (380V/50HZ) & SPH300 (50HZ)	1	1,200.00
13	20710510210	01400102	Impeller for EPH400 (220V/50HZ) & (380V/50HZ)	1	1,300.00
14	20710510070	E020001	3/4"Mechanical seal (EPH/EPV/SPH/SPV)	1	1,000.00
15	20710510075	02010212	O-Ring for Flange	1	250.00
16	20710510080	03011402	M3.5x35 Screw (#316)	2	70.00
17	20710510085	01020017	Flange	1	1,400.00
18	20710510090	89020720	M8 x 35 Screw with Washer for Motor	6	130.00
19	20710510145	01110026	Base	1	250.00
19	20710510150	02010211	Arch Cushion for Base	1	250.00
20	20710510215	04020102	Motor for EPH200 (220V/50HZ)	1	-
20	20710510220	04020103	Motor for EPH300 (220V/50HZ)	1	-
20	20710510225	04020104	Motor for EPH400 (220V/50HZ)	1	-
20	20710510230	04020105	Motor for EPH200 (380V/50HZ)	1	-
20	20710510235	04020106	Motor for EPH300 (380V/50HZ)	1	-
20	20710510240	04020107	Motor for EPH400 (380V/50HZ)	1	-
21	20710510245	02011075	Arch Cushion for Cable Box	1	250.00
22	20710510250	04016015	Capacitor for SB/SR20 & SC/EPH200 & SPH200 Pump	1	1,800.00
22	20710510255	04016016	Capacitor for SB/SR30 EPH300,EPH400 & SPH300 Pump	1	2,000.00
23	20710510260	89021505	Cable Box	1	1,200.00
24	20710510265	02011109	Arch Cushion for Cable Box	1	130.00
25	20710510270	01031001	Fan Cover	1	700.00
26	20710510275	01031006	Cooling Fan	1	130.00

Parts of SPV Models: SPV150

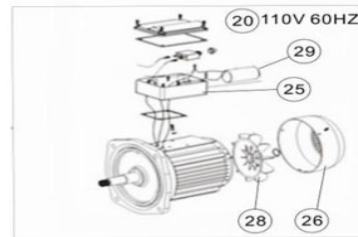
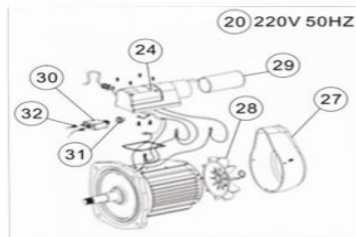
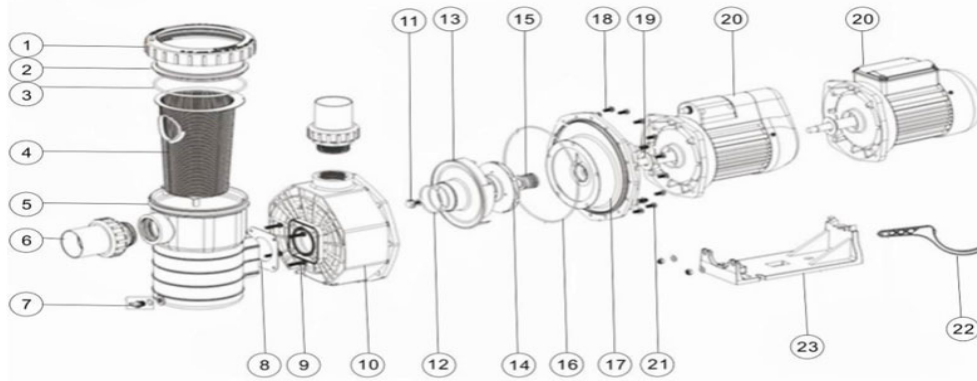
[Back to Table of Content](#)



KEY NO.	POOLSPA CODES	PART NO.	DESCRIPTIONS	PIECE (S) REQUIRED	RETAIL PRICE 2022
1	20710510280	01021143	Nut For Lid	1	400.00
2	20710510285	01041057	Transparent Lid	1	400.00
3	20710510290	02010253	O-Ring For Lid	1	130.00
4	20710510295	01112080	Basket	1	250.00
5	20710510300	89023801	1.5" Union	2	500.00
6	20710510305	01021144	Pump body	1	5,060.00
7	20650510180	89021307	Drain Plug With O-ring	2	130.00
8	20710510310	02010245	O-Ring for Diffuser	1	130.00
9	20710510315	01112081	Diffuser	1	400.00
10	20710510045	89020719	Screw for Impeller with O-ring	1	130.00
11	20710510055	01311058	Impeller For SPV150 & EPV150	1	920.00
12	20710510070	E020001	3/4"Mechanical seal (EPH/EPV/SPH/SPV)	1	1,000.00
13	20710510320	02010246	O-Ring for Flange	1	250.00
14	20710510325	01021145	Flange	1	1,300.00
15	20710510090	89020720	M8*35 Screw with Washer For Motor	4	130.00
16	20710510095	112192685	M8*30 Screw	4	130.00
17	20710510330	04020140	SPV150 TYC-71L Motor	1	-
18	20710510335	01112082	Base	1	500.00
18	20710510150	02010211	Arch Cushion for Base	1	250.00
19	20710510340	01031027	Fan	1	130.00
20	20710510345	01321032	Fan Cover	1	250.00
21	20710510350	89023901	Programmable Controller for SPV150 (without plug)	1	21,000.00
21	20710512335	E023803	Programmable Controller for SPV150-RS485 (without plug)	1	22,000.00
21	20710512340	E023804	Programmable Controller for SPV150-RS485-WiFi (without plug)	1	25,000.00
22	20710510355	01041061	Transparent Lid for Programmable Controller	1	130.00



KEY NO.	POOLSPA CODES	PART NO.	DESCRIPTIONS	PIECE (S) REQUIRED	RETAIL PRICE 2022
1	20710510280	01021143	Nut For Lid	1	400.00
2	20710510285	01041057	Transparent Lid	1	400.00
3	20710510290	02010253	O-Ring for Lid	1	130.00
4	20710510295	01112080	Basket	1	250.00
5	20710510300	89023801	1.5"Union	2	500.00
6	20710510305	01021144	Pump body	1	5,060.00
7	20650510180	89021307	Drain Plug With O-ring	2	130.00
8	20710510310	02010245	O-Ring For Diffuser	1	130.00
9	20710510315	01112081	Diffuser	1	400.00
10	20710510045	89020719	Screw for impeller with O-ring	1	250.00
11	20710510050	01311057	Impeller For SPH075 (50Hz)	1	920.00
11	20710510060	01311047	Impeller For SPH100 (50Hz)	1	920.00
11	20710510065	01400103	Impeller For SPH150 (50Hz)	1	920.00
11	20710510200	01400100	Impeller For SPH200 (50Hz)	1	920.00
11	20710510205	01400101	Impeller For SPH300 (50Hz)	1	1,200.00
12	20710510070	E020001	3/4"Mechanical seal (EPH/EPV/SPH/SPV)	1	1,000.00
13	20710510320	02010246	O-Ring for Flange	1	250.00
14	20710510325	01021145	Flange	1	1,300.00
15	20710510090	89020720	M8*35 Screw with Washer For Motor	4	130.00
16	20710510095	03011075	M8*30 Screw	4	130.00
17	20710510395	04020116	Motor YYD-8022E For SPH075	1	-
17	20710510400	04020117	Motor YYD-8032E For SPH100	1	-
17	20710510405	04020118	Motor YYD-8042E For SPH150	1	-
17	20710510410	04020119	Motor YYD-8052E For SPH200	1	-
17	20710510415	04020120	Motor YYD-8062E For SPH300	1	-
18	20710510335	01112082	Base	1	500.00
18	20710510150	02010211	Arch Cushion for Base	1	250.00
19	20710510420	02011073	Arch Cushion for Cable Box	1	130.00
20	20710510425	04015015	Overload Switch PE77-8A/250VAC for SPH150	1	250.00
20	20710510430	04015012	Overload Switch PE77-10A/250VAC for SPH200	1	250.00
20	20710510435	04016037	Overload Switch PE77-13A/250VAC for SPH300	1	250.00
21	20710510440	04016012	Capacitor for SS/SD/SQ/SP/ST100-120 & SC075 & SPH075Pump	1	1,300.00
21	20710510445	04016014	Capacitor for SB/SR10,SB15 & SC100-150 & SPH100-150 Pump	1	1,600.00
21	20710510250	04016015	Capacitor for SB/SR20 & SC/EPH200 & SPH200 Pump	1	1,800.00
21	20710510255	04016016	Capacitor for SB/SR30 EPH300,EPH400 & SPH300 Pump	1	2,000.00
22	20710510450	89022112	Cable Box	1	920.00
23	20710510455	01321031	Fan Cover	1	400.00



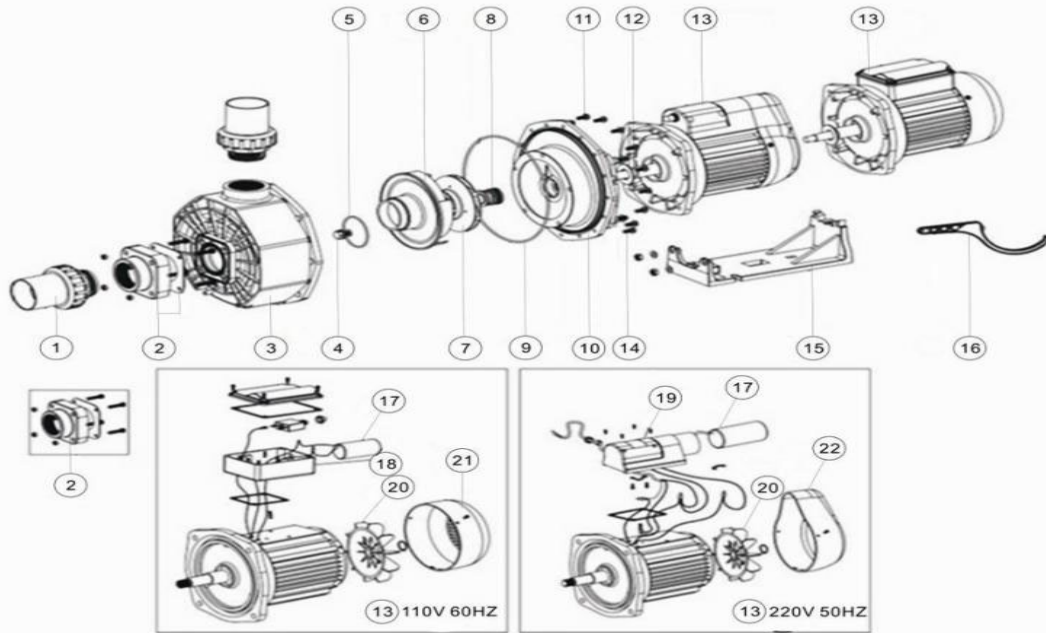
KEY NO.	POOLSPA CODES	PART NO.	DESCRIPTIONS	PIECE (S) REQUIRED	RETAIL PRICE 2022
1	20710510460	01021008	Nut for Lid	1	700.00
2	20710510465	01041022	Transparent Lid	1	600.00
3	20710510470	02010248	O-Ring for Lid	1	250.00
4	20710510475	01111030	Basket	1	600.00
5	20710510480	89021305	Pre-Filter Body	1	3,000.00
6*		89280103	2.0" Union (Black/ White Colour)	2	Refer to Price List
7	20650510180	89021307	Drain Plug with O-ring	1	130.00
8	20710510485	02011115	Square Gasket	1	130.00
9	20710510490	03011083	M6 x 30 Screw for Pump Body	4	130.00
10	20710510495	89021308	Pump body for SB,SR	1	5,800.00
11	20710510500	89021309	Screw for Impeller with O-Ring	1	130.00
12	20710510505	02011108	O-Ring for Diffuser	1	130.00
13	20710510510	01111015	Diffuser	1	600.00
14	20710510515	01311001	Impeller SB10 (110V/60HZ) and (220V/60HZ)	1	1,000.00
14	20710510520	01311002	Impeller SB20 (110V/60HZ) and (220V/60HZ)	1	1,000.00
14	20710510525	01311003	Impeller SB/ SR20 (220V/50HZ) and (380V/50HZ)	1	1,000.00
14	20710510530	01311004	Impeller SB/ SR10 (220V/50HZ) and (380V/50HZ)/ SB15 (110V/60HZ) and (220V/60HZ)	1	1,000.00
14	20710510535	01311005	Impeller SB/ SR15 (220V/50HZ) and (380V/50HZ)/ SB30 (110V/60HZ) and (220V/60HZ)	1	1,000.00
14	20710510540	01311006	Impeller SB30 (220V/50HZ) and (380V/50HZ)	1	1,000.00
15	20710510070	04015046	3/4" Mechanical seal	1	1,000.00
16	20710510545	02011093	O-Ring for Flange	1	250.00
17	20710510550	01021013	Pump Flange for SB/ SR	1	1,800.00
18	20710510555	03011080	M6x15 Hexagonal Bolt	16	130.00
19	20710510560	02011096	Motor Slinger	1	130.00
20	20710510565	89021301	Motor SB/ SR10 (220V/50HZ)	1	-
20	20710510570	89021302	Motor SB/ SR15 (220V/50HZ)	1	-
20	20710510575	89021303A	Motor SB/ SR20 (220V/50HZ)	1	-
20	20710510580	89021304	Motor SB/ SR30 (220V/50HZ)	1	-
20	20710510585	89021401	Motor SB/ SR10 (220V/60HZ)	1	-
20	20710510590	89021402	Motor SB/ SR15 (220V/60HZ)	1	-
20	20710510595	89021403	Motor SB/ SR20 (220V/60HZ)	1	-
20	20710510600	89021404	Motor SB/ SR30 (220V/60HZ)	1	-
20	20710510605	89021601	Motor SB/ SR10 (380V/50HZ)	1	-
20	20710510610	89021602	Motor SB/ SR15 (380V/50HZ)	1	-
20	20710510615	89021603	Motor SB/ SR20 (380V/50HZ)	1	-
20	20710510620	89021604	Motor SB/ SR30 (380V/50HZ)	1	-
20	20710510625	89021501	Motor SB/ SR10 (110V/60HZ)	1	-
20	20710510630	89021502	Motor SB/ SR15 (110V/60HZ)	1	-

20	20710510635	89021503	Motor SB/ SR20 (110V/60HZ)	1	-
20	20710510640	89021504	Motor SB/ SR30 (110V/60HZ)	1	-
21	20710510645	89021310	M8*20 Bolt for motor with washer	4	130.00
22	20710510650	01021021	Opening key	1	250.00
23	20710510655	01111032	Base with Nut & Washer for SB10/ SB15	1	700.00
23	20710510660	01111031	Base with Nut & Washer for SB20/ SB30	1	700.00
24	20710510665	89021312	Cable Box for SB/ SR Pump 220V/50HZ; 220V/60HZ; 380V/50HZ.	1	700.00
25	20710510260	89021505	Cable Box for SB/ SR Pump 110V/60HZ	1	1,200.00
26	20710510270	01031001	Fan Cover for EPH SB/SR20 SB/SR30	1	700.00
26	20710510670	01031002	Fan Cover for SB/SR10,SB/SR15 Pump	1	600.00
27	20710510675	01031008	Fan Cover for SB/SR20,SB/SR30 Pump	1	700.00
27	20710510680	01031009	Fan Cover for SB/SR10,SB/SR15 Pump	1	600.00
28	20710510685	01031007	Cooling fan for SC SB/SR10,SB/SR15	1	130.00
28	20710510275	01031006	Cooling fan for EPH SB/SR20,SB/SR30	1	130.00
29	20710510445	04016014	Capacitor for SB/ SR10/ SB/ SR15 (220V/50HZ) (220V/60HZ)	1	1,600.00
29	20710510250	04016015	Capacitor for SB/ SR20 (220V/50HZ) (220V/60HZ)	1	1,800.00
29	20710510255	04016016	Capacitor for SB/ SR30 (220V/50HZ) (220V/60HZ)	1	2,000.00
29	20710510690	04016022	Capacitor for SB/ SR10/ SB15 (110V/60HZ)	1	2,900.00
29	20710510695	04016023	Capacitor for SB/ SR20/ SB30 (110V/60HZ)	1	3,100.00
30	20710510700	04015042	Overload Switch PE77-6A/250VAC for SB/ SR10	1	250.00
30	20710510425	04015015	Overload Switch PE77-8A/250VAC for SB/ SR15	1	250.00
30	20710510430	04015012	Overload Switch PE77-10A/250VAC for SB/ SR20	1	250.00
30	20710510435	04016037	Overload Switch PE77-13A/250VAC for SB/ SR30	1	250.00
31	20710510705	02021039	Cover for Overload Switch	1	130.00
32	20710510710	04014018	Insulation Fitting for Overload Switch	1	130.00

Note: 6* 89280103B is 2.0 Union in Black Colour
6* 89280103W is 2.0 Union in White Colour

Parts of SR Models: SR10/ SR15/ SR20/ SR30

Table of Content

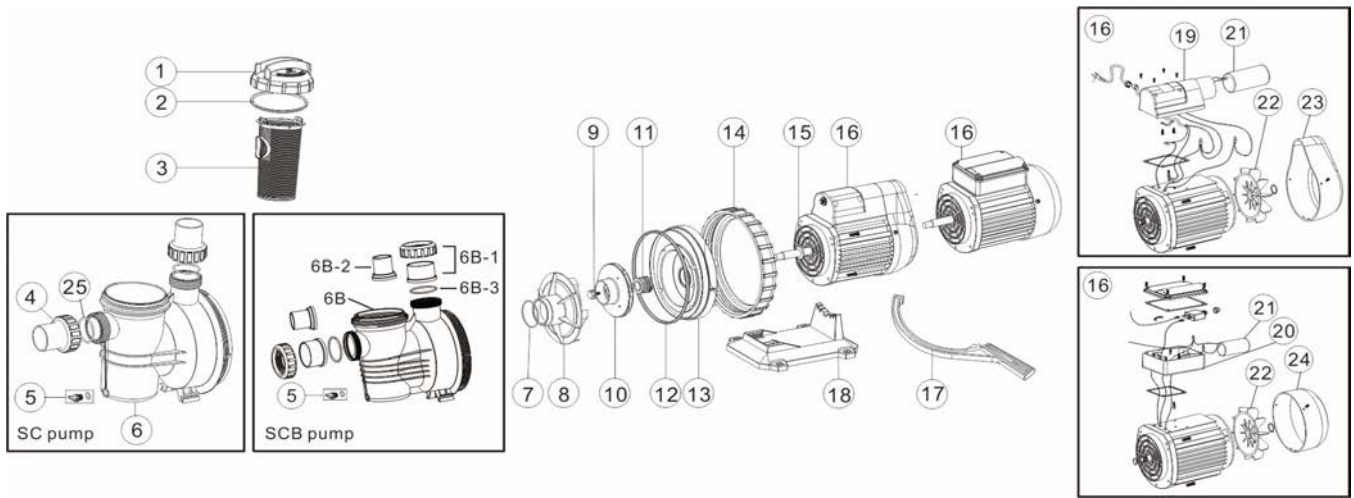


KEY NO.	POOLSPA CODES	PART NO.	DESCRIPTIONS	PIECE (S) REQUIRED	RETAIL PRICE 2022
1*		89280103B	2.0" Union (Black/ White Colour)	2	Refer to Price List
2	20710510715	89023601	Connecting Fitting	1	1,000.00
3	20710510495	89021308	Pump body for SB,SR	1	5,200.00
4	20710510500	89021309	Screw for Impeller with O-Ring	1	130.00
5	20710510505	02011108	O-Ring for Diffuser	1	130.00
6	20710510510	01111015	Diffuser	1	600.00
7	20710510515	01311001	Impeller SR10 (110V/60HZ)/ (220V/60HZ)	1	1,000.00
7	20710510520	01311002	Impeller SR20 (110V/60HZ)/ (220V/60HZ)	1	1,000.00
7	20710510525	01311003	Impeller SR20 (220V/50HZ)/ (380V/50HZ)	1	1,000.00
7	20710510530	01311004	Impeller SR10 (220V/50HZ) and (380V/50HZ)/ SR15 (110V/60HZ) and (220V/60HZ)	1	1,000.00
7	20710510535	01311005	Impeller SR15 (220V/50HZ) and (380V/50HZ)/ SR30 (110V/60HZ) and (220V/60HZ)	1	1,000.00
7	20710510540	01311006	Impeller SR30 (220V/50HZ) and (380V/50HZ)	1	1,000.00
8	20710510070	04015046	3/4" Mechanical Seal	1	1,000.00
9	20710510545	02011093	O-Ring for Flange	1	250.00
10	20710510550	01021013	Pump Flange for SB,SR	1	1,800.00
11	20710510555	03011080	M6 x15 Hexagonal Bolt	16	130.00
12	20710510720	02011099	Motor Slinger for SR10/ SR15	1	130.00
12	20710510725	02011101	Motor Slinger for SR20/ SR30	1	130.00
13	20710510565	89021301	Motor SB10 or SR10 (220V/50HZ)	1	-
13	20710510570	89021302	Motor SB15 or SR15 (220V/50HZ)	1	-
13	20710510575	89021303A	Motor SB20 or SR20 (220V/50HZ)	1	-
13	20710510580	89021304	Motor SB30 or SR30 (220V/50HZ)	1	-
13	20710510585	89021401	Motor SB10 or SR10 (220V/60HZ)	1	-
13	20710510590	89021402	Motor SB15 or SR15 (220V/60HZ)	1	-
13	20710510595	89021403	Motor SB20 or SR20 (220V/60HZ)	1	-
13	20710510600	89021404	Motor SB30 or SR30 (220V/60HZ)	1	-
13	20710510605	89021601	Motor SB10 or SR10 (380V/50HZ)	1	-
13	20710510610	89021602	Motor SB15 or SR15 (380V/50HZ)	1	-
13	20710510615	89021603	Motor SB20 or SR20 (380V/50HZ)	1	-
13	20710510620	89021604	Motor SB30 or SR30 (380V/50HZ)	1	-
13	20710510625	89021501	Motor SB10 or SR10 (110V/60HZ)	1	-
13	20710510630	89021502	Motor SB15 or SR15 (110V/60HZ)	1	-
13	20710510635	89021503	Motor SB20 or SR20 (110V/60HZ)	1	-
13	20710510640	89021504	Motor SB30 or SR30 (110V/60HZ)	1	-
14	20710510645	89021310	M8*20 Bolt for motor with washer	4	130.00
15	20710510655	01111032	Base with Nut & Washer for SB/SR10 / SB/SR15	1	700.00
15	20710510660	01111031	Base with Nut & Washer for SB/SR20 / SB/SR30	1	700.00

16	20710510650	01021021	Opening Key	1	250.00
17	20710510445	04016014	Capacitor for SB/SR10,SB15	1	1,500.00
17	20710510250	04016015	Capacitor for SB/SR20 & SC/EPH200 & SPH200 Pump	1	1,800.00
17	20710510255	04016016	Capacitor for SB/SR30 EPH300,EPH400 & SPH300 Pump	1	2,000.00
17	20710510690	04016022	Capacitor for SR/SB10-15 & SC100-150 Pump 110V	1	3,000.00
17	20710510695	04016023	Capacitor for SR/SB20-30 & SC200 Pump 110V	1	3,000.00
18	20710510260	89021505	Cable Box	1	1,200.00
19	20710510665	89021312	Cable Box for SR Pump 220V/50HZ / 220V/60HZ / 380V/50HZ.	1	800.00
20	20710510685	01031007	Cooling fan for SC SB/SR10 / SB/SR15	1	130.00
20	20710510275	01031006	Cooling fan for EPH SB/SR20 / SB/SR30	1	130.00
21	20710510270	01031001	Fan Cover for EPH SB/SR20 / SB/SR30	1	700.00
21	20710510670	01031002	Fan Cover for SB/SR10 / SB/SR15 Pump	1	600.00
22	20710510675	01031008	Fan Cover for SB/SR20 / SB/SR30 Pump	1	700.00
22	20710510680	01031009	Fan Cover for SB/SR10 / SB/SR15 Pump	1	600.00

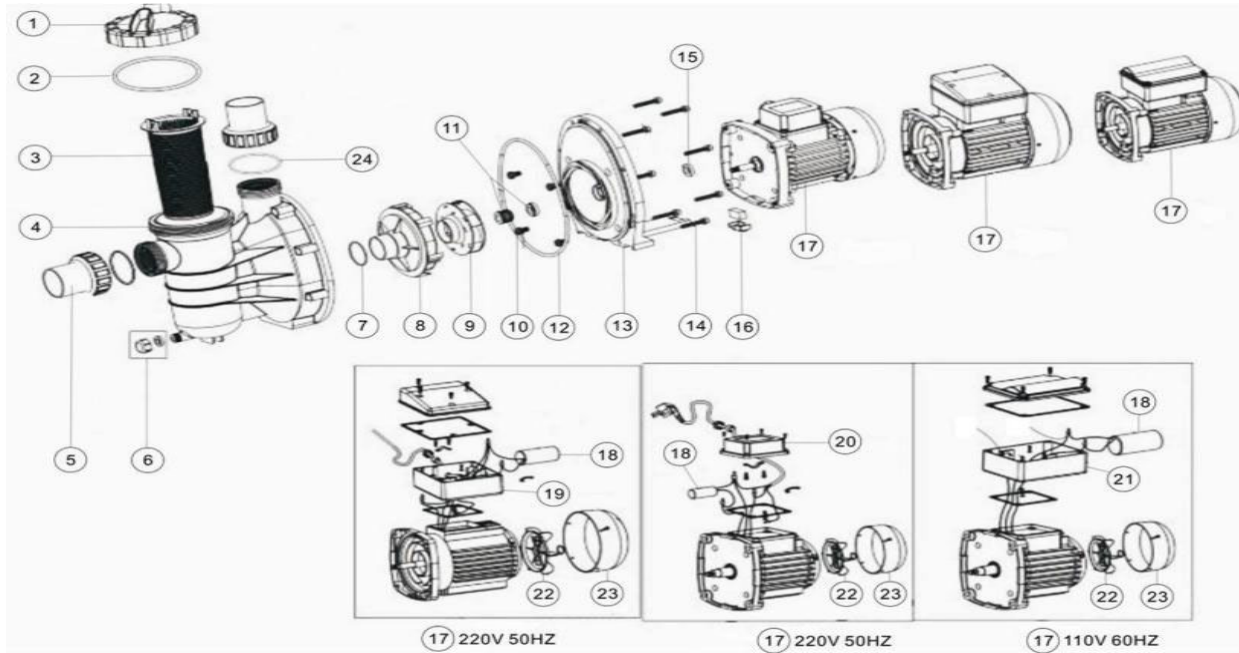
Notes: 1* 89280103B is 2" Union in Black Colour

1* 89280103W is 2" Union in White Colour



KEY NO.	POOLSPA CODES	PART NO.	DESCRIPTIONS	PIECE (S) REQUIRED	RETAIL PRICE 2022
1	20710510730	01041043	Transparent Lid	1	600.00
2	20710510735	02021088	O-Ring for Lid	1	250.00
3	20710510740	01111076	Basket (Big)	1	250.00
4*		89280105	1.5" Union (Black/ White Colour)	2	Refer to Price List
5	20650510180	89021307	Drain Plug With O-Ring	1	130.00
6	20710510745	01111006	SC Pump Body	1	5,200.00
6B	20710512275	01111004	SCB Pump Body	1	5,200.00
6B-1	20710512280	E190137	2" Union	2	920.00
6B-2	20920510160	01171155	1.5" Union Adaptor	2	250.00
6B-3	20320510200	02020016	O-Ring for 2" Union	2	-
7	20710510750	02011105	O-ring for Diffuser	1	130.00
8	20710510755	01111009	Diffuser	1	250.00
9	20710510760	89021704	Impeller Screw with O-ring	1	130.00
10	20710510765	01311007	Impeller SC050(110V/60HZ) & (220V/60HZ)	1	920.00
10	20710510770	01311008	Impeller SC075(110V/60HZ) & (220V/60HZ)	1	920.00
10	20710510775	01311009	Impeller SC050(220V/50HZ) & (380V/50HZ)/ SC100(110V/60HZ) & (220V/60HZ)	1	920.00
10	20710510780	01311010	Impeller SC075(220V/50HZ) & (380V/50HZ)/ SC150(110V/60HZ) & (220V/60HZ)	1	920.00
10	20710510785	01311011	Impeller SC100(220V/50HZ) & (380V/50HZ)/ SC200(110V/60HZ) & (220V/60HZ)	1	920.00
10	20710510790	01311012	Impeller SC150(220V/50HZ) & (380V/50HZ)	1	920.00
10	20710510795	01311013	Impeller SC200(220V/50HZ) & (380V/50HZ)	1	920.00
11	20710510070	E020001	3/4" Mechanical Seal	1	1,000.00
12	20710510800	02011089	O-Ring for Flange	1	250.00
13	20710510805	01111008	SC Pump Flange	1	1,000.00
14	20710510810	01021014	Ring Lock Nut	1	1,000.00
15	20710510560	02011096	Motor Slinger	1	130.00
16	20710510815	89021705	Motor SC050(220V/50HZ)	1	-
16	20710510820	89021706	Motor SC075(220V/50HZ)	1	-
16	20710510825	89021707	Motor SC100(220V/50HZ)	1	-
16	20710510830	89021708	Motor SC150(220V/50HZ)	1	-
16	20710510835	89021709	Motor SC200(220V/50HZ)	1	-
16	20710510840	89021801	Motor SC050(220V/60HZ)	1	-
16	20710510845	89021802	Motor SC075(220V/60HZ)	1	-
16	20710510850	89021803	Motor SC100(220V/60HZ)	1	-
16	20710510855	89021804	Motor SC150(220V/60HZ)	1	-
16	20710510860	89021805	Motor SC200(220V/60HZ)	1	-
16	20710510865	89022001	Motor SC050(380V/50HZ)	1	-
16	20710510870	89022002	Motor SC075(380V/50HZ)	1	-
16	20710510875	89022003	Motor SC100(380V/50HZ)	1	-
16	20710510880	89022004	Motor SC150(380V/50HZ)	1	-
16	20710510885	89022005	Motor SC200(380V/50HZ)	1	-
16	20710510860	89021901	Motor SC050(110V/60HZ)	1	-
16	20710510865	89021902	Motor SC075(110V/60HZ)	1	-

16	20710510870	89021903	Motor SC100(110V/60HZ)	1	-
16	20710510875	89021904	Motor SC150(110V/60HZ)	1	-
16	20710510880	89021905	Motor SC200(110V/60HZ)	1	-
17	20710510885	01021022	Opening Key	1	250.00
18	20710510890	01111007	Base	1	600.00
19	20710510895	89021311	Cable Box for SC Pump	1	800.00
20	20710510260	89021505	Cable Box	1	1,200.00
21	20710510900	04016019	Capacitor for SC050 & SS/SD/SQ/ST075 Pump (110V)	1	2,200.00
21	20710510905	04016021	Capacitor for SC075 & SS/SD/SQ/ST100-124 Pump (110V)	1	2,900.00
21	20710510690	04016022	Capacitor for SR/SB10-15 & SC100-150 Pump (110V)	1	2,900.00
21	20710510695	04016023	Capacitor for SR/SB20-30 & SC200 Pump (110V)	1	3,100.00
21	20710510910	04016010	Capacitor for SS/SD/SQ/SP/ST075 & SC050 Pump	1	1,000.00
21	20710510440	04016012	Capacitor for SS/SD/SQ/SP/ST100-120/ SC075	1	1,300.00
21	20710510445	04016014	Capacitor for SB/SR10,SB15/ SC100/ SC150	1	1,600.00
21	20710510250	04016015	Capacitor for SB/SR20 & SC/EPH200 & SPH200 Pump	1	1,800.00
22	20710510685	01031007	Cooling Fan for SC SB/SR10,SB/SR15	1	130.00
23	20710510680	01031009	Fan Cover for SB/SR10,SB/SR15 Pump	1	600.00
24	20710510670	01031002	Fan Cover for SB/SR10,SB/SR15 Pump	1	600.00
25	20320510970	02011104	O-Ring for 1.5" Union	2	130.00

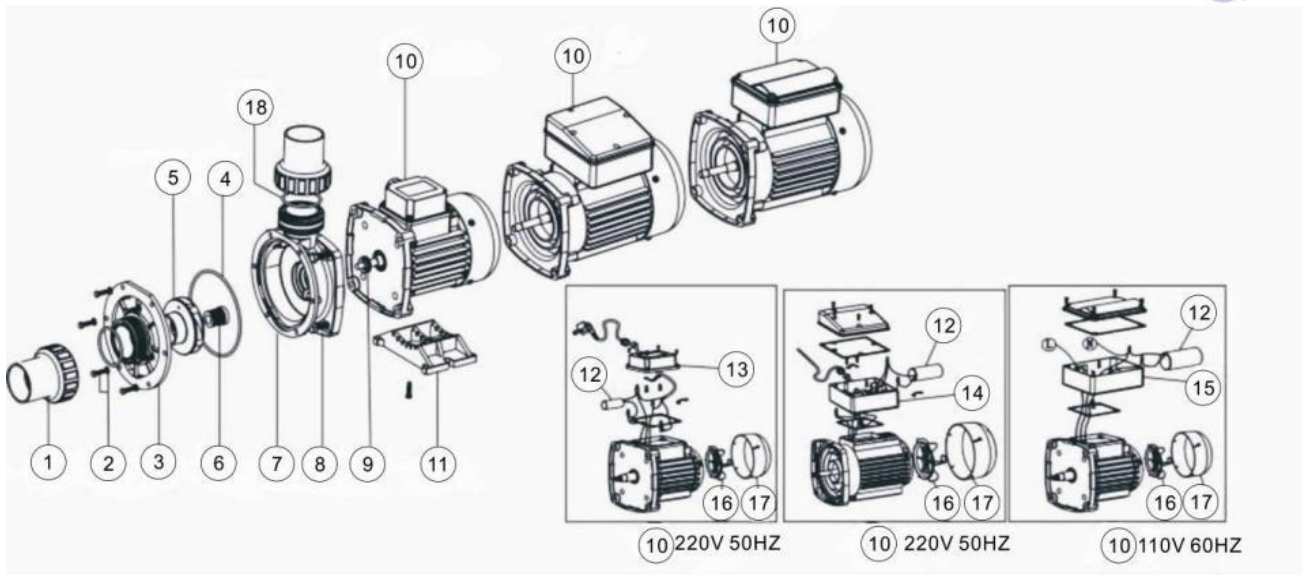


KEY NO.	POOLSPA CODES	PART NO.	DESCRIPTIONS	PIECE (S) REQUIRED	RETAIL PRICE 2022
1	20710510915	01201031	Transparent Lid	1	700.00
2	20710510920	02010247	O-Ring for Lid	1	130.00
3	20710510925	420230876	Basket for SS Pump	1	700.00
4	20710510930	E020304	SS Pump Pre-Filter	1	4,500.00
5*		89280105	1.5" Union (Black/ White Colour)	2	Refer to Price List
6	20710510935	89022402	Drain Plug With O'Ring	1	130.00
7	20710510940	02011004	O-Ring for Diffuser	1	130.00
8	20710510945	01111014	Diffuser	1	250.00
9	20710510950	01311014	Impeller SS120(220V/50HZ)	1	700.00
9	20710510955	01311015	Impeller SD020/SD50/SQ020/SQ050/SS20/SS50/ST20/ST50	1	700.00
9	20710510960	01311016	Impeller SD33/SD75/SQ33/SQ75/SS33/SS75/ST33/ST75	1	700.00
9	20710510965	01311017	Impeller SD050/SD100/SQ050/SQ100/SS050/SS100/ST050	1	700.00
9	20710510970	01311018	Impeller SD075/SD120/SQ075/SQ120/SS075/SS120/ST075	1	700.00
9	20710510975	01311019	Impeller SD100/SQ100/SS100/ST100(220V/50HZ)	1	700.00
9	20710510980	01311023	Impeller SD020/SQ020/SS020/ST020(220V,110V/60HZ)	1	700.00
9	20710510985	01311024	Impeller SD033/SQ033/SS033/ST033(220V,110V/60HZ)	1	700.00
10	20710510990	89022403	M8 x 16 Screw with Washer	4	130.00
11	20710510995	E020302	1/2" Mechanical Seal	1	800.00
12	20710511000	02011090	O-Ring for Flange	1	250.00
13	20710511005	01021065	SS Pump Flange	1	1,300.00
14	20710511010	03011035	M6 x 30 Screw	8	130.00
15	20710511015	02011156	Motor Slinger	1	250.00
16	20710511020	89022404	Motor Support	1	130.00
17	20710511025	89022109	Motor SD020/SQ020/SS020/ST020(220V/50HZ)	1	-
17	20710511030	89022110	Motor SD033 (220V/50Hz)	1	-
17	20710511035	89022105	Motor SD050/SQ050/SS050/ST050(220V/50HZ)	1	-
17	20710511040	89022106	Motor SD075/SQ075/SS075/ST075(220V/50HZ)	1	-
17	20710511045	89022107	Motor SD100/SQ100/SS100/ST100(220V/50HZ)	1	-
17	20710511050	89022108	Motor SD120/SQ120/SS120/ST120(220V/50HZ)	1	-
17	20710511055	89022201	Motor SD/SQ/SS/ST020(220V/60HZ)	1	-
17	20710511060	89022202	Motor SD/SQ/SS/ST033(220V/60HZ)	1	-
17	20710511065	89022203	Motor SD/SQ/SS/ST050(220V/60HZ)	1	-
17	20710511070	89022204	Motor SD/SQ/SS/ST075(220V/60HZ)	1	-
17	20710511075	89022205	Motor SD/SQ/SS/ST100(220V/60HZ)	1	-
17	20710511080	89022206	Motor SD/SQ/SS/ST120(220V/60HZ)	1	-
17	20710511085	89022305	Motor SD/SQ/SS/ST020(110V/60HZ)	1	-
17	20710511090	89022306	Motor SD/SQ/SS/ST033(110V/60HZ)	1	-

17	20710511095	89022301	Motor SD/SQ/SS/ST050(110V/60HZ)	1	-
17	20710511100	89022302	Motor SD/SQ/SS/ST075(110V/60HZ)	1	-
17	20710511105	89022303	Motor SD/SQ/SS/ST100(110V/60HZ)	1	-
17	20710511110	89022304	Motor SD/SQ/SS/ST120(110V/60HZ)	1	-
18	20710511115	04016028	Capacitor for SS/SD/SQ/ST050 Pump 110V	1	1,800.00
18	20710510900	04016019	Capacitor for SC050 & SS/SD/SQ/ST075 Pump 110V	1	2,200.00
18	20710510905	04016021	Capacitor for SC075 & SS/SD/SQ/ST100-124 Pump 110V	1	2,900.00
18	20710511120	04016009	Capacitor for SS/SD/SQ/SP/ST050 Pump	1	700.00
18	20710510910	04016010	Capacitor for SS/SD/SQ/SP/ST075 & SC050 Pump	1	1,000.00
18	20710510440	04016012	Capacitor for SS/SD/SQ/SP/ST100-120	1	1,300.00
18	20710511125	04016032	Capacitor for SS/SD/SQ/ST020 Pump 110V	1	1,200.00
18	20710511130	04016033	Capacitor for SS/SD/SQ/ST033 Pump 110V	1	1,400.00
18	20710511135	04016030	Capacitor for SS/SD/SQ/ST020 AMU020P/TP(50/60Hz)	1	400.00
18	20710511140	04016031	Capacitor for SS/SD/SQ/ST033 Pump	1	400.00
19	20710510450	89022112	Cable Box for SD,SQ,SP,ST050-120 Pump	1	920.00
20	20710511145	89022111	Cable Box for SQ/ST/SD020-033, SS020-SS030 Pump	1	800.00
21	20710510260	89021505	Cable Box for SA/ ST/ SD 110V	1	1,200.00
22	20710510340	01031027	Cooling Fan for SS/SD/SQ/ST050-SS/SD/SQ/ST120 Pump	1	130.00
22	20710511150	01031026	Cooling Fan for SS/SD/SQ/ST020-SS/SD/SQ/ST030 Pump	1	130.00
23	20710511155	01031011	Fan Cover for SS/SD/SQ/ST020-SS/SD/SQ/ST030 Pump	1	400.00
23	20710511160	01031010	Fan Cover for SQ/SP/SS/SD/ST050-SQ/SP/SS/SD/ST120	1	400.00
24	20320510970	02011104	O-Ring for 1.5" Union	2	130.00

Notes: 5* 89280105B is 1.5" Union in Black Colour

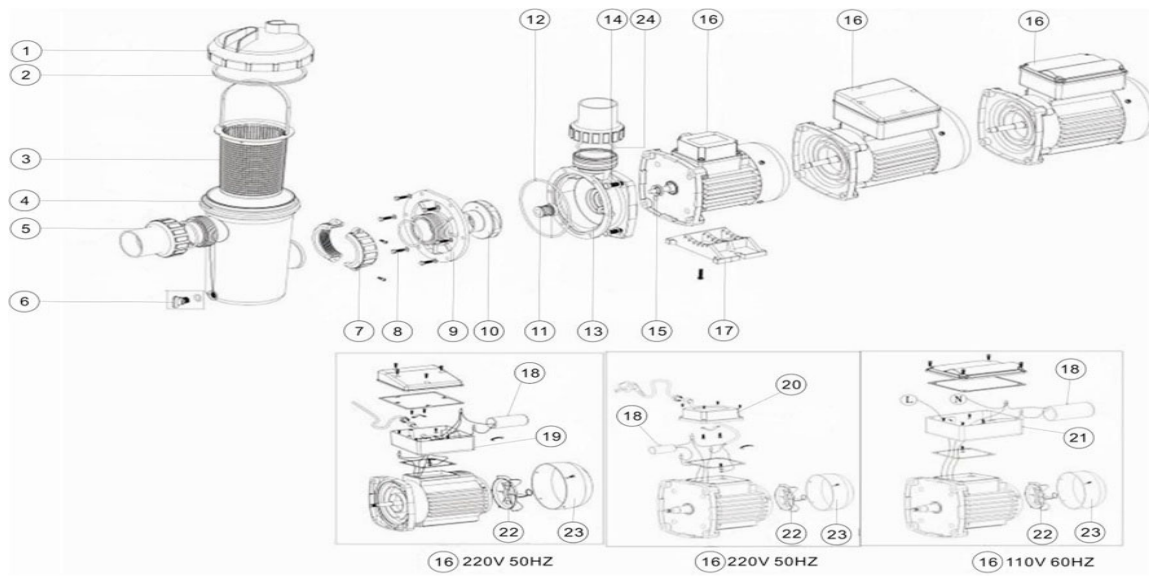
5* 89280105W is 1.5" Union in White Colour



KEY NO.	POOLSPA CODES	PART NO.	DESCRIPTIONS	PIECE (S) REQUIRED	RETAIL PRICE 2022
1*		89280105	1.5"union (Black/ White Colour)	2	Refer to Price List
2	20710512345	89022103	M5*16 Screw for pump front with Washer	6	130.00
3	20710512305	01021046	ST SD Pump Body Cover	1	400.00
4	20710512315	02011076	O-Ring for Pump Body	1	130.00
5	20710510955	01311015	Impeller SD020/SD50/SQ20/SQ50/SS20/SS50/ST20/ST50	1	700.00
5	20710510960	01311016	Impeller SD33/SD75/SQ33/SQ75/SS33/SS75/ST33/ST75	1	700.00
5	20710510965	01311017	Impeller SD050/SD100/SQ050/SQ100/SS050/SS100/ST050	1	700.00
5	20710510970	01311018	Impeller SD075/SD120/SQ075/SQ120/SS075/SS120/ST075	1	700.00
5	20710510975	01311019	Impeller SD100/SQ100/SS100/ST100(220V/50HZ)	1	700.00
5	20710510950	01311014	Impeller SS120(220V/50HZ)	1	700.00
5	20710510980	01311023	Impeller SD020/SQ020/SS020/ST020(220V,110V/60HZ)	1	700.00
5	20710510985	01311024	Impeller SD033/SQ033/SS033/ST033(220V,110V/60HZ)	1	700.00
6	20710510995	04015033	1/2" Mechanical Seal	1	800.00
7	20710512320	01021024	SD SQ ST Pump Body	1	920.00
8	20710512325	89022104	M8 x 25 Screw with Washer for Motor	4	130.00
9	20710511015	02011156	Motor Slinger	1	250.00
10	20710511025	89022109	Motor SD020/SQ020/SS020/ST020(220V/50HZ)	1	-
10	20710511030	89022110	Motor SD033 (220V/50Hz)	1	-
10	20710511035	89022105	Motor SD050/SQ050/SS050/ST050(220V/50HZ)	1	-
10	20710511040	89022106	Motor SD075/SQ075/SS075/ST075(220V/50HZ)	1	-
10	20710511045	89022107	Motor SD100/SQ100/SS100/ST100(220V/50HZ)	1	-
10	20710511050	89022108	Motor SD120/SQ120/SS120/ST120(220V/50HZ)	1	-
10	20710511055	89022201	Motor SD/SQ/SS/ST020(220V/60HZ)	1	-
10	20710511060	89022202	Motor SD/SQ/SS/ST033(220V/60HZ)	1	-
10	20710511065	89022203	Motor SD/SQ/SS/ST050(220V/60HZ)	1	-
10	20710511070	89022204	Motor SD/SQ/SS/ST075(220V/60HZ)	1	-
10	20710511075	89022205	Motor SD/SQ/SS/ST100(220V/60HZ)	1	-
10	20710511080	89022206	Motor SD/SQ/SS/ST120(220V/60HZ)	1	-
10	20710511085	89022305	Motor SD/SQ/SS/ST020(110V/60HZ)	1	-
10	20710511090	89022306	Motor SD/SQ/SS/ST033(110V/60HZ)	1	-
10	20710511095	89022301	Motor SD/SQ/SS/ST050(110V/60HZ)	1	-
10	20710511100	89022302	Motor SD/SQ/SS/ST075(110V/60HZ)	1	-
10	20710511105	89022303	Motor SD/SQ/SS/ST100(110V/60HZ)	1	-
10	20710511110	89022304	Motor SD/SQ/SS/ST120(110V/60HZ)	1	-
11	20710512330	89022101	Base with M5 x 20 Screw	1	400.00
12	20710511115	04016028	Capacitor for SS/SD/SQ/ST050 Pump 110V	1	1,800.00
12	20710510900	04016019	Capacitor for SC050 & SS/SD/SQ/ST075 Pump 110V	1	2,200.00
12	20710510905	04016021	Capacitor for SC075 & SS/SD/SQ/ST100-124 Pump 110V	1	2,900.00
12	20710511120	04016009	Capacitor for SS/SD/SQ/SP/ST050 Pump	1	700.00
12	20710510910	04016010	Capacitor for SS/SD/SQ/SP/ST075 & SC050 Pump	1	1,000.00
12	20710510440	04016012	Capacitor for SS/SD/SQ/SP/ST100-120	1	1,300.00

12	20710511125	04016032	Capacitor for SS/SD/SQ/ST020 Pump 110V	1	1,200.00
12	20710511130	04016033	Capacitor for SS/SD/SQ/ST033 Pump 110V	1	1,400.00
12	20710511135	04016030	Capacitor for SS/SD/SQ/ST020 AMU020P/TP(50/60Hz)	1	400.00
12	20710511140	04016031	Capacitor for SS/SD/SQ/ST033 Pump	1	400.00
13	20710511145	89022111	Cable Box for SQ/ST/SD020-033, SS020-SS030 Pump	1	800.00
14	20710510450	89022112	Cable Box for SD,SQ,SP,ST050-120 Pump	1	920.00
15	20710510260	89021505	Cable Box for ST050-ST075 Pump (110V/60HZ)	1	1,200.00
16	20710510340	01031027	Cooling fan for SS/SD/SQ/ST050-SS/SD/SQ/ST120 Pump	1	130.00
16	20710511150	01031026	Cooling fan for SS/SD/SQ/ST020-SS/SD/SQ/ST030 Pump	1	130.00
17	20710511155	01031011	Fan Cover for SS/SD/SQ/ST020-SS/SD/SQ/ST030 Pump	1	400.00
17	20710511160	01031010	Fan Cover for SQ/SP/SS/SD/ST050-SQ/SP/SS/SD/ST120	1	400.00
18	20320510970	02011104	O-Ring for 1.5" Union	2	130.00

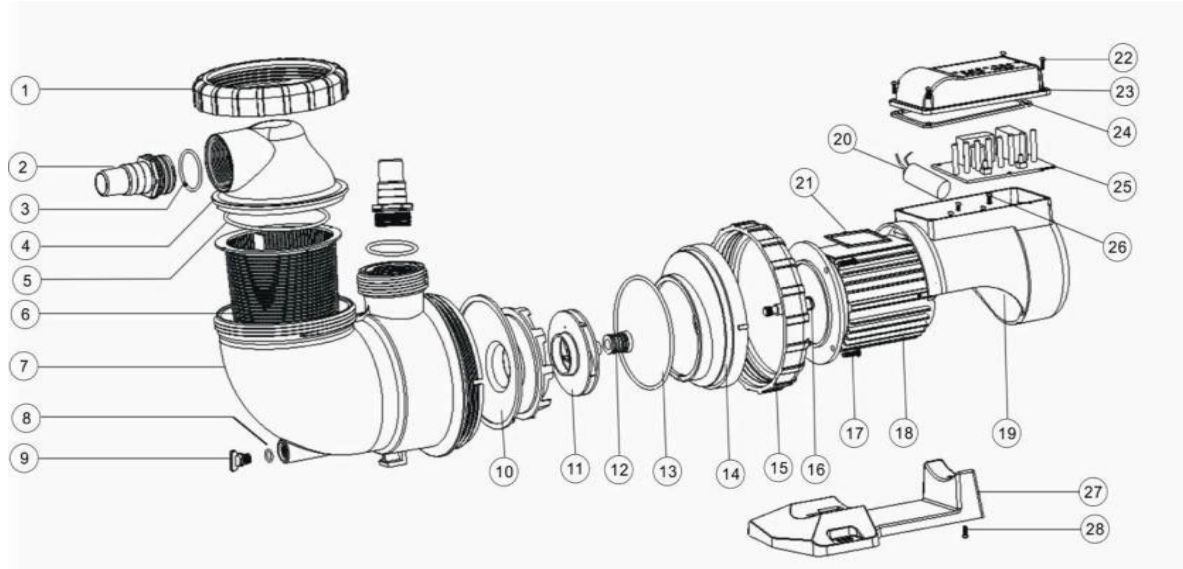
Notes: 1* 89280105B is 1.5"union in Black Colour
1* 89280105W is 1.5"union in White Colour



KEY NO.	POOLSPA CODES	PART NO.	DESCRIPTIONS	PIECE (S) REQUIRED	RETAIL PRICE 2022
1	20710510730	01041043	Transparent Lid	1	600.00
2	20710510735	02021088	O-Ring for Lid	1	250.00
3	20710512285	89021701	Basket with Handle	1	250.00
4	20710512290	01021061	SD Pump Pre-Filter	1	1,400.00
5*		89280105	1.5" Union (Black/ White Colour)	2	Refer to Price List
6	20650510180	89021307	Drain Plug With O-Ring	1	130.00
7	20710512295	89022102	Inter-locking Nut with Screw	1	250.00
8	20710512300	03011213	M5 x 16 Screw for Pump Front	6	250.00
9	20710512305	01021046	ST SD Pump Body Cover	1	350.00
10	20710510955	01311015	Impeller SD020/SD50/SQ20/SQ50/SS20/SS50/ST20/ST50	1	700.00
10	20710510960	01311016	Impeller SD33/SD75/SQ33/SQ75/SS33/SS75/ST33/ST75	1	700.00
10	20710510965	01311017	Impeller SD050/SD100/SQ050/SQ100/SS050/SS100/ST050	1	700.00
10	20710510970	01311018	Impeller SD075/SD120/SQ075/SQ120/SS075/SS120/ST075	1	700.00
10	20710510975	01311019	Impeller SD100/SQ100/SS100/ST100(220V/50HZ)	1	700.00
10	20710510950	01311014	Impeller SS120(220V/50HZ)	1	700.00
10	20710510980	01311023	Impeller SD020/SQ020/SS020/ST020(220V,110V/60HZ)	1	700.00
10	20710510985	01311024	Impeller SD033/SQ033/SS033/ST033(220V,110V/60HZ)	1	700.00
11	20710512310	E020302	1/2" Mechanical Seal	1	700.00
12	20710512315	02011076	O-Ring for Pump Body	1	130.00
13	20710512320	01021024	SD SQ ST Pump Body	1	800.00
14	20710512325	89022104	M8*25 Screw with Washer for Motor	4	130.00
15	20710511015	02011156	Motor Slinger	1	250.00
16	20710511025	89022109	Motor SD020/SQ020/SS020/ST020(220V/50HZ)	1	-
16	20710511030	89022110	Motor SD033 (220V/50HZ)	1	-
16	20710511035	89022105	Motor SD050/SQ050/SS050/ST050(220V/50HZ)	1	-
16	20710511040	89022106	Motor SD075/SQ075/SS075/ST075(220V/50HZ)	1	-
16	20710511045	89022107	Motor SD100/SQ100/SS100/ST100(220V/50HZ)	1	-
16	20710511050	89022108	Motor SD120/SQ120/SS120/ST120(220V/50HZ)	1	-
16	20710511055	89022201	Motor SD/SQ/SS/ST020(220V/60HZ)	1	-
16	20710511060	89022202	Motor SD/SQ/SS/ST033(220V/60HZ)	1	-
16	20710511065	89022203	Motor SD/SQ/SS/ST050(220V/60HZ)	1	-
16	20710511070	89022204	Motor SD/SQ/SS/ST075(220V/60HZ)	1	-
16	20710511075	89022205	Motor SD/SQ/SS/ST100(220V/60HZ)	1	-
16	20710511080	89022206	Motor SD/SQ/SS/ST120(220V/60HZ)	1	-
16	20710511085	89022305	Motor SD/SQ/SS/ST020(110V/60HZ)	1	-
16	20710511090	89022306	Motor SD/SQ/SS/ST033(110V/60HZ)	1	-
16	20710511095	89022301	Motor SD/SQ/SS/ST050(110V/60HZ)	1	-
16	20710511100	89022302	Motor SD/SQ/SS/ST075(110V/60HZ)	1	-
16	20710511105	89022303	Motor SD/SQ/SS/ST100(110V/60HZ)	1	-
16	20710511110	89022304	Motor SD/SQ/SS/ST120(110V/60HZ)	1	-
17	20710512330	89022101	Base with M5 x 20 Screw	1	350.00

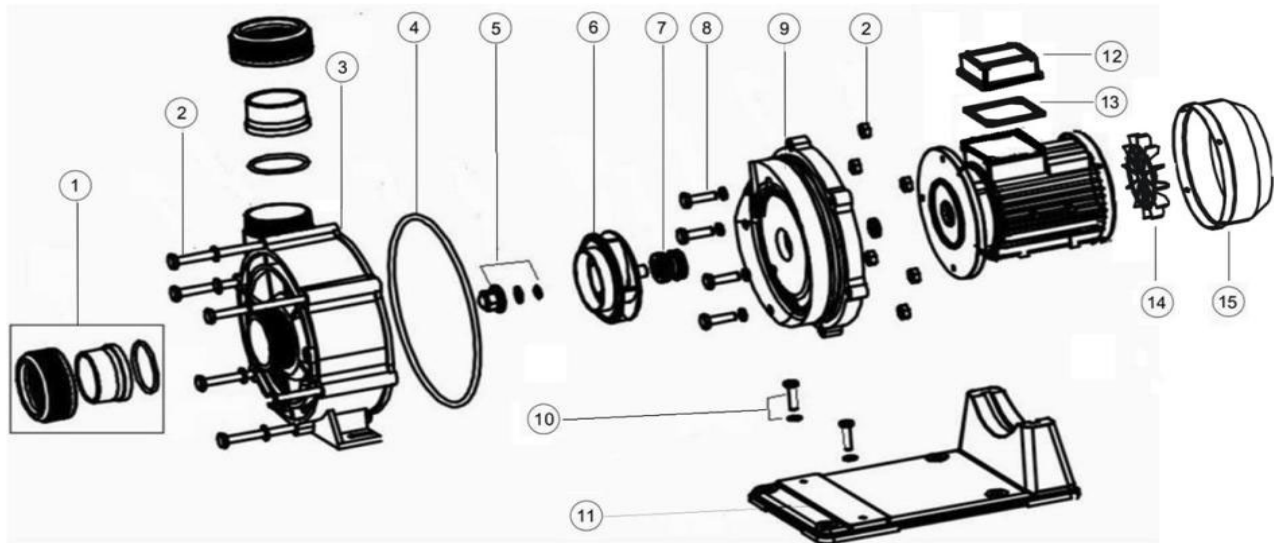
18	20710511115	04016028	Capacitor for SS/SD/SQ/ST050 Pump 110V	1	1,700.00
18	20710510900	04016019	Capacitor for SC050 & SS/SD/SQ/ST075 Pump 110V	1	700.00
18	20710510905	04016021	Capacitor for SC075 & SS/SD/SQ/ST100-124 Pump 110V	1	1,000.00
18	20710511120	04016009	Capacitor for SS/SD/SQ/SP/ST050 Pump	1	600.00
18	20710510910	04016010	Capacitor for SS/SD/SQ/SP/ST075 & SC050 Pump	1	920.00
18	20710510440	04016012	Capacitor for SS/SD/SQ/SP/ST100-120	1	1,200.00
18	20710511125	04016032	Capacitor for SS/SD/SQ/ST020 Pump 100V	1	600.00
18	20710511130	04016033	Capacitor for SS/SD/SQ/ST033 Pump 100V	1	600.00
18	20710511135	04016030	Capacitor for SS/SD/SQ/ST020 AMU020P/TP(50/60Hz)	1	350.00
18	20710511140	04016031	Capacitor for SS/SD/SQ/ST033 Pump	1	500.00
19	20710510450	89022112	Cable Box for SD,SQ,SP,ST050-120 Pump	1	800.00
20	20710511145	89022111	Cable Box for SQ/ST/SD020-033, SS020-SS030 Pump	1	700.00
21	20710510260	89021505	Cable Box 100V	1	1,000.00
22	20710510340	01031027	Cooling Fan for SS/SD/SQ/ST050-SS/SD/SQ/ST120 Pump	1	130.00
22	20710511150	01031026	Cooling Fan for SS/SD/SQ/ST020-SS/SD/SQ/ST030 Pump	1	130.00
23	20710511155	01031011	Fan Cover for SS/SD/SQ/ST020-SS/SD/SQ/ST030 Pump	1	350.00
23	20710511160	01031010	Fan Cover for SQ/SP/SS/SD/ST050-SQ/SP/SS/SD/ST120	1	500.00
24	20320510970	02011104	O-Ring for 1.5" Union	2	130.00

Notes: 5* 89280105B is 1.5" Union in Black Colour and 89280105W is 1.5" Union in White Colour

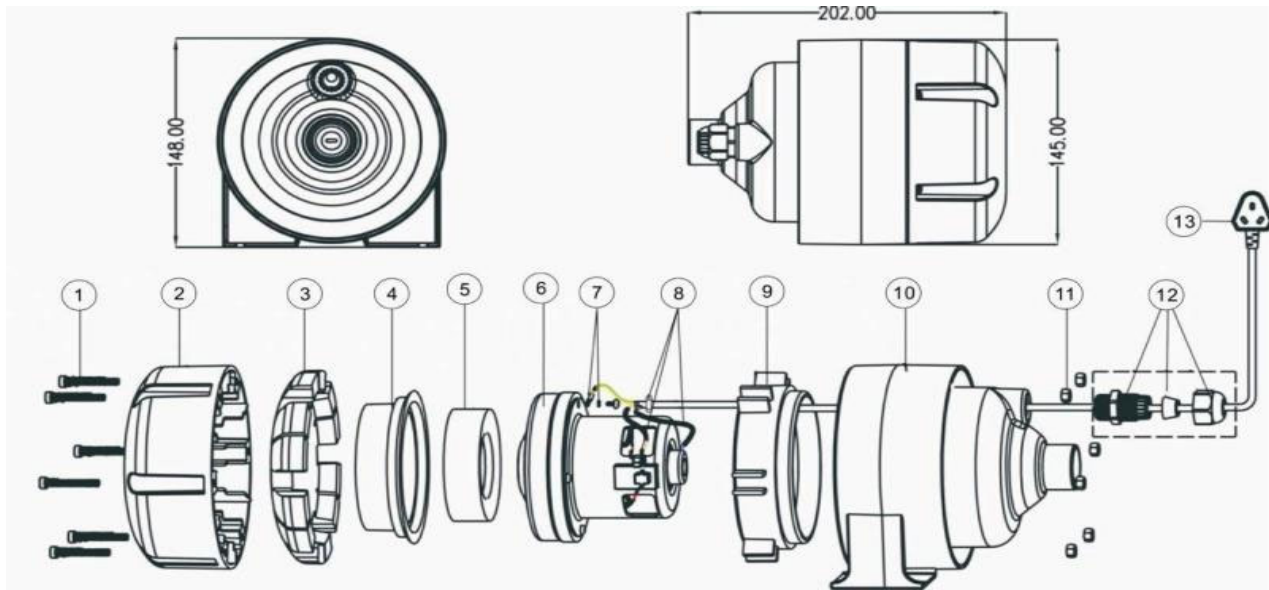


KEY NO.	POOLSPA CODES	PART NO.	DESCRIPTIONS	PIECE (S) REQUIRED	RETAIL PRICE 2022
1	20710511165	01021067	Nut for Lid	1	250.00
2*		89280105	1.5" Union (Black/ White Colour)	2	400.00
2	20650510140	01013015	1.5"Connector (black)	1	250.00
2	20710511170	01013051	32mm & 38mm Adaptor	2	250.00
3	20320510970	02011104	O-Ring for 1.5" Union	2	130.00
3	20650510135	02020013	O-ring for 1.5" Connector	2	130.00
4	20710511175	01041045	Transparent Lid	1	250.00
5	20710511180	02020049	O-Ring for Lid	1	130.00
6	20710511185	01111104	Basket	1	600.00
7	20710511190	01021070	AMU Pump Body	1	800.00
8	20710511195	02020014	O-Ring for Drain Plug	1	70.00
9	20710511200	01111017	Drain Plug with O'Ring	1	70.00
10	20710511205	01111103	Diffuser	1	250.00
11	20710511210	01311044	Impeller(AMU020TP/AMU020P)(220V/50HZ)	1	250.00
11	20710511215	01311045	Impeller(AMU012/16TP/AMU012/16P)(220V/50HZ/60HZ)	1	250.00
11	20710511220	01311046	Impeller(AMU016/20TP/AMU016/20P)(220V/50HZ/60HZ)	1	250.00
11	20710511225	01311051	Impeller(AMU012TP/AMU012P)(220V/60HZ)	1	250.00
12	20710511230	04015002	1/2" Mechanical Seal	1	400.00
13	20710511235	02020011	O-Ring for Flange	1	130.00
14	20710511240	01021069	Flange	1	400.00
15	20710511245	01021068	Nut for Body	1	250.00
16	20710511015	02011156	Motor Slinger	1	250.00
17	20710511250	03011067	Screw for Flange	4	70.00
18	20710511255	04021202	Motor (AMU012TP/AMU012P/ AMU016TP/ AMU016P) (220V/50HZ)(220V/60HZ)	1	-
18	20710511260	04021203	Motor (AMU020TP/AMU020P) (220V/50HZ)(220V/60HZ)	1	-
19	20710511265	01321019	Fan Cover	1	400.00
20	20710511270	04016036	Capacitor for AMU012TP/AMU012P&AMU016TP/AMU016P(220V/50HZ,220V/60HZ)	1	250.00
20	20710511135	04016030	Capacitor for SS/SD/SQ/ST020 AMU020P/TP(50/60Hz)	1	400.00
21	20710511275	02020048	Cover Slinger	1	70.00
22	20710511280	03011007	M4 x 12 Screw	4	70.00
23	20710511285	01321018	Cable Box	1	250.00
24	20710511290	02020012	Slinger for Cable Box	1	250.00
25	20710511295	04015041	PCB (for AMU012TP AMU016IP AMU020TP)	1	3,100.00
26	20710511300	03011100	Screw	4	70.00
27	20710511305	01111102	Base	1	250.00
28	20710511310	03011006	Screw for Base	1	70.00

Notes: 2. 89280105B is 1.5" Union in Black Colour
2. 89280105W 1.5" Union in White Colour



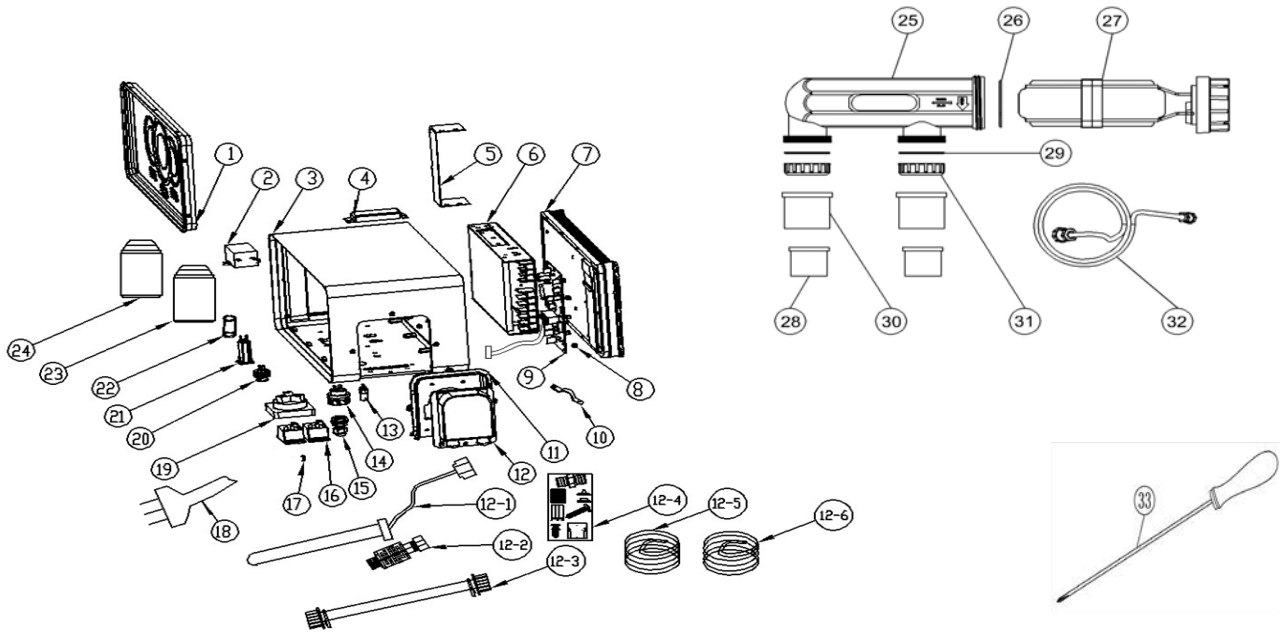
KEY NO.	POOLSPA CODES	PART NO.	DESCRIPTIONS	PIECE (S) REQUIRED	RETAIL PRICE 2022
1	22120510180	89023501	Union	2	1,700.00
2	20710511555	89023502	Screw with Nut & Washer	6	800.00
3	20710511560	01112094	Pump Body	1	5,200.00
4	20710511565	02010251	O-Ring for Flange	1	400.00
5	20710511570	89023503	Nut for Impeller	1	250.00
6	20710511575	01271049	Impeller AFS40	1	1,200.00
6	20710511580	01271050	Impeller AFS55	1	1,200.00
7	20710511585	04015054	Mechanical Seal	1	1,300.00
8	20710511590	89023504	Screw	4	130.00
9	20710511595	01112095	Pump Flange	1	3,300.00
10	20710511600	89023505	Screw	2	250.00
11	20710511605	01112096	Base	1	2,100.00
12	20710511610	01031040	Wire Box	1	600.00
13	20710511615	02010265	Box Slinger	1	130.00
14	20710511620	01031041	Fan	1	250.00
15	20710511625	01031042	Fan cover	1	400.00



KEY NO.	POOLSPA CODES	PART NO.	DESCRIPTIONS	PIECE (S) REQUIRED	RETAIL PRICE 2022
1	20810510005	03011081	Screw	6	70.00
2	20810510010	01271004	Cover for AB	1	1,300.00
3	20810510015	07101073	Sponge for Cover	1	250.00
4	20810510020	01091005	Stop Move Washer	1	250.00
5	20810510025	07101074	Sponge Washer	1	250.00
6	20810510030	04021056	Motor 220-230V,50/60Hz/350W	1	-
6	20810510035	04021098	Motor 220-230V,50/60Hz/450W	1	-
6	20810510040	04021099	Motor 220-230V,50/60Hz/550W	1	-
6	20810510045	04021070	Motor 110-120V,50/60Hz/350W	1	-
6	20810510050	04021096	Motor 110-120V,50/60Hz/450W	1	-
6	20810510055	04021097	Motor 110-120V,50/60Hz/550W	1	-
7	20810510060	04014024	Earth Cable	1	130.00
8	20810510065	04015036	Thermoplastic Cover	2	250.00
9	20810510070	01091006	Placement Lock for Motor	1	400.00
10	20810510075	01271003	Body	1	2,200.00
11	20810510080	03013013	Nut	6	70.00
12	20810510085	04014013	Lock for Cable	1	800.00
13	20810510090	04013025	Cable	1	920.00

Parts of SSC-One

[Back to Table of Content](#)

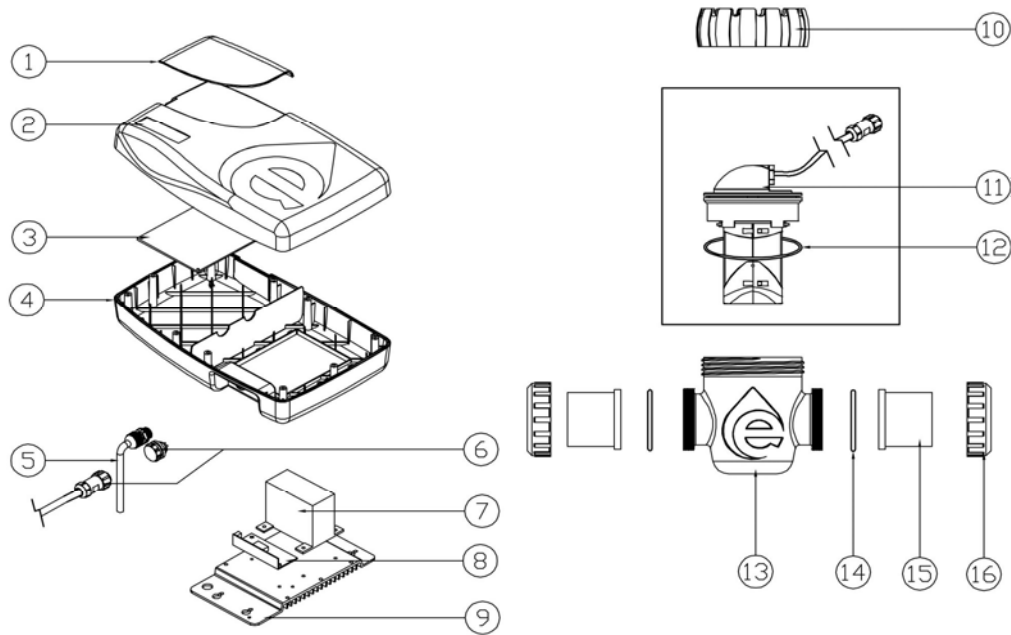


KEY NO.	POOLSPA CODES	PART NO.	DESCRIPTIONS	PIECE (S) REQUIRED	RETAIL PRICE 2022
1	20920510295	E130018	SSCone Lid with Touch Panel	1	8,300.00
1	20920510300	112222741	Screw M2.5*10(for SSCone lid)	14	25.00
2	20920510305	106090003	Filter	1	920.00
2	20920510310	112222675	Screw M4*8(for filter)	2	25.00
3	20920510315	530185745	Casing	1	9,100.00
4	20920510320	530176754	Exhaust Cover for casing	1	250.00
4	20920510325	112222674	Screw M4*6(for Exhaust Cover)	2	25.00
5	20920510330	530176837	Exhaust Cover for SMPS	1	500.00
5	20920510325	112222674	Screw M4*6 (for Exhaust Cover)	4	30.00
6	20920510335	106326825	Switch Mode Power Supply(SMPS)	1	18,200.00
6	20920510340	112000040	Screw M4*12(for SMPS)	4	35.00
7	20920510345	530105745	Bottom Casing	1	5,900.00
7	20920510350	112000037	Screw M4*60B(for Bottom Casing)	2	50.00
7	20920510355	112232645	Screw M4*14(for Bottom Casing)	12	25.00
8	20920510360	178497	Nylon Column M3*5	6	25.00
9	20920510365	E130019	PCB with 4 pins cable (with thermal pad)	1	20,000.00
9	20920510370	112222742	Screw M3*10(for PCB)	6	25.00
10	20920510375	420180886	Cable Clip	1	35.00
10	20920510310	112222675	Screw M4*8(for Cable Clip)	2	25.00
11	20920510380	540005780	Bottom lid of dosing pump	1	350.00
11	20920510385	112000036	Screw M2.5*10(for Bottom lid of dosing pump)	6	25.00
12	20920510390	3168390001	Dosing Pump (with pH Probe and accessories 12-1 to 12-6)	1	16,100.00
12-1	20920510395	178503	pH Probe	1	TBA
12-2	20920510400	178504	Probe Cover	1	TBA
12-3	20920510405	178505	Tube	1	TBA
12-4	20920510410	178506	Dosing accessories pack	1	TBA
12-5	20920510415	178507	Suction Tube	1	TBA
12-6	20920510420	178508	Discharging Tube	1	TBA
12-7	20920510425	3169500001	Dosing Pump Only (without accessories)	1	TBA
13	20920510430	1062670003	pH socket (BNC)	1	500.00
14	20920510435	106481502	SP Power Point	2	1,200.00
15	20920510440	106234778	PG9 Cable lock	1	500.00
15	20920510310	112222675	Screw M4*8(for PG9 cable lock)	2	500.00
16	20920510445	106090002	Relay	2	600.00
16	20920510310	112222675	Screw M4*8(for Relay)	4	25.00
17	20920510450	112000021	Screw M4*10(for earth cable)	1	35.00

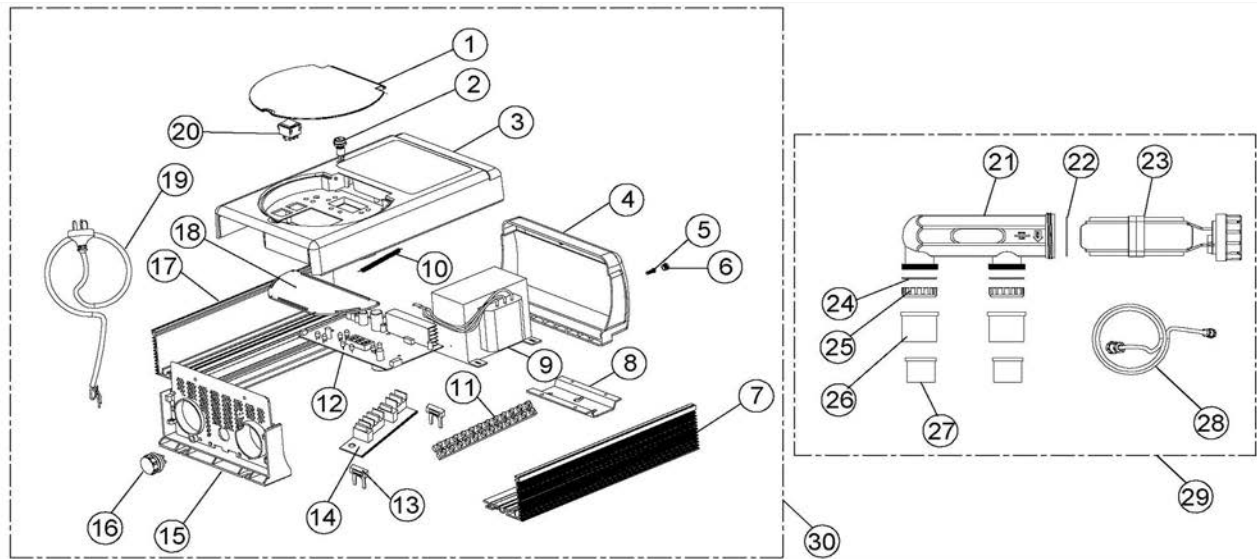
18	21040510245	105021259	Cable with Euro Plug	1	920.00
18	20920510455	105011249	Cable with Australia Plug	1	920.00
18	20920510460	105061272	Cable with USA Plug	1	920.00
19	20920510465	106116849	Euro Power Socket	1	250.00
19	20920510470	106116848	Australia Power Socket	1	250.00
19	20920510475	106116847	USA Power Socket	1	250.00
19	20920510480	E130026	Screw M4*16(for power socket)	4	70.00
20	20920510485	106486840	Pool Cover Socket	1	1,500.00
20	20920510490	106486851	Pool Cover contact	1	2,500.00
21	20920510495	106306844	Overcurrent Protector	1	250.00
22	20920510500	106090006	Ferrite	3	350.00
23	20920510505	109007168	Buffer Solution pH4 (50ml)	1	600.00
24	20920510510	109007167	Buffer Solution pH10 (50ml)	1	600.00
25	20920510140	01201025	Cell Housing	1	2,800.00
26	20920510145	02021044	O-Ring for Housing	1	120.00
27	20920510155	08050019	Replacement Cells for SSC25 & SSC50	1	23,000.00
28	20920510160	01171155	1.5" Union(A/E)	2	120.00
29	20320510200	02020016	O-Ring for Union	2	120.00
30	20650510270	01171154	2.0" Union (A/E)	2	250.00
31	20650510275	01013032	2.0" Union Nut	2	250.00
32	20920510165	89380215	Salt Chlorinator Cable Set	1	4,000.00
33	20920510515	178512	Ø3x200 Screw knife	1	250.00

Parts of SSCmini

[Back to Table of Content](#)



KEY NO.	POOLSPA CODES	PART NO.	DESCRIPTIONS	PIECE (S) REQUIRED	RETAIL PRICE 2022
1	20920510210	530095108	Transparent Lid	1	400.00
2	20920510215	530085108	Chlorinator Top Cover	1	1,800.00
2	20920510720	106855108	Switch keys	1	2,000.00
3	20920510220	106255294	Control electronic board(230/240V)	1	12,000.00
4	20920510225	530145108	lower lid	1	2,400.00
5	20810510085	106231416	Lock for Cable	1	700.00
5	20920510115	105021259	Cable and Euro Plug	1	900.00
5	20920510230	105005227	Cable	1	500.00
5	20920510190	105011249	Cable and Australia Plug	1	900.00
6	20920510235	106485122	SP Power Point	1	1,800.00
7	20920510240	106161403	Transformer for SSCmini	1	4,700.00
8	20920510135	106445476	SSCmini thyristor module	1	4,700.00
9	20920510245	116095118	Cooling aluminum	1	1,400.00
10	20920510250	530135108	Electrolytic cell nut	3	300.00
11	20650510280	E130015	Electrolytic cell	1	19,900.00
12	20920510265	111040010	O-Ring	1	200.00
13	20920510270	530045108	Electrolyzer housing	1	1,000.00
14	20650510220	111202472	O-Ring	2	100.00
15	20920510160	430300943	1.5" Union	2	130.00
15	20650510270	430300989	2.0" Union	2	250.00
16	20650510275	430170991	2.0" Nut	2	250.00



KEY NO.	POOLSPA CODES	PART NO.	DESCRIPTIONS	PIECE (S) REQUIRED	RETAIL PRICE 2022
1	20920510530	530090442	Door Model	1	300.00
2	20920510535	E130011	Fuse Seat 2.5A SSC15	1	300.00
2	20920510540	E130010	Fuse Seat 6.3A SSC25/50	1	400.00
3	20920510545	530080442	SSC Lid	1	1,800.00
4	20920510550	530060442	Chlorinator Top Cover	1	800.00
5	20920510555	112002636	M4 x 10 Screw	30	50.00
6	20920510560	111212512	Plastic Caps for Chlorinator Top Cover	4	50.00
7	20920510565	116093340	Profile B	1	1,800.00
8	20920510570	116113342	Hanging Bracket	1	300.00
9	20920510210	106166313	Transformer for SSC15	1	7,900.00
9	20920510215	106166314	Transformer for SSC25	1	9,100.00
9	20920510220	106166315	Transformer for SSC50	1	15,000.00
10	20920510575	112062661	Spring	1	150.00
11	20920510225	106271455	Terminal Jumper	1	300.00
*12	20920510230	E130030	SSC15 PCB Control Complete (Ver5.6.2)	1	11,400.00
*12	20920510235	E130031	SSC25 PCB Control Complete (ver5.6.2)	1	11,400.00
*12	20920510240	E130032	SSC50 PCB Control Complete (ver5.6.2)	1	13,700.00
*13	20920510580	106147653	Fuse 30A for SSC50 (Ver5.6.1 and 5.6.2) - Blade Type	2	190.00
*13	20920510585	E130009	Fuse carrier with fuse and cable for SSC50 (Ver5.6 or before) - Cylindrical Type	1	700.00
*14	20920510250	E130052	SSC15 Silicon contrlled combination(ver1.5)	1	3,500.00
*14	20920510255	E130053	SSC25 Silicon contrlled combination(ver1.5)	1	4,600.00
*14	20920510260	E130054	SSC50 Silicon contrlled combination(ver1.7)	1	5,800.00
15	20920510590	530100443	Bottom Panel Comp	1	580.00
16	20920510435	106481502	SP Power Point	1	1,200.00
17	20920510595	116093339	Profile A	1	1,800.00
18	20920510600	530070442	Fense Cover	1	160.00
19	21040510245	105021259	Cable and Euro Plug	1	900.00
19	20920510455	105011249	Cable and Australian Plug	1	900.00
20	20920510605	106171404	Switch I O 250VAC/6A	1	250.00
21	20920510610	530040442	Cell Housing	1	2,600.00
22	20920510615	111192492	O-Ring for Housing	1	130.00
23	20920510150	08050018	Replacement Cells for SSC15 .	1	16,700.00
23	20920510155	08050019	Replacement Cells for SSC25 & SSC50	1	23,000.00
24	20320510200	02020016	O-Ring for Union	2	130.00
25	20650510275	430170991	2.0" Union Nut	2	250.00
26	20650510270	430300989	2.0" Union (A/E)	2	250.00
27	20920510160	430300943	1.5" Union	2	130.00
28	20920510620	9130021	SSC15 \ SSC25 Salt Chlorinator Cable	1	2,900.00
29	20920510625	9130022	Complete Cell kits for SSC15 (with cable)	1	-

29	20920510630	9130023	Complete Cell kits for SSC25&SSC50, SSCone (with cable)	1	-
30	20920510635	9130024	SSC15-E Control Unit	1	-
30	20920510640	9130025	SSC25-E Control Unit	1	-
30	20920510645	9130026	SSC50-E Control Unit	1	-

Notes: 12, 14 For PCB Control Complete, Silicon controlled combination and EMC Board, there are different versions, please follow below tables:

All 5.6.2 Version Serial number from

SAO-1911-W-209

SAO-1912-W-xxx

SAO-2001-W-xxx

SAO-2002-W-xxx

SAO-2003-W-xxx

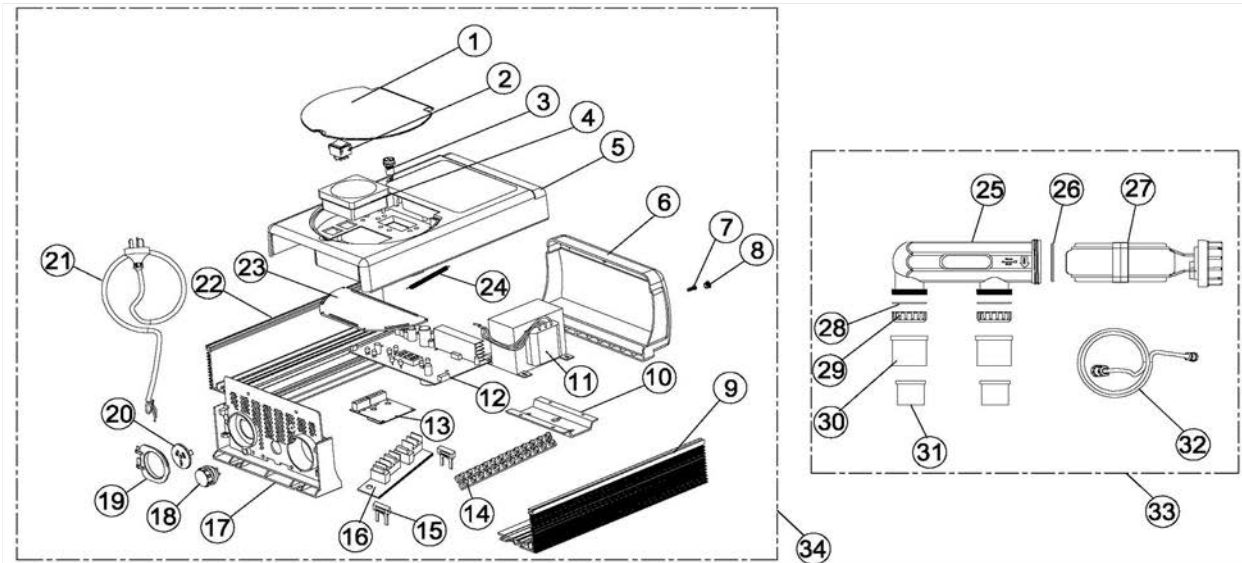
etc.

	PCB Control Complete(Ver5.6.2)		Silicon Controlled Combination		EMC Board(With/Without Light)	
A	Product Code	Version	Product Code	Version	Product Code	Version
SSC15E	E130030	Ver5.6.2	E130052	Ver1.5	N/A	N/A
SSC15T	E130030	Ver5.6.2	E130052	Ver1.5	E130042	Ver2.0
SSC15TLT	E130030	Ver5.6.2	E130052	Ver1.5	E130041	Ver2.0
SSC25E	E130031	Ver5.6.2	E130053	Ver1.5	N/A	N/A
SSC25T	E130031	Ver5.6.2	E130053	Ver1.5	E130042	Ver2.0
SSC25TLT	E130031	Ver5.6.2	E130053	Ver1.5	E130041	Ver2.0
SSC50E	E130032	Ver5.6.2	E130054	Ver1.7	N/A	N/A
SSC50T	E130032	Ver5.6.2	E130054	Ver1.7	E130042	Ver2.0

	PCB Control Complete(Ver5.6.1)		Silicon Controlled Combination		EMC Board(With/Without Light)	
B	Product Code	Version	Product Code	Version	Product Code	Version
SSC15E	E130027	Ver5.6.1	E130049	Ver1.4	N/A	N/A
SSC15T	E130027	Ver5.6.1	E130049	Ver1.4	E130042	Ver2.0
SSC15TLT	E130027	Ver5.6.1	E130049	Ver1.4	E130041	Ver2.0
SSC25E	E130028	Ver5.6.1	E130050	Ver1.4	N/A	N/A
SSC25T	E130028	Ver5.6.1	E130050	Ver1.4	E130042	Ver2.0
SSC25TLT	E130028	Ver5.6.1	E130050	Ver1.4	E130041	Ver2.0
SSC50E	E130029	Ver5.6.1	E130051	Ver1.6	N/A	N/A
SSC50T	E130029	Ver5.6.1	E130051	Ver1.6	E130042	Ver2.0

	PCB Control Complete(Ver5.6)		Silicon Controlled Combination		EMC Board(With/Without Light)	
C	Product Code	Version	Product Code	Version	Product Code	Version
SSC15E	E130012	Ver5.6	E130046	Ver1.3	N/A	N/A
SSC15T	E130012	Ver5.6	E130046	Ver1.3	E130042	Ver2.0
SSC15TLT	E130012	Ver5.6	E130046	Ver1.3	E130041	Ver2.0
SSC25E	E130013	Ver5.6	E130047	Ver1.3	N/A	N/A
SSC25T	E130013	Ver5.6	E130047	Ver1.3	E130042	Ver2.0
SSC25TLT	E130013	Ver5.6	E130047	Ver1.3	E130041	Ver2.0
SSC50E	E130014	Ver5.6	E130048	Ver1.5	N/A	N/A
SSC50T	E130014	Ver5.6	E130048	Ver1.5	E130042	Ver2.0

	PCB Control Complete(Ver5.4)		Silicon Controlled Combination		EMC Board(With/Without Light)	
D	Product Code	Version	Product Code	Version	Product Code	Version
SSC15E	E130007	Ver5.4	E130043	Ver1.2	N/A	N/A
SSC15T	E130007	Ver5.4	E130043	Ver1.2	E130040	Ver1.8
SSC15TLT	E130007	Ver5.4	E130043	Ver1.2	E130039	Ver1.8
SSC25E	E130002	Ver5.4	E130044	Ver1.2	N/A	N/A
SSC25T	E130002	Ver5.4	E130044	Ver1.2	E130040	Ver1.8
SSC25TLT	E130002	Ver5.4	E130044	Ver1.2	E130039	Ver1.8
SSC50E	E130001	Ver5.4	E130045	Ver1.4	N/A	N/A
SSC50T	E130001	Ver5.4	E130045	Ver1.4	E130040	Ver1.8



KEY NO.	POOLSPA CODES	PART NO.	DESCRIPTIONS	PIECE (S) REQUIRED	RETAIL PRICE 2022
1	20920510530	530090442	Door Model	1	300.00
2	20920510650	106171405	Switch I O II 250VAC / 6A	1	180.00
3	20920510535	E130011	Fuse Seat 2.5A SSC15	1	300.00
3	20920510540	E130010	Fuse Seat 6.3A SSC25/50	1	400.00
4	20920510655	106591524	Timer Analogue Battery Pack	1	5,900.00
5	20920510545	530080442	SSC Lid	1	1,800.00
6	20920510550	530060442	Chlorinator Top Cover	1	800.00
7	20920510555	112002636	M4 x 10 Screw	30	50.00
8	20920510560	111212512	Plastic Caps for Chlorinator Top Cover	4	50.00
9	20920510565	116093340	Profile B	1	1,800.00
10	20920510570	116113342	Hanging Bracket	1	300.00
11	20920510210	106166313	Transformer for SSC15	1	7,900.00
11	20920510215	106166314	Transformer for SSC25	1	9,100.00
11	20920510220	106166315	Transformer for SSC50	1	15,000.00
*12	20920510230	E130030	SSC15 PCB Control Complete (Ver5.6.2)	1	11,400.00
*12	20920510235	E130031	SSC25 PCB Control Complete (ver5.6.2)	1	11,400.00
*12	20920510240	E130032	SSC50 PCB Control Complete (ver5.6.2)	1	13,700.00
13	20920510265	E130042	EMC Board (without Light)(ver2.0)	1	2,900.00
14	20920510225	106271455	Terminal Jumper	1	300.00
*15	20920510580	106147653	Fuse 30A for SSC50 (Ver5.6.1 and 5.6.2) - Blade Type	2	190.00
*15	20920510585	E130009	Fuse carrier with fuse and cable for SSC50 (Ver5.6 or before) - Cylindrical Type	1	700.00
*16	20920510250	E130052	SSC15 Silicon contrlled combination(ver1.5)	1	3,500.00
*16	20920510255	E130053	SSC25 Silicon contrlled combination(ver1.5)	1	4,600.00
*16	20920510260	E130054	SSC50 Silicon contrlled combination(ver1.7)	1	5,800.00
17	20920510660	530100444	Bottom Panel Comp	1	580.00
18	20920510435	106481502	SP Power Point	1	1,200.00
19	20920510665	E130017	Component Enclosure Plate	2	100.00
20	20920510670	106111391	250V/10A Jack for Australia	1	480.00
21	21040510245	105021259	Cable with Euro Plug	1	900.00
21	20920510455	105011249	Cable with Australian Plug	1	900.00
22	20920510595	116093339	Profile A	1	1,800.00
23	20920510600	530070442	Fense Cover	1	160.00
24	20920510575	112062661	Spring	1	150.00
25	20920510610	530040442	Cell Housing	1	2,600.00
26	20920510615	111192492	O-Ring for Housing	1	130.00
27	20920510150	08050018	Replacement Cells for SSC15	1	16,700.00
27	20920510155	08050019	Replacement Cells for SSC25/50	1	23,000.00
28	20650510220	111202472	O-Ring for Union	2	130.00
29	20650510275	430170991	2.0" Union Nut (White)	2	250.00

30	20650510270	430300989	2.0" Union (A/E)	2	250.00
31	20920510160	430300943	1.5" Union	2	130.00
32	20920510620	9130021	SSC50 Salt Chlorinator Cable Set	1	2,900.00
33	20920510625	9130022	Complete Cell kits for SSC15 (with cable)	1	-
33	20920510630	9130023	Complete Cell kits for SSC25&SSC50, SSCone (with cable)	1	-
34	20920510675	9130027	SSC15-T Control Unit	1	-
34	20920510680	9130028	SSC25-T Control Unit	1	-
34	20920510685	9130029	SSC50-T Control Unit	1	-

Notes: 12, 13, 16 For PCB Control Complete, Silicon controlled combination and EMC Board, there are different versions, please follow below tables:

All 5.6.2 Version Serial number from

SAO-1911-W-209

SAO-1912-W-xxx

SAO-2001-W-xxx

SAO-2002-W-xxx

SAO-2003-W-xxx

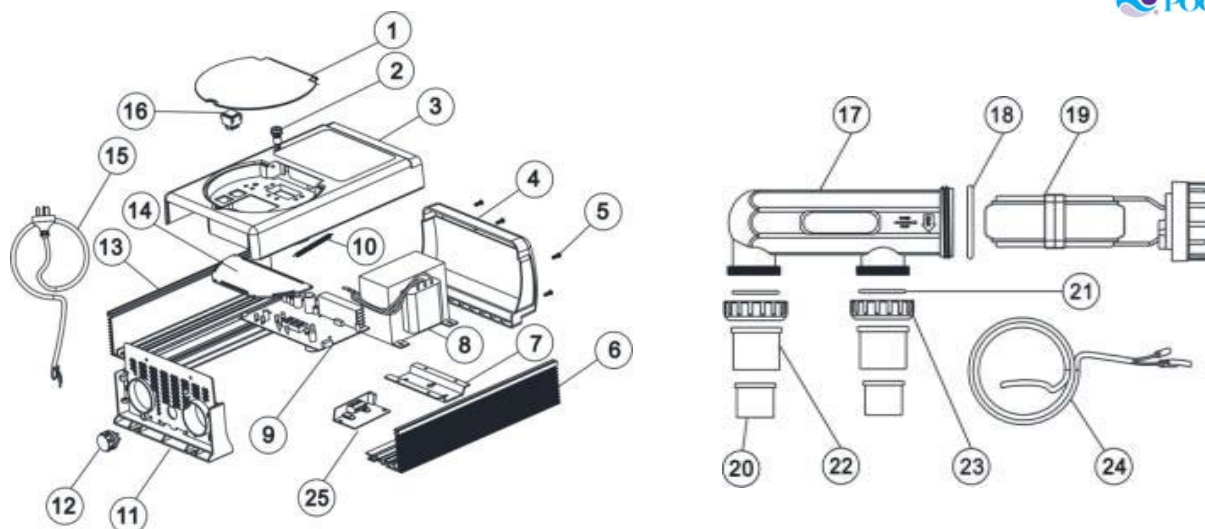
etc.

	PCB Control Complete(Ver5.6.2)		Silicon Controlled Combination		EMC Board(With/Without Light)	
A	Product Code	Version	Product Code	Version	Product Code	Version
SSC15E	E130030	Ver5.6.2	E130052	Ver1.5	N/A	N/A
SSC15T	E130030	Ver5.6.2	E130052	Ver1.5	E130042	Ver2.0
SSC15TLT	E130030	Ver5.6.2	E130052	Ver1.5	E130041	Ver2.0
SSC25E	E130031	Ver5.6.2	E130053	Ver1.5	N/A	N/A
SSC25T	E130031	Ver5.6.2	E130053	Ver1.5	E130042	Ver2.0
SSC25TLT	E130031	Ver5.6.2	E130053	Ver1.5	E130041	Ver2.0
SSC50E	E130032	Ver5.6.2	E130054	Ver1.7	N/A	N/A
SSC50T	E130032	Ver5.6.2	E130054	Ver1.7	E130042	Ver2.0

	PCB Control Complete(Ver5.6.1)		Silicon Controlled Combination		EMC Board(With/Without Light)	
B	Product Code	Version	Product Code	Version	Product Code	Version
SSC15E	E130027	Ver5.6.1	E130049	Ver1.4	N/A	N/A
SSC15T	E130027	Ver5.6.1	E130049	Ver1.4	E130042	Ver2.0
SSC15TLT	E130027	Ver5.6.1	E130049	Ver1.4	E130041	Ver2.0
SSC25E	E130028	Ver5.6.1	E130050	Ver1.4	N/A	N/A
SSC25T	E130028	Ver5.6.1	E130050	Ver1.4	E130042	Ver2.0
SSC25TLT	E130028	Ver5.6.1	E130050	Ver1.4	E130041	Ver2.0
SSC50E	E130029	Ver5.6.1	E130051	Ver1.6	N/A	N/A
SSC50T	E130029	Ver5.6.1	E130051	Ver1.6	E130042	Ver2.0

	PCB Control Complete(Ver5.6)		Silicon Controlled Combination		EMC Board(With/Without Light)	
C	Product Code	Version	Product Code	Version	Product Code	Version
SSC15E	E130012	Ver5.6	E130046	Ver1.3	N/A	N/A
SSC15T	E130012	Ver5.6	E130046	Ver1.3	E130042	Ver2.0
SSC15TLT	E130012	Ver5.6	E130046	Ver1.3	E130041	Ver2.0
SSC25E	E130013	Ver5.6	E130047	Ver1.3	N/A	N/A
SSC25T	E130013	Ver5.6	E130047	Ver1.3	E130042	Ver2.0
SSC25TLT	E130013	Ver5.6	E130047	Ver1.3	E130041	Ver2.0
SSC50E	E130014	Ver5.6	E130048	Ver1.5	N/A	N/A
SSC50T	E130014	Ver5.6	E130048	Ver1.5	E130042	Ver2.0

	PCB Control Complete(Ver5.4)		Silicon Controlled Combination		EMC Board(With/Without Light)	
D	Product Code	Version	Product Code	Version	Product Code	Version
SSC15E	E130007	Ver5.4	E130043	Ver1.2	N/A	N/A
SSC15T	E130007	Ver5.4	E130043	Ver1.2	E130040	Ver1.8
SSC15TLT	E130007	Ver5.4	E130043	Ver1.2	E130039	Ver1.8
SSC25E	E130002	Ver5.4	E130044	Ver1.2	N/A	N/A
SSC25T	E130002	Ver5.4	E130044	Ver1.2	E130040	Ver1.8
SSC25TLT	E130002	Ver5.4	E130044	Ver1.2	E130039	Ver1.8
SSC50E	E130001	Ver5.4	E130045	Ver1.4	N/A	N/A
SSC50T	E130001	Ver5.4	E130045	Ver1.4	E130040	Ver1.8



KEY NO.	POOLSPA CODES	PART NO.	DESCRIPTIONS	PIECE (S) REQUIRED	RETAIL PRICE 2022
1	20920510005	530090442	Door Model	1	300.00
2	20920510010	E130011	Fuse Seat 2.5A SSC15	1	300.00
2	20920510540	E130010	Fuse Seat 6.3A SSC25/50	1	400.00
3	20920510545	530080442	SSC Lid	1	1,800.00
4	20920510035	530060442	Chlorinator Top Cover	1	800.00
5	20920510040	112002636	M4 x 10 Screw	28	50.00
5	20920510045	111212512	Plastic Caps for Chlorinator Top Cover	4	50.00
6	20920510050	116093340	Profile B	1	1,800.00
7	20920510055	116113342	Hanging Bracket	1	300.00
8	20920510060	106166313	Transformer for SSC15	1	7,900.00
8	20920510065	106166314	Transformer for SSC25	1	9,100.00
*9	20920510070	E130012	SSC15 PCB Control Complete(Ver5.6)	1	11,400.00
*9	20920510075	E130013	SSC25 PCB Control Complete(Ver5.6)	1	11,400.00
10	20920510125	112062661	Spring	1	150.00
11	20920510285	530100443	Bottom Panel Comp	1	580.00
12	20920510090	106481502	SP Power Point	1	1,200.00
13	20920510105	116093339	Profile A	1	1,800.00
14	20920510110	530070442	Fense Cover	1	160.00
15	20920510115	105021259	Cable and Euro Plug	1	900.00
16	20920510290	106171404	Switch I O 250VAC/6A	1	250.00
17	20920510140	530040442	Cell Housing	1	2,600.00
18	20920510145	111192492	O-Ring for Housing	1	130.00
19	20920510150	08050018	Replacement Cells for SSC15 .	1	16,700.00
19	20920510155	08050019	Replacement Cells for SSC25 & SSC50	1	23,000.00
20	20920510160	430300943	1.5" Union	2	130.00
21	20320510200	111202472	O-Ring for Union	2	130.00
22	20650510275	430170991	2.0" Union Nut	2	250.00
23	20650510270	430300989	2.0" Union (A/E)	2	250.00
24	20920510165	9130021	SSC Salt Chlorinator Cable Set	1	2,900.00
*25	20920510130	E130046	SSC15 Silicon controled combination(ver1.3) with connection cable	1	4,200.00
*25	20920510135	E130047	SSC25 Silicon controled combination(ver1.3) with connection cable	1	5,300.00

All 5.6 Version Serial number before

SAO-1910-W-271

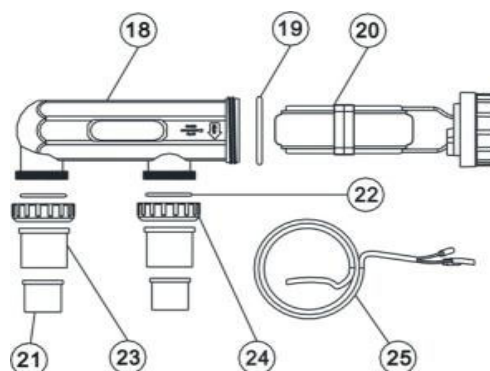
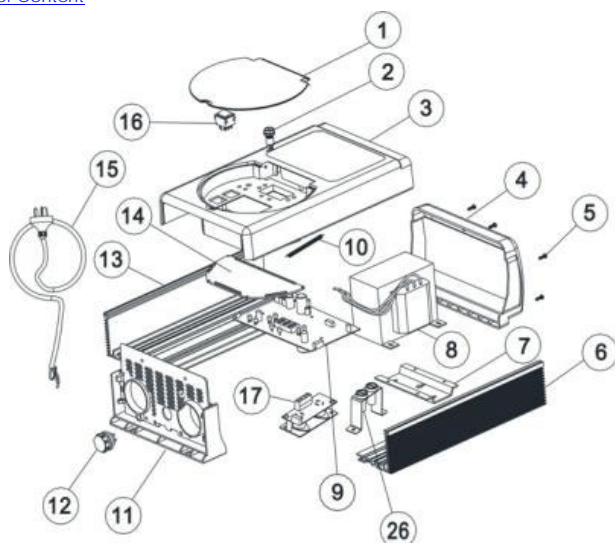
SAO-1908-W-124

SAO-1907-W-xxx

SAO-1906-W-xxx

SAO-1905-W-xxx

etc.



KEY NO.	POOLSPA CODES	PART NO.	DESCRIPTIONS	PIECE (S) REQUIRED	RETAIL PRICE 2022
1	20920510005	530090442	Door Model	1	300.00
2	20920510540	E130010	Fuse Seat 6.3A SSC25/50	1	400.00
3	20920510545	530080442	SSC Lid	1	1,800.00
4	20920510035	530060442	Chlorinator Top Cover	1	800.00
5	20920510040	112002636	M4 x 10 Screw	28	50.00
5	20920510045	111212512	Plastic Caps for Chlorinator Top Cover	4	50.00
6	20920510050	116093340	Profile B	1	1,800.00
7	20920510055	116113342	Hanging Bracket	1	300.00
8	20920510200	106166315	Transformer for SSC50	1	15,000.00
*9	20920510725	E130014	SSC50 PCB Control Complete(Ver5.6)	1	13,700.00
10	20920510125	112062661	Spring	1	150.00
11	20920510300	530100443	Bottom Panel Comp	1	580.00
12	20920510090	106481502	SP Power Point	1	1,200.00
13	20920510105	116093339	Profile A	1	1,800.00
14	20920510110	530070442	Fense Cover	1	160.00
15	20920510115	105021259	Cable and Euro Plug	1	900.00
16	20920510290	106171404	Switch I O 250VAC/6A	1	250.00
17	20920510185	E130048	SSC50 Silicon contrlled combination(ver1.5) with connectaion cable	1	6,800.00
18	20920510140	530040442	Cell Housing	1	2,600.00
19	20920510145	111192492	O-Ring for Housing	1	130.00
20	20920510155	08050019	Replacement Cells for SSC25 & SSC50	1	23,000.00
21	20920510160	430300943	1.5" Union	2	130.00
22	20320510200	111202472	O-Ring for Union	2	130.00
23	20650510270	430300989	2.0" Union (A/E)	2	250.00
24	20650510275	430170991	2.0" Union Nut	2	250.00
25	20920510165	9130021	SSC Salt Chlorinator Cable Set	1	2,900.00
26	20920510585	E130009	Fuse carrier with fuse and cable for SSC50 (Ver5.6 or before) - Cylindrical Type	1	680.00

All 5.6 Version Serial number before

SAO-1910-W-271

SAO-1908-W-124

SAO-1907-W-xxx

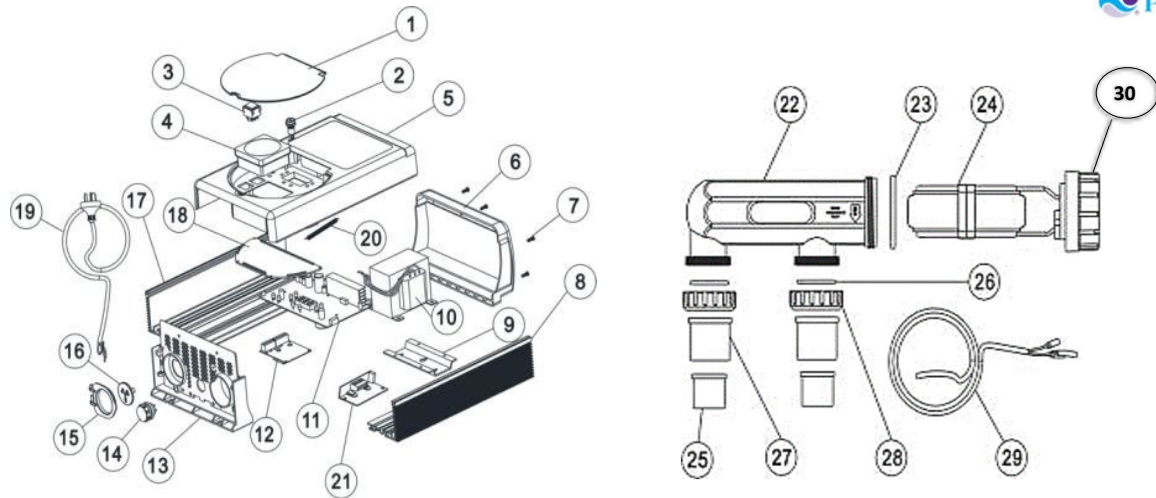
SAO-1906-W-xxx

SAO-1905-W-xxx

etc.

Parts of SSC Models: SSC15 T/ SSC 25 T - Version 5.6

[Back to Table of Content](#)



KEY NO.	POOLSPA CODES	PART NO.	DESCRIPTIONS	PIECE (S) REQUIRED	RETAIL PRICE 2022
1	20920510005	530090442	Door Model	1	300.00
2	20920510010	E130011	Fuse Seat 2.5A SSC15	1	300.00
2	20920510540	E130010	Fuse Seat 6.3A SSC25/50	1	400.00
3	20920510015	106171405	Switch I O II 250VAC / 6A	1	250.00
4	20920510020	106591524	Timer Analogue Battery Pack	1	5,900.00
5	20920510545	530080442	SSC Lid	1	1,800.00
6	20920510035	530060442	Chlorinator Top Cover	1	800.00
7	20920510040	112002636	M4 x 10 Screw	28	50.00
7	20920510045	111212512	Plastic Caps for Chlorinator Top Cover	4	50.00
8	20920510050	116093340	Profile B	1	1,800.00
9	20920510055	116113342	Hanging Bracket	1	300.00
10	20920510060	106166313	Transformer for SSC15	1	7,900.00
10	20920510065	106166314	Transformer for SSC25	1	9,100.00
*11	20920510070	E130012	SSC15 PCB Control Complete(Ver5.6)	1	11,400.00
*11	20920510075	E130013	SSC25 PCB Control Complete(Ver5.6)	1	11,400.00
12	20920510265	E130042	EMC Board (without Light)(ver2.0)	1	4,200.00
13	20920510085	530100443	Bottom Panel Comp	1	580.00
14	20920510090	106481502	SP Power Point	1	1,200.00
15	20920510095	E130017	Component Enclosure Plate	2	100.00
16	20920510100	106111391	250V/10A Jack for Australia	1	480.00
17	20920510105	116093339	Profile A	1	1,800.00
18	20920510110	530070442	Fense Cover	1	160.00
19	20920510115	105021259	Cable and Euro Plug	1	900.00
20	20920510125	112062661	Spring	1	150.00
*21	20920510130	E130046	SSC15 Silicon contrlled combination(ver1.3) with connection cable	1	4,200.00
*21	20920510135	E130047	SSC25 Silicon contrlled combination(ver1.3) with connection cable	1	5,300.00
22	20920510140	530040442	Cell Housing	1	2,600.00
23	20920510145	111192492	O-Ring for Housing	1	130.00
24	20920510150	08050018	Replacement Cells for SSC15 .	1	16,700.00
24	20920510155	08050019	Replacement Cells for SSC25 & SSC50	1	23,000.00
25	20920510160	430300943	1.5" Union	2	130.00
26	20320510200	111202472	O-Ring for Union	2	130.00
27	20650510270	430300989	2.0" Union (A/E)	2	250.00
28	20650510275	430170991	2.0" Union Nut	2	250.00
29	20920510165	9130021	SSC Salt Chlorinator Cable Set	1	2,900.00

All 5.6 Version Serial number before

SAO-1910-W-271

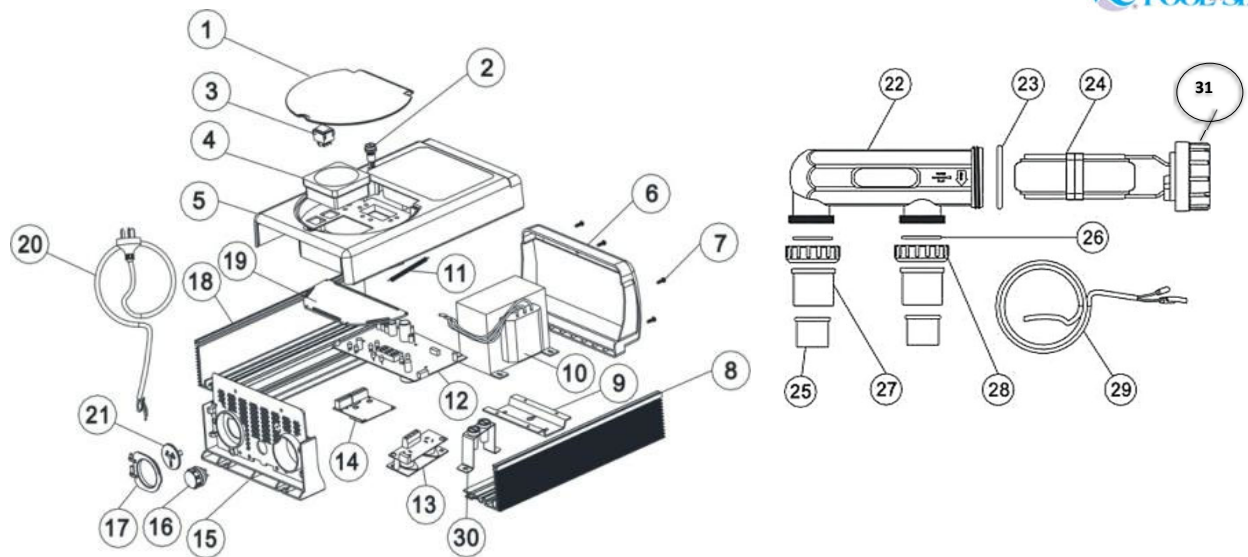
SAO-1908-W-124

SAO-1907-W-xxx

SAO-1906-W-xxx

SAO-1905-W-xxx

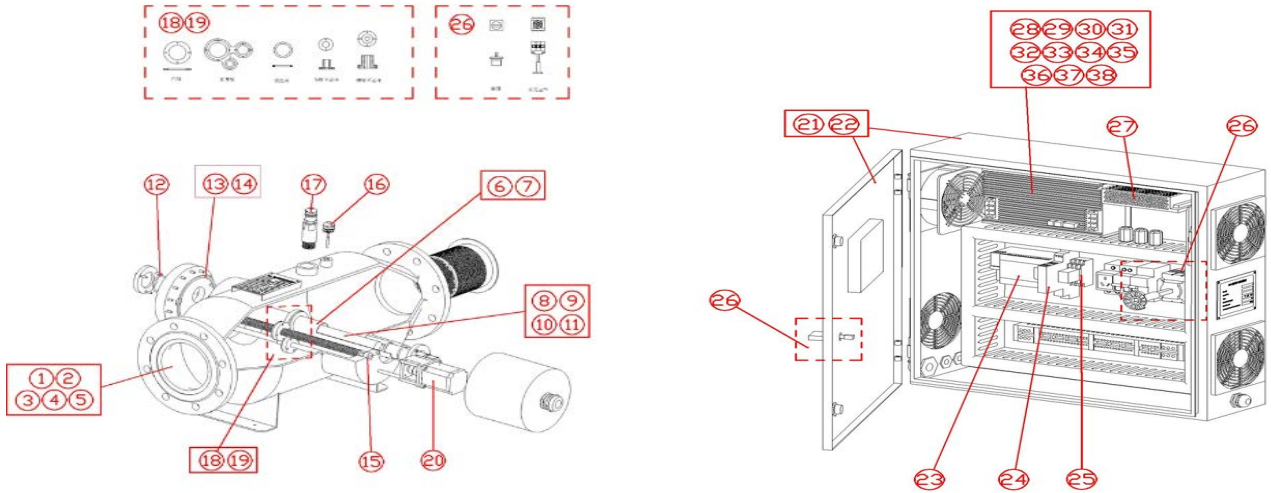
etc.



KEY NO.	POOLSPA CODES	PART NO.	DESCRIPTIONS	PIECE (S) REQUIRED	RETAIL PRICE 2022
1	20920510005	530090442	Door Model	1	300.00
2	20920510540	E130010	Fuse Seat 6.3A SSC25/50	1	400.00
3	20920510015	106171405	Switch I O II 250VAC / 6A	1	250.00
4	20920510020	106591524	Timer Analogue Battery Pack	1	5,900.00
5	20920510545	530080442	SSC Lid	1	1,800.00
6	20920510035	530060442	Chlorinator Top Cover	1	800.00
7	20920510040	112002636	M4 x 10 Screw	28	50.00
7	20920510045	111212512	Plastic Caps for Chlorinator Top Cover	4	50.00
8	20920510050	116093340	Profile B	1	1,800.00
9	20920510055	116113342	Hanging Bracket	1	300.00
10	20920510220	106166315	Transformer for SSC50	1	15,000.00
11	20920510125	112062661	Spring	1	150.00
*12	20920510725	E130014	SSC50 PCB Control Complete(Ver5.6)	1	13,700.00
*13	20920510185	E130048	SSC50 Silicon controlled combination(ver1.5) with connectaion cable	1	6,800.00
*14	20920510265	E130042	EMC Board (without Light)(ver2.0)	1	4,200.00
15	20920510085	530100443	Bottom Panel Comp	1	580.00
16	20920510090	106481502	SP Power Point	1	1,200.00
17	20920510095	E130017	Component Enclosure Plate	2	100.00
18	20920510105	116093339	Profile A	1	1,800.00
19	20920510110	530070442	Fense Cover	1	160.00
20	20920510115	105021259	Cable and Euro Plug	1	900.00
21	20920510100	106111391	250V/10A Jack for Australia	1	480.00
22	20920510140	530040442	Cell Housing	1	2,600.00
23	20920510145	111192492	O-Ring for Housing	1	130.00
24	20920510155	08050019	Replacement Cells for SSC25 & SSC50	1	23,000.00
25	20920510160	430300943	1.5" Union	2	130.00
26	20320510200	111202472	O-Ring for Union	2	130.00
27	20650510270	430300989	2.0" Union (A/E)	2	250.00
28	20650510275	430170991	2.0" Union Nut	2	250.00
29	20920510165	9130021	SSC Salt Chlorinator Cable Set	1	2,900.00
30	20920510585	E130009	Fuse carrier with fuse and cable for SSC50 (Ver5.6 or before) - Cylindrical Type	1	680.00

Parts of MPUV

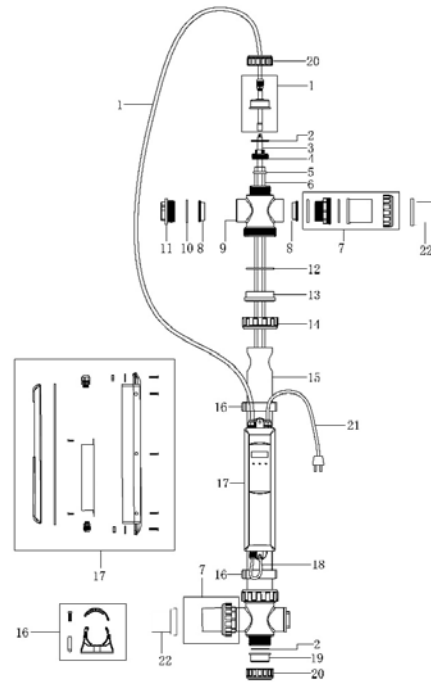
[Back to Table of Content](#)



KEY NO.	POOLSPA CODES	PART NO.	DESCRIPTIONS	PIECE (S) REQUIRED	RETAIL PRICE 2022
1	21040510355	206026642	Reactor Body for NT-MPUV40/60	1	-
2	21040510360	206026643	Reactor Body for NT-MPUV105	1	-
3	21040510365	206026644	Reactor Body for NT-MPUV145/170	1	-
4	21040510370	206026645	Reactor Body for NT-MPUV220	1	-
5	21040510375	206026646	Reactor Body for NT-MPUV300/355/415	1	-
6	21040510380	103026647	Quartz Lamp Tube for NT-MPUV40/60/105/220	1	2,900.00
7	21040510385	103026648	Quartz Lamp Tube for NT-MPUV145/170/300/355/415	1	3,100.00
8	21040510390	106776649	UV Lamp 1KW for NT-MPUV40	1	73,600.00
9	21040510395	106776650	UV Lamp 2KW for NT-MPUV60/105/220	1	78,400.00
10	21040510400	106776651	UV Lamp 3KW for NT-MPUV145/170/300/355	1	82,200.00
11	21040510405	106776652	UV Lamp 4KW for NT-MPUV415	1	154,000.00
12	21040510410	111030022	Quartz Tube Fixing Ring	1	400.00
13	21040510415	111030023	Seal Block of the Reactor for NT-MPUV40/60/105/145/170	1	100.00
14	21040510420	111030024	Seal Block of the Reactor for NT-MPUV220/300/355/415	1	1,700.00
15	21040510425	113006653	Mechanical Seal	1	7,000.00
16	21040510430	206056654	Platinum Resistance Thermometer	1	9,300.00
17	21040510435	206066655	Light Intensity Sensor	1	56,350.00
18	21040510440	E130501	Cleaning Kit for NT-MPUV40/60/105/145/170	1	25,300.00
19	21040510445	E130502	Cleaning Kit for NT-MPUV220/300/355/415	1	19,000.00
20	21040510450	206036663	Motor	1	60,700.00
21	21040510455	206126665	Controller Case for NT-MPUV40/60/105/145/170	1	71,000.00
22	21040510460	206126666	Controller Case for NT-MPUV220/300/355/415	1	89,000.00
23	21040510465	206016667	PLC Controller	1	75,000.00
24	21040510470	206166668	Temperature Transmitter	1	19,000.00
25	21040510475	206046669	Relay	1	28,000.00
26	21040510480	E130503	On/Off Switch with Knob	1	53,000.00
27	21040510485	206156672	Switch Mode Power Supply	1	13,000.00
28	21040510490	106736673	Transformer for NT-MPUV40(220-240V)	1	91,000.00
29	21040510495	106736674	Transformer for NT-MPUV60(220-240V)	1	110,000.00
30	21040510500	106736675	Transformer for NT-MPUV105/220(220-240V)	1	137,000.00
31	21040510505	106736676	Transformer for NT-MPUV145/300(220-240V)	1	177,100.00
32	21040510510	106736677	Transformer for NT-MPUV170/355(220-240V)	1	177,100.00
33	21040510515	106736678	Transformer for NT-MPUV415(220-240V)	1	187,500.00
34	21040510520	106736719	Transformer for NT-MPUV220(360-380V)	1	160,000.00
35	21040510525	106736720	Transformer for NT-MPUV300(360-380V)	1	200,100.00
36	21040510530	106736721	Transformer for NT-MPUV355(360-380V)	1	200,100.00
37	21040510535	106736722	Transformer for NT-MPUV415(360-380V)	1	210,500.00
38	21040510540	112090005	Ferrite Core	1	1,700.00

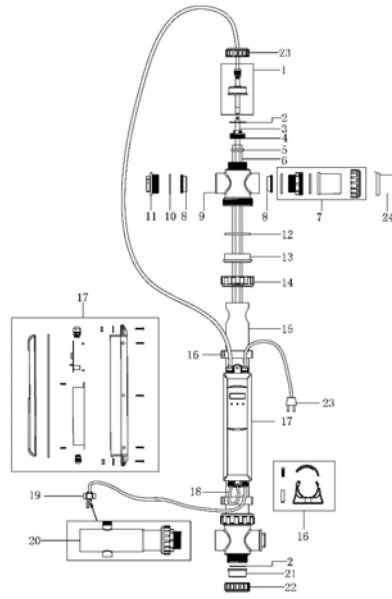
Parts of NT-UV40-T/NT-UV75-T

[Table of Content](#)



KEY NO.	POOLSPA CODES	PART NO.	DESCRIPTIONS	PIECE (S) REQUIRED	RETAIL PRICE 2022
1	21040510545	E130423	End Cap for Cable Hole With Epoxy	1	2,000.00
2	21040510125	111040015	Lamp connector O'ring	2	70.00
3	21040510210	E130426	40W UV lamp	1	5,900.00
3	21040510215	E130427	75W UV lamp	1	6,500.00
4	21040510130	440422251	25 lamp adaptor	2	70.00
5	21040510135	111030021	Quaatz O'ring(d24.8XØ5.2)	2	250.00
6	21040540550	E130432	Quartz Tube for 45W/70W	1	800.00
7	21040510140	E190201	Pipe connection 2"	2	450.00
8	21040510145	620125430	Adaptor	4	70.00
9	21040510160	620062251	25Cross	2	420.00
10	21040510150	111142482	Connector O'ring	2	70.00
11	21040510155	430221017	Transpar lid	2	130.00
12	21040510165	111202472	UV body O'ring(D76*Ø6)	2	130.00
13	21040510170	620165430	Body connection	2	130.00
14	21040510175	430170986	Union Nut	2	130.00
15	21040510225	620145462	Stainless Steel body	1	4,500.00
16	21040510190	E130404	Closed pipe clips	2	130.00
17	21040510250	E130410	UV40T ballast	1	5,400.00
17	21040510255	E130411	UV75T ballast	1	6,400.00
18	21040510240	E130407	Earth Connexion	1	280.00
19	21040510195	620135460	Cap	1	70.00
20	21040510200	430170635	Union Nut 1.5"	1	130.00
21	21040510245	105021259	Plug lead	1	900.00
22	20920510160	430300943	1.5" union (Imperial/Metric)	1	130.00

Notes: For complete ballast box, please order item 1, 17, 18, 21 together

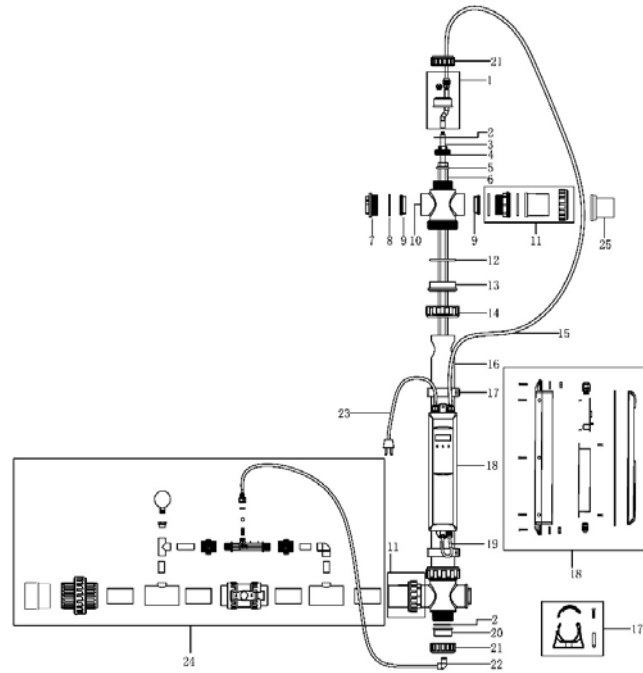


KEY NO.	POOLSPA CODES	PART NO.	DESCRIPTIONS	PIECE (\$)	RETAIL PRICE 2022
1	21040510545	E130423	End Cap for Cable Hole With Epoxy	1	2,000.00
2	21040510125	111040015	Lamp connector O'ring	2	70.00
3	21040510300	E130429	130W UV lamp	1	22,000.00
4	21040510305	440420156	31 lamp adaptor	2	70.00
5	21040510310	111030020	Quaatz O'ring(d30XØ6)	2	250.00
6	21040510555	E130430	Quartz Tube for 130W	1	990.00
7	21040510140	E190201	Pipe connection 2 "	2	450.00
8	21040510145	620125430	Adaptor	4	70.00
9	21040510320	6200060156	31Cross	2	330.00
10	21040510150	111142482	Connector O'ring	2	70.00
11	21040510155	430221017	Transpar lid	2	130.00
12	21040510325	111142482	UV body O'ring(D76*Ø6)	2	130.00
13	21040510170	620165430	Body connection	2	130.00
14	21040510175	430170986	Union Nut	2	130.00
15	21040510225	620145462	Stainless Steel body	1	4,800.00
16	21040510190	E130404	Closed pipe clips	1	130.00
17	21040510330	E130413	UV130-F ballast	1	14,500.00
17	21040510335	E130412	UV130-TF ballast	1	15,500.00
18	21040510240	E130407	Earth Connexion	1	280.00
19	21040510340	114145332	Flow Switch	1	2,200.00
20	21040510345	E130434	Pipe Fittings	1	180.00
21	21040510195	620135460	Cap	1	70.00
22	21040510200	430170635	Union Nut 1.5 "	1	130.00
23	21040510245	105021259	Plug lead	1	900.00
24	20920510160	430300943	1.5" union (Imperial/Metric)	1	130.00

Notes: For complete ballast box, please order item 1,17,18,19,23 together

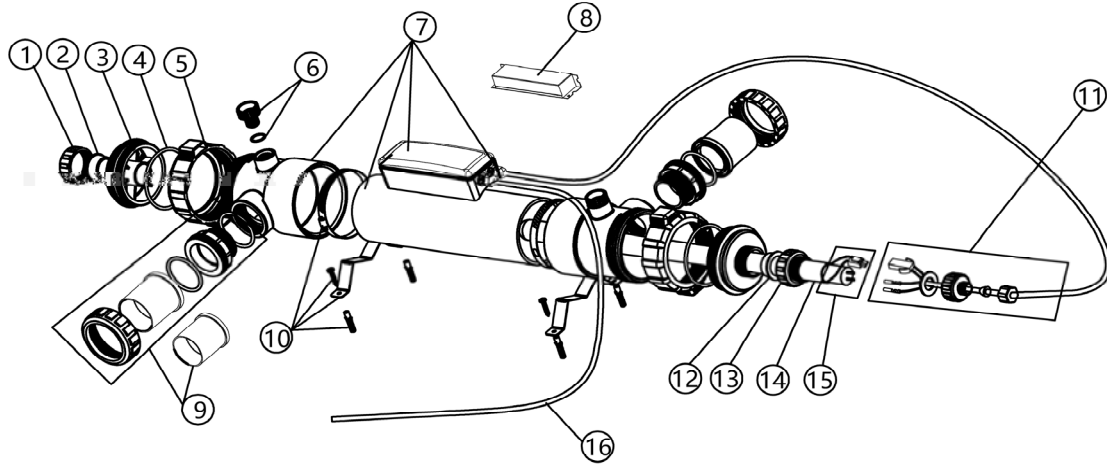
Parts of NT-UV87-TO

[Table of Content](#)



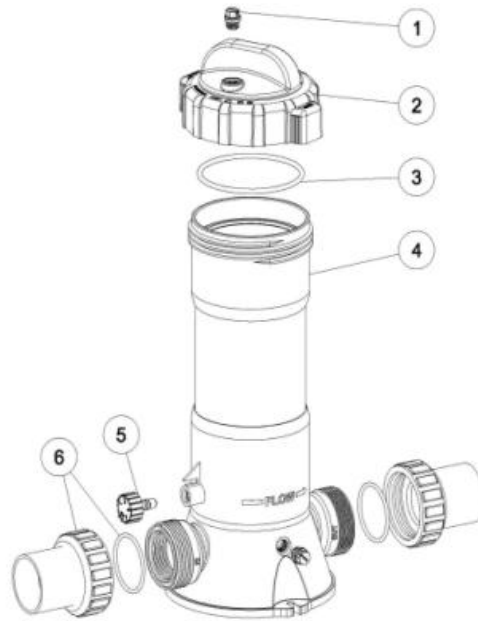
KEY NO.	POOLSPA CODES	PART NO.	DESCRIPTIONS	PIECE (S) REQUIRED	RETAIL PRICE 2022
1	21040510560	E130424	End Cap for Double Hole With Epoxy	1	1,300.00
2	21040510125	111040015	Lamp connector O'ring	2	70.00
3	21040510265	E130428	87W UV lamp	1	8,400.00
4	21040510130	440422251	25 lamp adaptor	2	70.00
5	21040510135	111030021	Quaatz O'ring(d24.8XØ5.2)	2	250.00
6	21040510270	E130431	87W Quartz Tube	1	800.00
7	21040510155	430221017	Transpar lid	2	130.00
8	21040510150	111142482	Connector O'ring	2	70.00
9	21040510145	620125430	Adaptor	4	70.00
10	21040510160	620062251	25Cross	2	400.00
11	21040510140	E190201	Pipe connection 2 "	2	450.00
12	21040510165	111202472	UV body O'ring(D76*Ø6)	2	70.00
13	21040510170	620165430	Body connection	2	130.00
14	21040510175	430170986	Union Nut	2	130.00
15	21040510275	105004779	Cable	1	600.00
16	21040510225	620145462	Stainless Steel body	1	4,500.00
17	21040510190	E130404	Closed pipe clips	2	130.00
18	21040510280	E130402	UV87-TO ballast	1	6,500.00
19	21040510240	E130407	Earth Connexion	1	280.00
20	21040510285	620135467	Air hole Cap	1	70.00
21	21040510200	430170635	Union Nut 1.5 "	1	130.00
22	21040510290	108275466	Gas Nozzle	1	250.00
23	21040510245	105021259	Plug lead	1	900.00
24	21040510295	E130403	Oxidation Set	1	9,000.00
25	20920510160	430300943	1.5" union (Imperial/Metric)	1	130.00

Notes: For complete ballast box, please order item 1, 18, 19, 23 together

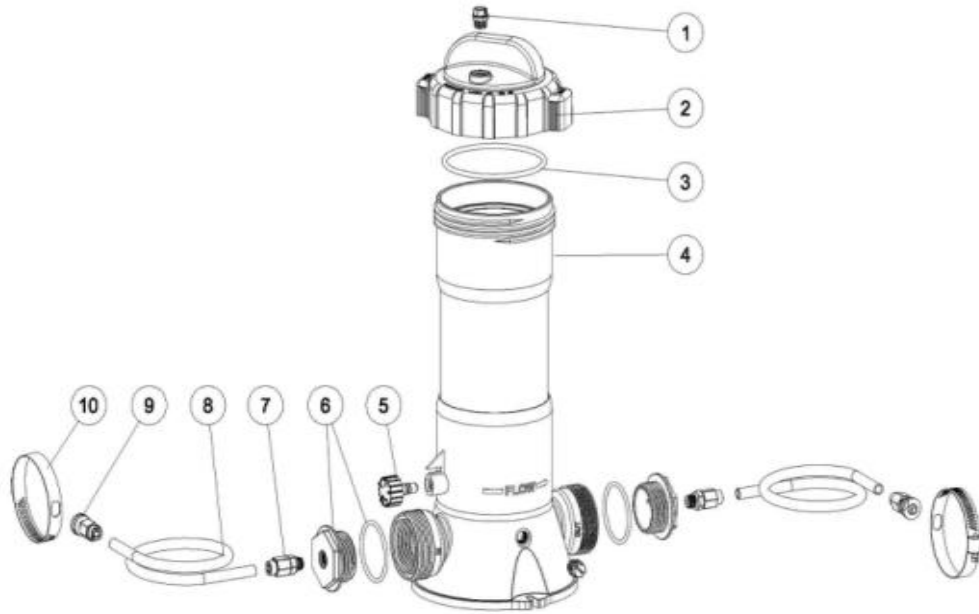


KEY NO.	POOLSPA CODES	PART NO.	DESCRIPTIONS	PIECE (S) REQUIRED	RETAIL PRICE 2022
1	21040510005	01014144	Screw Top	1	70.00
2	21040510010	02021075	Plug	1	250.00
3	21040510055	01014143	UV-C Lid	2	600.00
4	21040510050	02080008	O-Ring for Lid	2	600.00
5	21040510045	01020019	Nut for UV-C	2	250.00
6	21040510355	89042005	Air Release Valve	2	70.00
7	21040510565	E130341	House with Union and Box for FOS-UV-5T/7T	1	2,400.00
7	21040510570	E130342	House with Union and Box for FOS-UV-8T/14T	1	2,400.00
8	21040510575	E130343	Ballast 15W	1	3,800.00
8	21040510575	E130344	Ballast 25W/35W	1	4,600.00
8	21040510580	E130345	Ballast 55W	1	5,500.00
9	21040510140	E190201	2" Union With O-Ring	2	450.00
9	20920510160	430300943	1.5inch/GB50 pipe Union	2	110.00
10	21040510585	E130346	Fixed suite	2	900.00
11	21040510590	E130347	Lamp Holder suite with Four-wires cable	1	1,000.00
12	21040510595	02021076	Silicone round gasket	1	180.00
13	21040510600	01021136	Screw for UV-C Lamp	1	30.00
14	21040510605	E130339	Quartz Tube (for 15W/25W)	1	1,400.00
14	21040510610	E130340	Quartz Tube (for 30W/55W)	1	1,600.00
15	21040510615	E130324	UVC Lamp for FOS(15W)	1	4,700.00
15	21040510620	E130325	UVC Lamp for FOS(25W)	1	5,300.00
15	21040510625	E130326	UVC Lamp for FOS(30W)	1	5,900.00
15	21040510630	E130327	UVC Lamp for FOS(55W)	1	9,300.00
16	21040510395	04013158	Cable	1	470.00

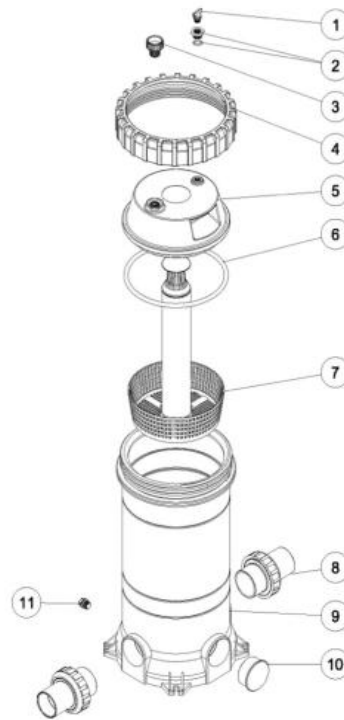
Note: From new version start from 2017



KEY NO.	POOLSPA CODES	PART NO.	DESCRIPTIONS	PIECE (S) REQUIRED	RETAIL PRICE 2022
1	21070510005	89440312	Air/ Water Release Valve with O-Ring	2	130.00
2	21070510010	89440204	Lid with Nut	1	600.00
3	21040510050	02080008	O-Ring for Lid	1	800.00
4	21070510015	89440205	CL-01A Feeder Body	1	2,200.00
4	21070510020	89440206	CL-02A Feeder Body	1	3,300.00
5	21070510025	89440202	Dial control valve with O-ring	1	130.00
6	21070510030	89440201	1.5"Union with Nut	2	600.00



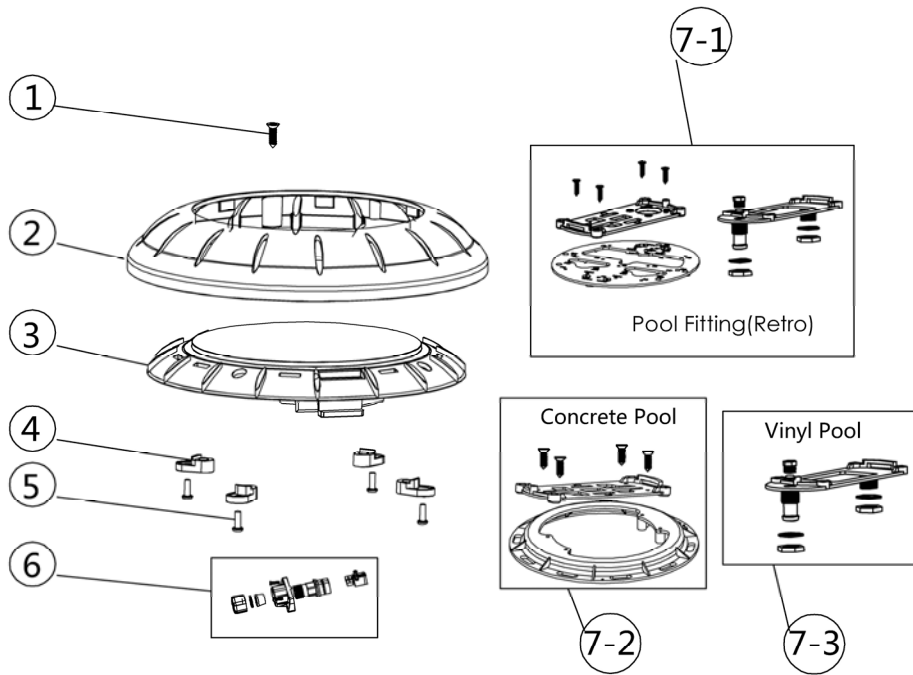
KEY NO.	POOLSPA CODES	PART NO.	DESCRIPTIONS	PIECE (S) REQUIRED	RETAIL PRICE 2022
1	21070510005	89440312	Air/ Water Release Valve with O-Ring	2	130.00
2	21070510010	89440204	Lid with Nut	1	800.00
3	21040510050	02080008	O-Ring for Lid	1	600.00
4	21070510015	89440205	CL-01A Feeder Body	1	2,200.00
4	21070510020	89440206	CL-02A Feeder Body	1	3,300.00
5	21070510025	89440202	Hose with O-Ring	1	130.00
6	21070510035	89440203	Threaded Plug	2	250.00
7	21070510040	89440208	Hose Connector	2	130.00
8	21070510045	01093017	2.5m Hose (O.D.Φ10)	1	380.00
9	21070510050	89440207	Saddle Fitting Adaptor	2	250.00
10	21070510055	03018153	Hose Clamp	2	380.00



KEY NO.	POOLSPA CODES	PART NO.	DESCRIPTIONS	PIECE (S) REQUIRED	RETAIL PRICE 2022
1	21070510060	89440309	Drain Plug with O-Ring	1	130.00
2	21070510065	89440313	Connector for Pressure Gauge/Stopper with O-Ring (Viton)	1	70.00
3	21070510070	E130306	Air Release Valve with O-Ring	1	250.00
4	20320510855	01021006	Ring Lock for Cartridge Filter	1	1,000.00
5	21070510075	01011020	Lid	1	1,500.00
6	21070510080	02080003	O-Ring for Lid	1	2,500.00
7	21070510085	89440301	CLL-50 Diffuser Assembly	1	1,800.00
7	21070510090	89440302	CLL-75 Diffuser Assembly	1	2,000.00
8	21070510095	89440311	1.5" Union	2	1,500.00
9	21070510100	89440303	CLL-50 Feeder Body	1	6,900.00
9	21070510105	89440304	CLL-75 Feeder Body	1	8,400.00
10	20320510940	01011015	Plug	1	130.00
11	21070510005	89440312	Air/Water Release Valve with O'Ring	1	130.00

Parts of E-Lumen Models: E-Lumen X

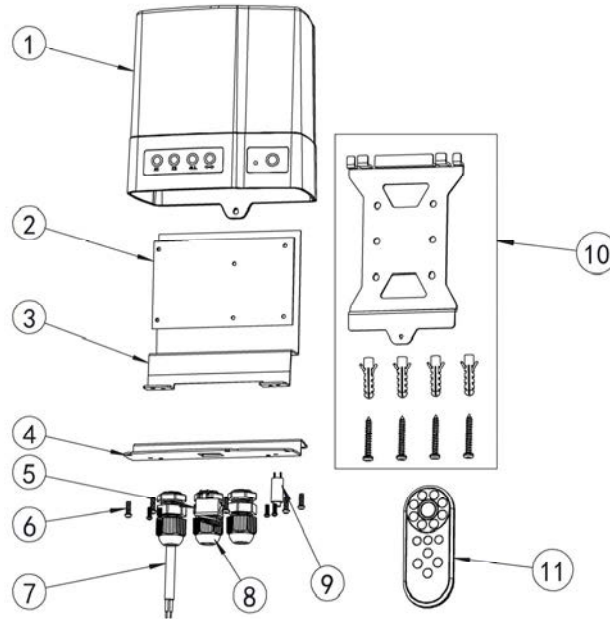
[Table of Content](#)



KEY NO.	POOLSPA CODES	PART NO.	DESCRIPTIONS	PIECE (S) REQUIRED	RETAIL PRICE 2022
1	21110510445	03011058	Screw M5*25(316)	1	60.00
2	21110510785	440256797W	White Plastic Lid	1	700.00
2	21110510790	440256797G	Gray Plastic Lid	1	700.00
2	21110510795	440256797B	Blue Plastic Lid	1	700.00
2	21110510800	440536797	Stainless Steel Lid	1	1,900.00
2	21110510835	440256797T	Transparent Face Ring	1	700.00
3	21110510805	E042601	20 LEDs Panel 25W Color	1	8,900.00
4	21110510810	440526797	Fastener	4	230.00
5	21110510160	03011364	M4*12 Flat head self-tapping screw	4	60.00
6	21110510815	E042602	Retro-fit Connector	1	1,000.00
6	21110510820	E042604	Connector (cable version, not include cable)	1	920.00
6	21110510825	105107163	Cable	1	1,000.00
7-1	21110510830	E042603	Retrofit Pool Fitting	1	1,000.00
7-2	21110510035	89040203	Fitting for concrete pool	1	600.00
7-3	21110510040	89045517	Fitting for vinyl pool	1	600.00

Parts of Models: 220V / 110V (50/60Hz)

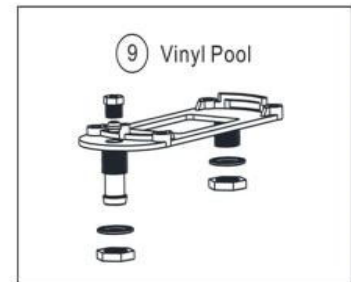
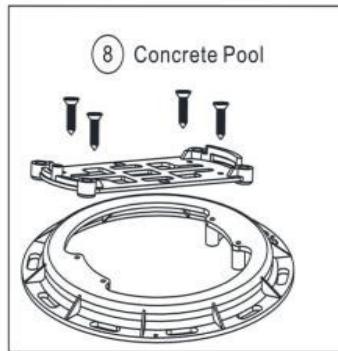
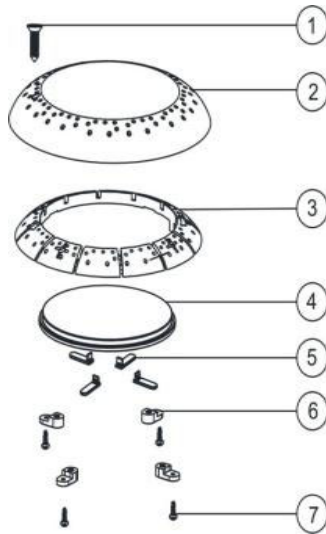
[Table of Content](#)



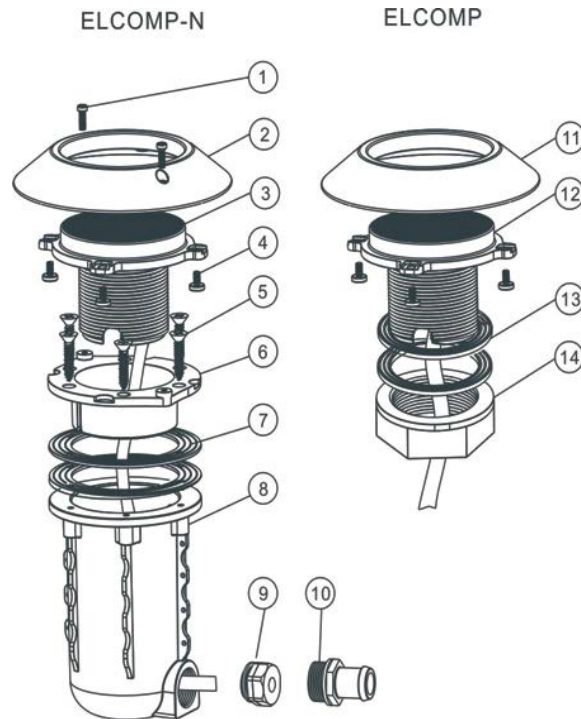
KEY NO.	POOLSPA CODES	PART NO.	DESCRIPTIONS	PIECE (S) REQUIRED	RETAIL PRICE 2022
1	21110510840	E111101	ColorTouch Control Box suite	1	5,400.00
2	21110510845	E111107	ColorTouch electronic board 220V suite	1	4,300.00
2	21110510850	E111108	ColorTouch electronic board 110V suite	1	4,300.00
3	21110510855	510106781	Internal Plate	1	500.00
4	21110510860	510116781	Bottom Plate	1	500.00
5	21110510865	106176996	Power Switch	1	700.00
6	21110510870	E111102	Screw Suite	1	700.00
7	21110510145	04013004	Two-Core cable for output	2	700.00
7	21110510875	105101306	Three-Core cable for input	1	800.00
8	20810510085	106231416	PG11 Cable Lock	1	700.00
9	21110510880	E111106	Switch for Learn Key	1	800.00
10	21110510885	E111103	Mounting Bracket Suite	1	900.00
11	21110510890	106697000	Remote(With Battery)	1	2,100.00

Parts of E-Lumen Models: E-Lumen252/ Elumen441/ E-Lumen531

[Back to Table of Content](#)



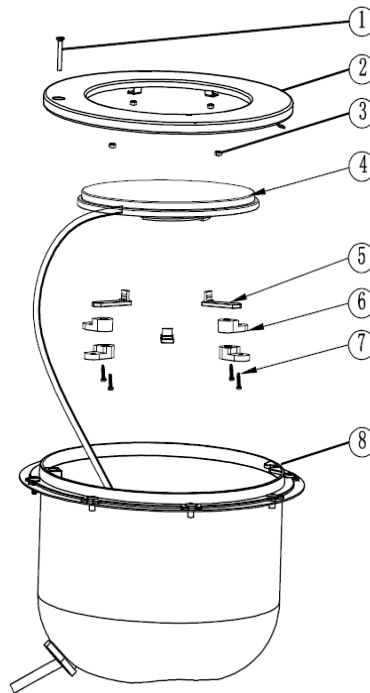
KEY NO.	POOLSPA CODES	PART NO.	DESCRIPTIONS	PIECE (S) REQUIRED	RETAIL PRICE 2022
1	21110510005	03011321	M5*20 Screw (316#)	1	70.00
2	21110510010	01040205	Transparent Face Plate	1	1,600.00
3	21110510015	01051256	Face Plate	1	1,000.00
4	21130510085	89045528	UltraThin LED Panel 20W/12V for 252 LED (Warm white)	1	4,900.00
4	21130510090	89045529	UltraThin LED Panel 20W/12V for 252 LED (Cool white)	1	4,900.00
4	21130510095	89045530	UltraThin LED Panel 20W/12V for 252 LED (RGB)	1	4,900.00
4	21100510435	89045531	UltraThin LED Panel 20W/12V for 252 LED (Single blue)	1	4,900.00
4	21130510100	89045522	UltraThin LED Panel 35W/12V for 441 LED (Warm white)	1	5,900.00
4	21130510105	89045513	UltraThin LED Panel 35W/12V for 441 LED (Cool white)	1	5,900.00
4	21130510110	89045514	UltraThin LED Panel 35W/12V for 441 LED (RGB)	1	5,900.00
4	21110510895	89045523	UltraThin LED Panel 35W/12V for 441 LED (Single blue)	1	5,900.00
4	21130510115	89045524	UltraThin LED Panel 50W/12V for 531 LED (Warn white)	1	6,900.00
4	21130510120	89045526	UltraThin LED Panel 50W/12V for 531 LED (Cool white)	1	6,900.00
4	21130510125	89045527	UltraThin LED Panel 50W/12V for 531 LED (RGB)	1	6,900.00
4	21110510900	89045525	UltraThin LED Panel 50W/12V for 531 LED (Single blue)	1	6,900.00
5	21110510020	01050100	Knot	4	250.00
6	21110510025	01110028	Pressing Fitting	1	130.00
7	21110510030	03011307	M4*12 Screw	4	70.00
8	21110510035	89040203	Fitting for Concrete Pool	1	700.00
9	21110510040	89045517	Fitting for Vinly Pool	1	600.00



KEY NO.	POOLSPA CODES	PART NO.	DESCRIPTIONS	PIECE (S) REQUIRED	RETAIL PRICE 2022
1	21110510045	03011338	M4*12 Round Head Tapping Screws for E-Lumen Compact-N	2	70.00
2	21110510050	01050126	Cover for E-Lumen Compact-N	1	400.00
3	21110510765	04011116	LED panel (99 Bulbs) (Cool White) for E-Lumen Compact-N	1	5,900.00
3	21110510770	04011117	LED panel (99 Bulbs) (Automatic Colour change) for E-Lumen Compact-N	1	5,900.00
3	21110510775	04011118	LED panel (99 Bulbs) (Warm White) for E-Lumen Compact-N	1	5,900.00
3	21110510780	04011119	LED panel (99 Bulbs) (Blue colour) for E-Lumen Compact-N	1	5,900.00
4	21110510055	03011354	M4*8 Screw	8	70.00
5	21110510060	03011341	M4*16 Screw for E-Lumen Compact-N	6	70.00
5	21110510065	03011160	M4*25 Screw for E-Lumen Compact-N	6	70.00
6	21110510070	01050143	Light Encasing for E-Lumen Compact-N	1	400.00
7	21110510075	02021089	Gasket for E-Lumen Compact-N	2	250.00
8	21110510080	01050133	Niche for E-Lumen Compact-N	1	1,000.00
9	21110510085	89041604	Water Joint Fittings for E-Lumen Compact-N & TL-1C	1	300.00
10	21110510090	01171106	Joint for Wire & Pipe	1	130.00
11	21110510095	01050134	Cover for E-Lumen Compact	1	400.00
12	21110510905	04011137	LED panel (99 Bulbs) (Cool White) for E-Lumen Compact	1	4,500.00
12	21110510910	04011138	LED panel (99 Bulbs) (Automatic Colour change) for E-Lumen Compact	1	4,500.00
12	21110510915	04011139	LED panel (99 Bulbs) (Warm White) for E-Lumen Compact	1	4,500.00
12	21110510920	04011140	LED panel (99 Bulbs) (Blue colour) for E-Lumen Compact	1	4,500.00
13	21110510100	02021091	Gasket for E-Lumen Compact	2	250.00
14	21110510105	01051141	Nut for E-Lumen Compact	1	250.00

Parts of E-Lumen Models: EL-S300

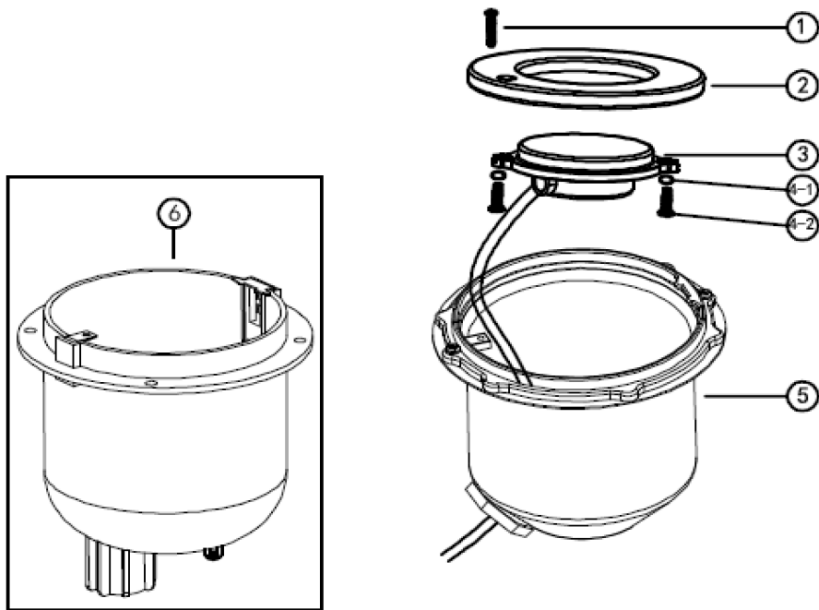
[Back to Table of Content](#)



KEY NO.	POOLSPA CODES	PART NO.	DESCRIPTIONS	PIECE (S) REQUIRED	RETAIL PRICE 2022
1	21110510445	03011058	Screw	1	50.00
2	21110510925	03017112	Face Ring Assembly (#304)	1	2,800.00
2	21110510930	03017116	Face Ring Assembly (#316)	1	2,990.00
3	21110510625	03013004	Hexagonal Nut (M4)	4	70.00
4	21130510085	89045528	UltraThin LED panel 20W/12V 252 leds warn white	1	4,900.00
4	21130510090	89045529	UltraThin LED panel 20W/12V 252 leds cool white	1	4,900.00
4	21130510095	89045530	UltraThin LED panel 20W/12V 252 leds RGB	1	4,900.00
4	21100510435	89045531	UltraThin LED panel 20W/12V 252 leds single blue	1	4,900.00
4	21130510100	89045522	UltraThin LED panel 35W/12V 441 leds warm white	1	5,900.00
4	21130510105	89045513	UltraThin LED panel 35W/12V 441 leds cool white	1	5,900.00
4	21130510110	89045514	UltraThin LED panel 35W/12V 441 leds RGB	1	5,900.00
4	21110510895	89045523	UltraThin LED panel 35W/12V 441 leds single blue	1	5,900.00
4	21130510115	89045524	UltraThin LED panel 50W/12V 531 leds warn white	1	6,900.00
4	21130510120	89045526	UltraThin LED panel 50W/12V 531 leds cool white	1	6,900.00
4	21130510125	89045527	UltraThin LED panel 50W/12V 531 leds RGB	1	6,900.00
4	21110510900	89045525	UltraThin LED panel 50W/12V 531 leds single blue	1	6,900.00
5	21110510020	01050100	Cable Clip	3	200.00
6	21110510025	01110028	Fastener	4	150.00
7	21110510805	03011348	Screw M4*22	4	150.00
8	21110510935	88043605	Stainless Steel Housing for S300	1	Refer to Price List

Parts of E-Lumen Models: EL-S100

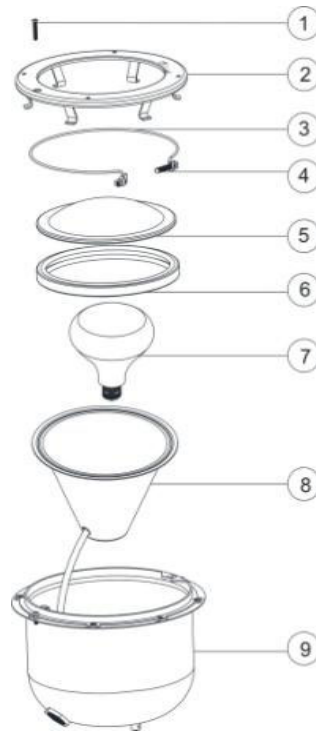
[Back to Table of Content](#)



KEY NO.	POOLSPA CODES	PART NO.	DESCRIPTIONS	PIECE (S) REQUIRED	RETAIL PRICE 2022
1	21110510445	03011058	φ3/16×9/8" Pilot Screw	1	80.00
2	21110510940	440256151	Face Ring Assembly for EL-S100 Lights	1	990.00
3	21110510945	440546196	Ultra-thin 99 LED panel 10W Warm White	1	3,900.00
3	21110510950	440546195	Ultra-thin 99 LED panel 10W Cool White	1	3,900.00
3	21110510955	440546197	Ultra-thin 99 LED panel 10W RGB	1	3,900.00
3	21110510960	440546198	Ultra-thin 99 LED panel 10W Single Blue	1	3,900.00
4-1	21110510965	03012004	Metallic Gasket M4	2	50.00
4-2	21110510970	112342644	M4x12 Screw	2	50.00
5	21110510975	88047302	Stainless Steel Housing	1	-
6		88043502	Plastic Housing	1	Refer to Price List

Parts of UL-S Models: UL & LED-S300/ UL & LED-S300-S

[Back to Table of Content](#)

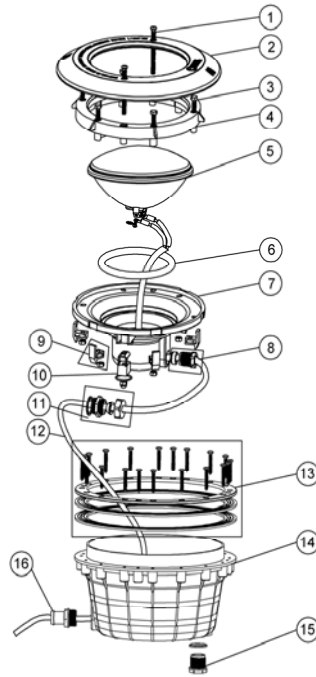


KEY NO.	POOLSPA CODES	PART NO.	DESCRIPTIONS	PIECE (S) REQUIRED	RETAIL PRICE 2022
1	21110510445	03011058	φ3/16"X 9/8" Pilot Screw	1	70.00
2	21110510450	03017021	Face Ring Assembly For UL-S300 Lights	1	2,300.00
3	21110510455	03017018	Wire With Nut For UL-S300 Lights	1	400.00
4	21110510460	03011134	M6*50 Bolt for Wire	1	150.00
5	21110510465	87012004	Lens For UL-S300 Lights	1	2,300.00
6	21110510470	02021019	Waterproof washer For UL-S300 Lights	1	800.00
7	21110510795	E041505	E27 Light bulb for S300/C300 (White)	1	900.00
7	21110510785	04011035	E27 252 LEDs bulb for S300/C300 (White)	1	6,900.00
7	21110510790	04011046	E27 252 LEDs bulb for S300/C300 (Auto Colour Change)	1	6,900.00
8	21110510475	89040701	Light Encasing with 2.5m cable For UL-S300	1	5,200.00
9	21110510935	88043605	Stainless Steel Lights Niche For UL-S300	1	6,000.00

Notes: UL-S300 is underwater light with stainless steel niche.
UL-S300L is underwater light only without any niche.

Parts of NP300 Models: NP300-P & NP300-S

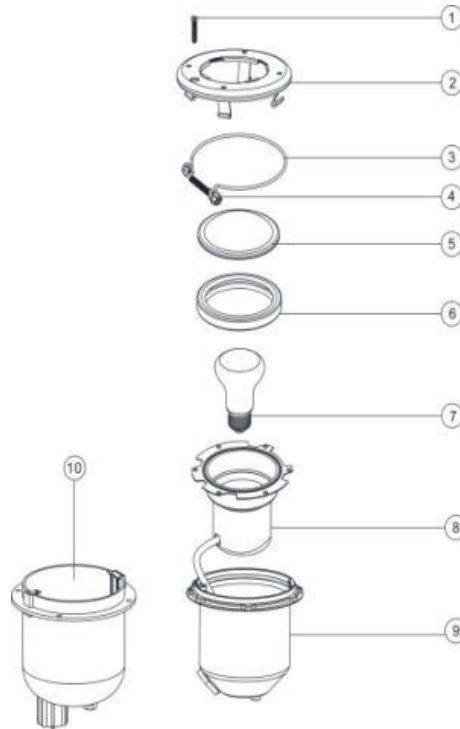
[Back to Table of Content](#)



KEY NO.	POOLSPA CODES	PART NO.	DESCRIPTIONS	PIECE (S) REQUIRED	RETAIL PRICE 2022
1	21110510185	03011189	M6*80 Screws	2	130.00
2	21110510190	01050025	Plastic Lid (Blank)	1	400.00
2	21110510195	01050008	Plastic Lid (EMAUX)	1	400.00
2	21110510200	89041609	Stainless Steel Lid (EMAUX)	1	1,700.00
2	21110510205	89041610	Stainless Steel Lid (Blank)	1	1,700.00
3	21110510210	03011184	M6*55 Hexagon Head Screws	6	250.00
4	21110510215	01100011	Face Ring	1	400.00
5	21130510005	04011004	PAR56 Light Bulb (Yellow Light) (Standard Bulb)	1	900.00
5	21110510725	08040026	Par56(144 LEDs,12V/10W,Auto RGB)	2	3,900.00
5	21110510715	08040025	Par56(144 LEDs,12V/10W,Cool White)	3	3,900.00
5	21130510075	08040024	Par56(252 LEDs,12V/16W,Auto RGB)	4	6,900.00
5	21130510080	08040022	Par56 252 LED Bulbs (White-Colour)	5	6,900.00
5	21110510710	08040023	Par56 252 LED Bulbs (With Remote Control)	6	6,900.00
6	21110510980	02010019	Waterproof O-Ring for Par56	7	300.00
7	21110510225	01230003	Waterproof Cover	1	800.00
8	21110510230	89041601	Waterproof O-Ring with Tooth Head for Cable	1	130.00
9	21110510235	89041602	Nut Fitting	6	130.00
10	21110510240	89041603	Fastening Dog	2	250.00
11	21110510085	89041604	Water Joint Fittings for Cable	1	250.00
12	21110510985	E040709	Two-Core Cable 2.5m(With wiring connector,For no remote version)	1	1,990.00
12	21110510990	E040405	Three-Core Cable 2.5m(With wiring connector,For remote version)	1	1,990.00
13	21110510250	89041608	Vinyl Pool fitting for NP300	1	920.00
14	21110510255	01050010	NP300 Lights Niche	1	920.00
15	21110510260	89041605	Plug with O-Ring	1	920.00
16	21110510090	01171106	Joint for wire & pipe	1	130.00

Parts of UL-S Models: UL-S100L / UL-S100P/ UL-S100S

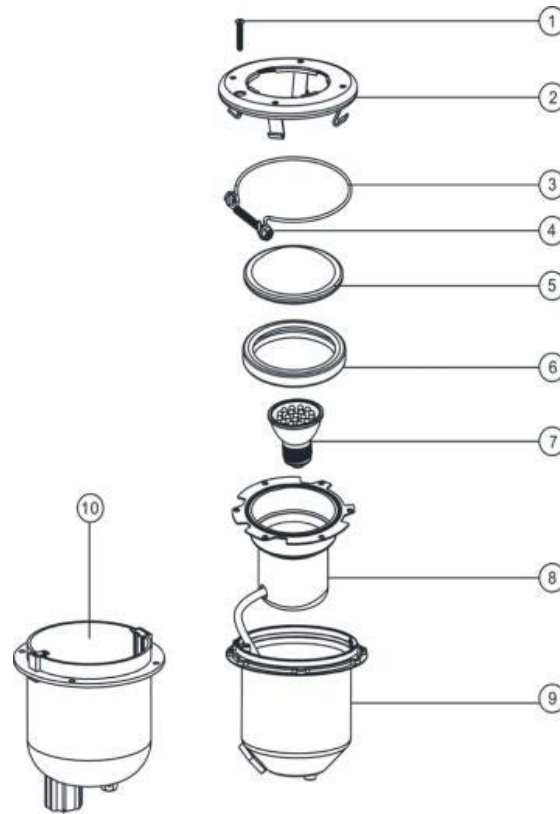
[Back to Table of Content](#)



KEY NO.	POOLSPA CODES	PART NO.	DESCRIPTIONS	PIECE (S) REQUIRED	RETAIL PRICE 2022
1	21110510445	03011058	φ3/16×9/8" Pilot Screw	1	70.00
2	21110510480	03017010	Face Ring Assembly for S100 Lights	1	1,500.00
3	21110510510	03017005	Wire with Nut for S100 Lights	1	250.00
4	21110510490	03011133	M6*40 Bolt for Wire	1	200.00
5	21110510495	87012003	Lens for S100 Lights	1	1,500.00
6	21110510500	02021016	Waterproof washer for S100 Lights	1	250.00
7	21110510995	E041411	E27 light bulb for S100 (100W/12V)	1	770.00
8	21110510505	89040702	Light Encasing with 2.5m cable	1	3,200.00
9*	21110511000	88043602	Stainless Steel Housing for S100	1	3,500.00
10*		88043502	Plastic Housing for S100	1	Refer to price list

Notes: 9 & 10* is Stainless steel light niches and plastic light niche but No niches for UL-S100L (88040702)

UL-S100L is lamp only without niche

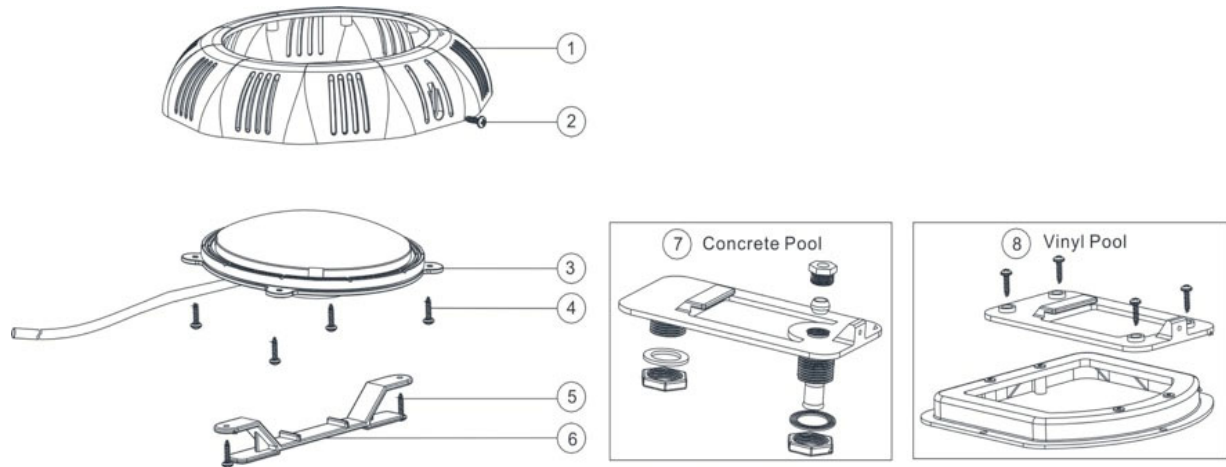


KEY NO.	POOLSPA CODES	PART NO.	DESCRIPTIONS	PIECE (S) REQUIRED	RETAIL PRICE 2022
1	21110510445	03011058	φ3/16×9/8" Pilot Screw	1	70.00
2	21110510480	03017010	Face Ring Assembly for S00 Lights	1	1,550.00
3	21110510510	03017005	Wire with Nut for S100 Lights	1	250.00
4	21110510490	03011133	M6*40 Bolt for Wire	1	130.00
5	21110510495	87012003	Lens for S100 Lights	1	1,550.00
6	21110510500	02021016	Waterproof washer for S100 Lights	1	250.00
7	21110511005	04011021	LED Bulb 12V/1W LED (White Colour)	1	1,000.00
7	21110511010	04011017	LED Bulb 12V/1W LED (Automatic Colour-changing)	1	1,000.00
7	21110511015	04011053	LED Bulb 12V/5W LED (White Colour)	1	4,900.00
7	21110511020	04011050	LED Bulb 12V/5W LED (Automatic Colour-changing)	1	5,200.00
8	21110510505	89040702	Light Encasing with 2.5m cable	1	3,200.00
9*	21110511000	88043602	Stainless Steel Housing for S100S	1	3,500.00
10*		88043502	Plastic Housing for S100	1	Refer to price list

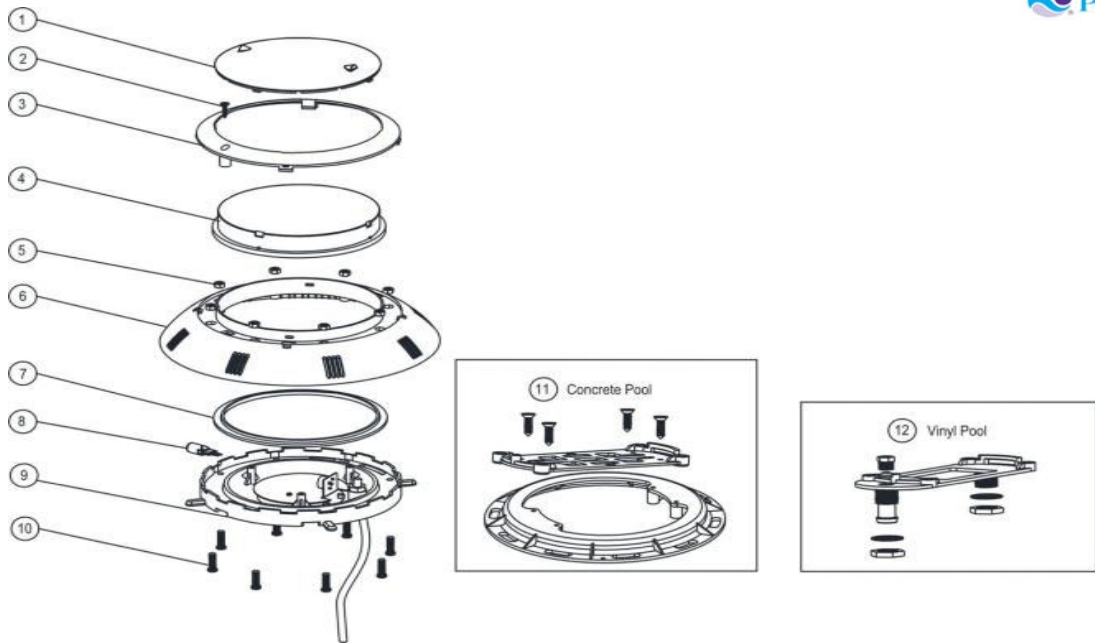
Notes: 9 & 10* No niches for LED-S100L (88042302)

Parts of LED-TP Models: LED-TP100 (Vinyl pool & Concrete Pool)

[Back to Table of Content](#)



KEY NO.	POOLSPA CODES	PART NO.	DESCRIPTIONS	PIECE (S) REQUIRED	RETAIL PRICE 2022
1	21110510155	01050119	Lights Face plate	1	600.00
2	21110510160	03011364	M4*12 Screw	1	70.00
3	21130510060	04011109	Bulb plate 12V/8W 198LEDs For white Colour Only	1	4,900.00
3	21130510055	04011110	Bulb plate 12V/8W 198LEDs For Colour-changing Only	1	4,900.00
3	21110511020	04011113	Bulb plate 12V/8W 198LEDs For Blue Colour Only	1	4,900.00
4	21110510160	03011364	M4*12 Screw	2	70.00
5	21110510165	01012005	UL/LED-TP100 Lights Bracket	1	70.00
6	21110510170	03011363	M4*16 Screw	2	70.00
7	21110510175	89040401	UL/LED-TP100 Lights Vinyl pool Fitting	1	400.00
8	21110510180	89040501	LED-TP100 Lights Concrete Pool Fitting	1	400.00

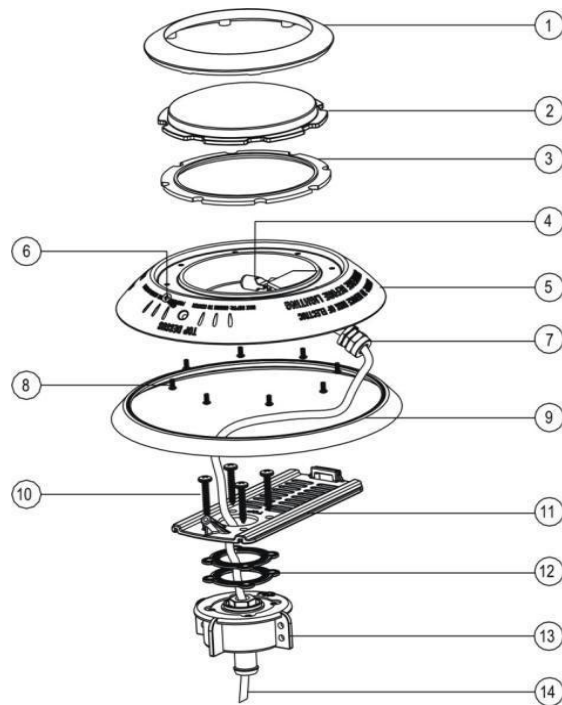
Parts of UL-P100 Models: UL-P100(V) & UL-P100(C)
[Back to Table of Content](#)


KEY NO.	POOLSPA CODES	PART NO.	DESCRIPTIONS	PIECE (S) REQUIRED	RETAIL PRICE 2022
1*	21110510730	01221002	Colour lens (Red+Green+Blue) for P100	1	130.00
2	21110510005	03011321	M5*20 Screw (316#)	1	70.00
3	21110510110	01051059	Face Ring	1	130.00
4	21110510115	01041021	P100 Lights Lens	1	700.00
5	21110510120	03021018	M6 Brass Nut	8	70.00
6	21110510125	01051058	P100 Lights Face plate	1	700.00
7	21110510130	02021004	O-ring	1	250.00
8	21130510025	E040205	Halogen light bulb (Yellow Light)	1	130.00
8	21130110010	G9 - 100	Halogen light bulb (100W/12V)	1	200.00
9	21110510135	89040201	P100 Lights Body set	1	2,600.00
10	21110510140	03011320	M6*20 Screw (316#)	8	70.00
11	21110510035	89040203	Concrete Pool Fitting for P100	1	700.00
12	21110510150	89044501	Vinyl Pool Fitting for P100	1	400.00

Notes: 1* 01221001 is UL-P100 Light Colour Lens 1 set with (Red+Green+Blue)

Parts of UL-NS Models: UL-NS75/ UL-NS150

[Back to Table of Content](#)

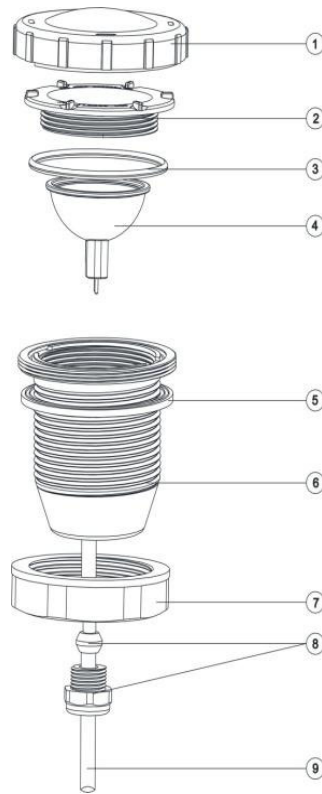


KEY NO.	POOLSPA CODES	PART NO.	DESCRIPTIONS	PIECE (S) REQUIRED	RETAIL PRICE 2022
1	21110510360	01051169	Face Ring for UL-NS75	1	250.00
1	21110510365	01051170	Face Ring for UL-NS150	1	400.00
2	21110510370	01041037	Lens for UL-NS75	1	920.00
2	21110510375	01040208	Lens for UL-NS150	1	1,800.00
3	21110510380	02021027	Waterproof Washer for UL-NS75	1	250.00
3	21110510385	02021062	Waterproof Washer for UL-NS150	1	250.00
4*	21130510030	04011073	Bulb 12V/ 75W for ULH/ UL-NS	1	150.00
5	21110510390	89043704	Stainless Steel Lights Face Plate for UL-NS75	1	2,300.00
5	21110510395	89043703	Stainless Steel Lights Face Plate for UL-NS150	1	3,800.00
6	21110510400	03011016	M5*15 Screw on Face Plate	1	70.00
7	21110510295	89043701	Water Joint Fittings for Cable	1	1,700.00
8	21110510405	03011127	M5*8 Screw for UL-NS75 &- NS150	-	70.00
9	21110510410	02021036	O-Ring for Face Plate (UL-NS75)	1	700.00
9	21110510415	02021028	O-Ring for Face Plate (UL-NS150)	1	800.00
10	21110510420	03011149	M6*40 Mounting screw	4	70.00
11	21110510425	01051171	Mounting Bracket for UL-NS75	1	250.00
11	21110510430	01051172	Mounting Bracket for UL-NS150	1	400.00
12	21110510435	02011158	Gasket	2	130.00
13	21110510440	89043702	Wall Bracket	1	600.00
14	21110510145	04013004	2.5M Cable	1	800.00

- Notes:
- 4* UL-NS75 should have 1pc of lamp
 - 4* UL-NS150 should have 2pcs of lamps
 - 8* UL-NS75 should have 8 pcs of M5*8 Screws
 - 8* UL-NS150 should have 10 pcs of M5*8 Screws

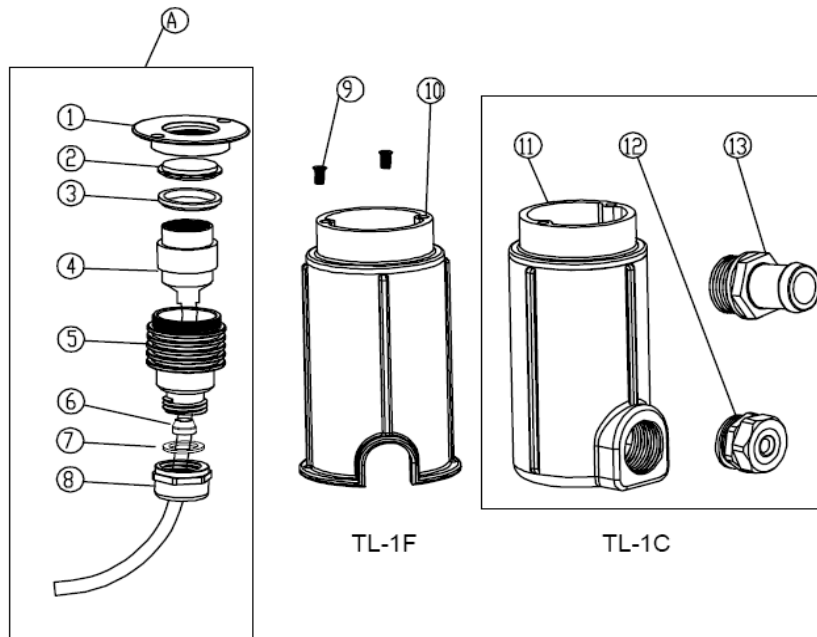
Parts of Plastic Spa Light Models: UL-P50 / LED-P50

[Back to Table of Content](#)

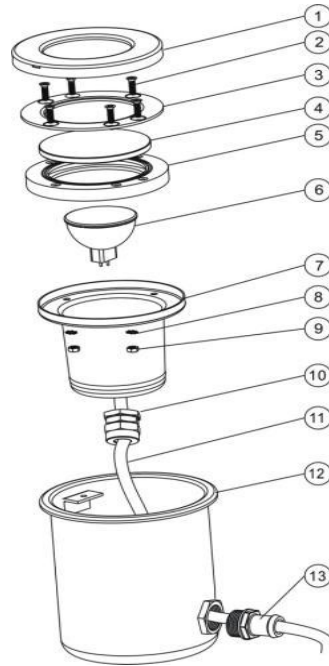


KEY NO.	POOLSPA CODES	PART NO.	DESCRIPTIONS	PIECE (S) REQUIRED	RETAIL PRICE 2022
1*	21110510515	01221001	P50 Light Colour Lens (Red+Green+Blue)	1	250.00
1*	21110510520	01221001C	UL-P50 Light Colour Lens (Clear)	1	130.00
2	21110510525	01041019	Inside Covers for P50 Lights	1	130.00
3	21110510530	02021010	O-Ring	1	70.00
4	21110511020	04011001	Halogen lamp MR16 AC 12V/20W for UL-P50	1	120.00
4	21110511025	04011016	LED-P50 lamp 12V/1W (Automatic Colour-Changing)	1	690.00
4	21110511030	04011015	LED-P50 lamp 12V/1W (White Colour Only)	1	690.00
5	21110510535	02021000	O-ring for Encasing	2	100.00
6	21110510540	89041101	P50 Lights Encasing Set	1	1,100.00
7	21110510545	01021007	Nut	1	100.00
8	21110510550	89041102	Connector with Gasket for Cable	1	50.00
9	21110510555	04013001	Lights Cable 1.5M for P50	1	500.00

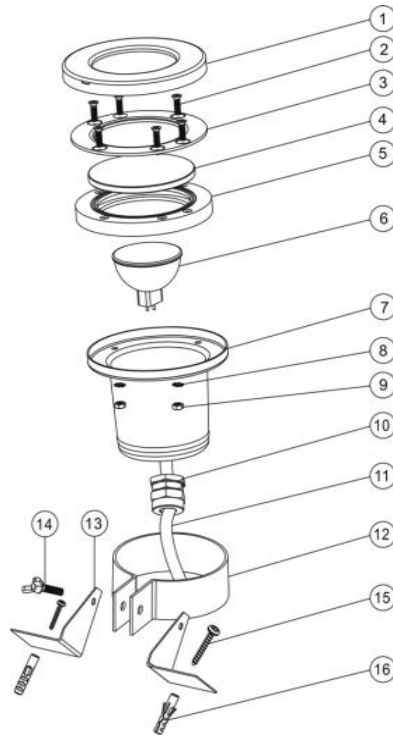
Notes: 1* 01221001 is UL-P50 Light Colour Len 1 set with (Red+Green+Blue) or 1* 01221001C is UL-P50 Light Colour Len with (Clear)



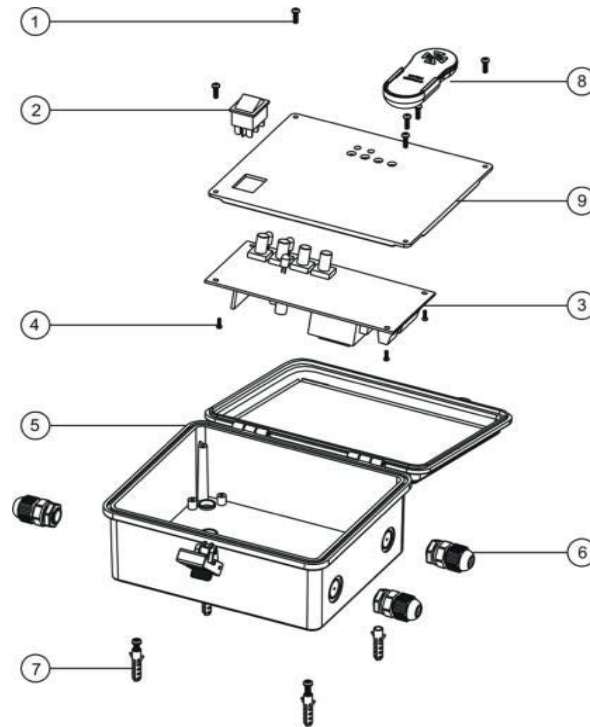
KEY NO.	POOLSPA CODES	PART NO.	DESCRIPTIONS	PIECE (S) REQUIRED	RETAIL PRICE 2022
1	21110510565	03017151	Cover	1	2,100.00
2	21110511035	01040217	Transparent lid	1	50.00
3	21110511040	02010268	Silicone Seal	1	50.00
4	21110511045	440546573	LED panel Suite(Cool White)	1	1,200.00
4	21110511050	440546574	LED panel Suite(Warm White)	1	1,200.00
5	21110511055	03017152	Stainless Steel Housing	1	1,700.00
6	21110511060	111040035	Round Silicone Rubber(Black)	1	50.00
7	21110511065	440616933	Plastic Gasket	1	30.00
8	21110511070	03017153	Nut	1	800.00
9	21110510560	03011386	hexagon socket head cap screw	2	70.00
10	21110510575	89045701	Light Shell for TL-1F	1	300.00
11	21110510580	89045802	Light Shell for TL-1C	1	300.00
12	21110510585	89045801	WaterProof for LT-1C	1	250.00
13	21110510090	01171106	Joint for Wire & Pipe	1	130.00
A	21110511075	E042004	LED Panel(Cool White,with stainless steel housing)	1	2,500.00
A	21110511080	E042005	LED Panel(Warm White,with stainless steel housing)	1	2,500.00



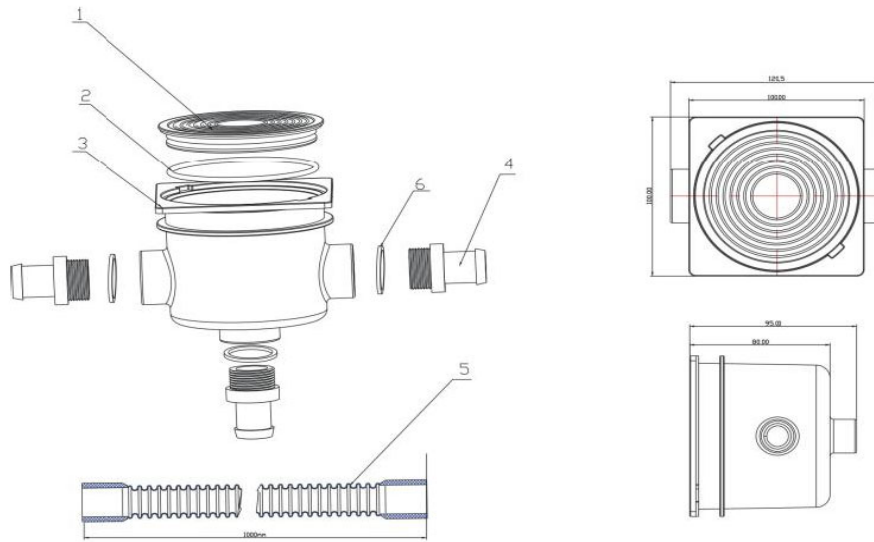
KEY NO.	POOLSPA CODES	PART NO.	DESCRIPTIONS	PIECE (S) REQUIRED	RETAIL PRICE 2022
1	21110510590	03017055	Face Plate	1	600.00
2	21110510595	03011168	M4*20 Screw	6	70.00
3	21110510600	03017054	Face Ring	1	600.00
4	21110510605	87012009	Lights Lens	1	600.00
5	21110510610	02021038	Waterproof Washer	1	400.00
6	21110511020	04011001	MR16 Halogen Lamp 12V/20W	1	120.00
6	21110511025	04011016	MR16 (18 Bulbs) LED 12V/1W Panel (Automatic Colour Change)	1	690.00
6	21110511030	04011015	MR16 (18 Bulbs) LED 12V/1W Panel (White-Colour)	1	690.00
7	21110510615	89042801	Light Encasing	1	1,900.00
8	21110510620	03012020	M4 Washer	4	70.00
9	21110510625	03013004	M4 Nut	4	70.00
10	21110510630	89044302	Waterproof Fittings for Cable	1	1,400.00
11	21110510145	04013004	2.5M Cable	1	800.00
12	21110510635	03017068	Light Shell (90mm)	1	2,400.00
12	21110510640	03017069	Light Shell (110mm)	1	2,900.00
13	21110510090	01171106	Joint for Wire & Pipe	1	130.00



KEY NO.	POOLSPA CODES	PART NO.	DESCRIPTIONS	PIECE (S) REQUIRED	RETAIL PRICE 2022
1	21110510590	03017055	Face Plate	1	600.00
2	21110510595	03011168	M4*20 Screw	4	70.00
3	21110510600	03017054	Face Ring	1	600.00
4	21110510605	87012009	Lights Lens	1	600.00
5	21110510610	02021038	Waterproof Washer	1	400.00
6	21110511020	04011001	MR16 Halogen Lamp 12V/20W	1	120.00
6	21110511025	04011016	MR16 (18 Bulbs) LED 12V/1W Panel (Automatic Colour Change)	1	690.00
6	21110511030	04011015	MR16 (18 Bulbs) LED 12V/1W Panel (White-Colour)	1	690.00
7	21110510645	89044301	Light Encasing	1	1,900.00
8	21110510620	03012020	M4 Washer	4	50.00
9	21110510625	03013004	M4 Nut	4	50.00
10	21110510630	89044302	Waterproof Fittings for Cable	1	1,200.00
11	21110510145	04013004	2.5M Cable	1	700.00
12	21110510650	03017056	S.S Hoop	1	300.00
13	21110510655	89044303	Body Stand	1	200.00
14	21110510660	03011087	M5 X 17 Star Screw	1	70.00
15	21110510665	03011023	M5*35 Round Head Tapping Screws for Vinyl Pool	2	70.00
16	21110510670	87013019	Plastic Wall Fitting for Screw	2	50.00



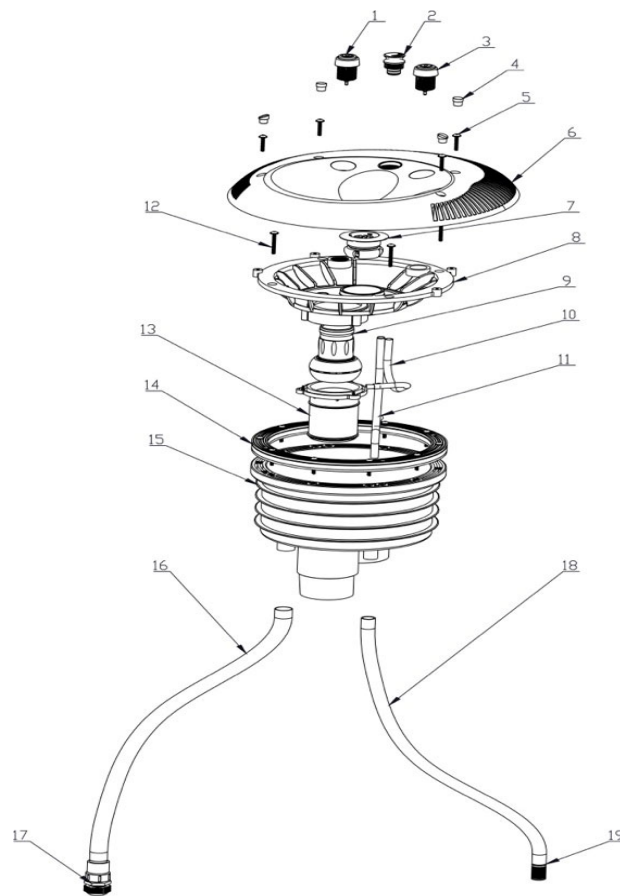
KEY NO.	POOLSPA CODES	PART NO.	DESCRIPTIONS	PIECE (S) REQUIRED	RETAIL PRICE 2022
1	20710511280	03011007	M4*12 Screw	4	70.00
2	21110510675	04014054	Light Switch	1	700.00
3	21110510680	04014090	Electronic Board (220V 50Hz/60Hz)	1	8,700.00
3	21110510685	04014114	Electronic Board (110V 60Hz)	1	10,000.00
4	21110510690	03011196	M3*6 Screw	4	70.00
5	21110510695	89480101	Control Box	1	11,300.00
6	20810510085	04014013	Cable Gland	3	800.00
7	21110510670	87013019	Plastic Wall Fitting for Screw	4	70.00
7	21110510665	03011023	M5*35 Screw	4	70.00
8	21120510005	04014089	Remote Control with Battery	1	3,200.00
9	21110510700	01360015	Panel board	1	1,200.00



KEY NO.	POOLSPA CODES	PART NO.	DESCRIPTIONS	PIECE (S) REQUIRED	RETAIL PRICE 2022
1	21910510420	570532988	Lid for the Junction Box	1	100.00
2	21910510425	02011046	O-ring for the Lid Junction Box	1	80.00
3	21910510430	01014088	Body for the Junction Box	1	250.00
4	21110510090	01171106	Joint for Wire & Pipe	3	100.00
5	21910510435	01301016	1m Hose	1	280.00
6	21910510440	02011050	O-ring	3	30.00

Parts of EM0055

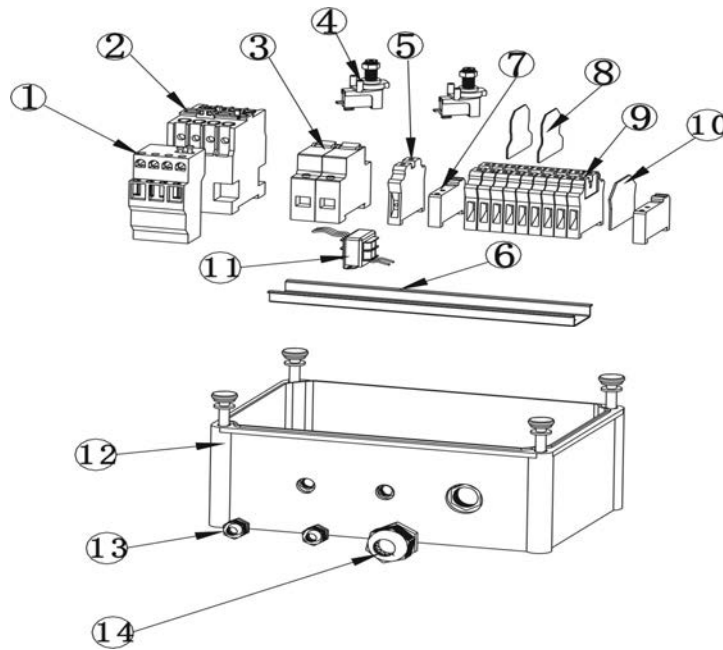
[Back to Table of Content](#)



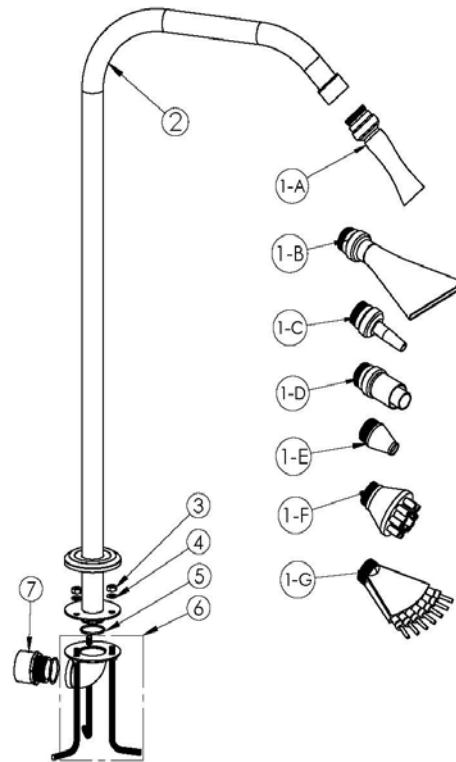
KEY NO.	POOLSPA CODES	PART NO.	DESCRIPTIONS	PIECE (S) REQUIRED	RETAIL PRICE 2022
1	21910510270	89090104	Air botton for water pump	1	250.00
2	21910510275	89090105	Air Adjusting	1	250.00
3	21910510280	89090106	Air Button for Water Light	1	130.00
4	21910510285	89090107	Threaded Plug for Lid	1	130.00
5	21910510290	03011345	M5*20mm Screws	4	70.00
6	21910510295	89090108	Lid	1	2,500.00
7	21910510300	88041939	LED spa light 1w, 12v RGB	1	1,700.00
7	21910510305	88041940	LED spa light 1w, 12v white	1	1,700.00
8	21910510310	89090110	Support Frame	1	2,100.00
9	21910510315	89090111	Water Jet	1	600.00
10	21910510320	01093016	D12mm x 8mm x 40mm Air Ajusting Hose	2	250.00
11	21910510325	01093015	D5mm x 3mm x 3M Transparent Hose	2	600.00
12	21110510140	03011320	M6 x 20 Screw (AISI316)	4	70.00
13	21910510330	89090112	Water Jet Fixed Pipe	1	600.00
14	21910510335	89090113	Vinyl Pool Fittings	1	2,800.00
15	21910510360	89090114	Swim Jet Body	1	4,700.00
16	21910510365	89090115	Conduit for Light Cable and Air Hose	1	600.00
17	21910510370	89090116	Cable Grand	1	250.00
18	21910510375	01151380	Exhaust Hose	1	600.00
19	21910510380	89090117	Venting Plug	1	600.00

Parts of RGB Models: SWJ-CB (220V / 380V)

[Back to Table of Content](#)



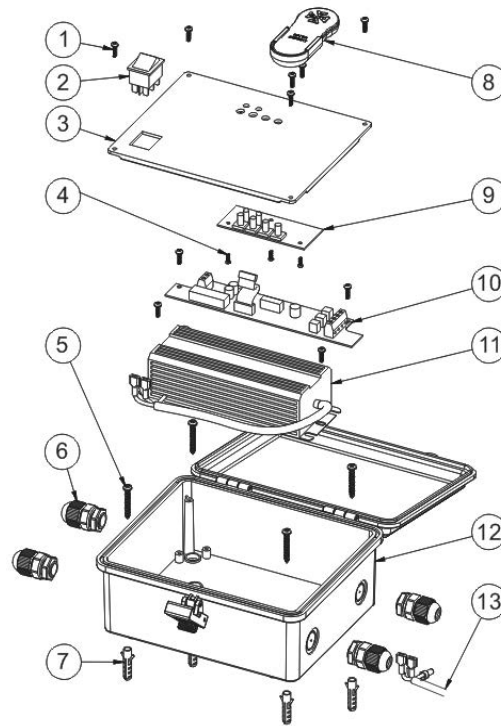
KEY NO.	POOLSPA CODES	PART NO.	DESCRIPTIONS	PIECE (S) REQUIRED	RETAIL PRICE 2022
1	21520510005	04014099	Thermal overload relay	1	2,500.00
2	21520510010	04014100	AC contactor	2	3,200.00
3	21520510015	04014101	Breaker	2	600.00
4	21520510020	04014103	Pneumatic switch	2	600.00
5	21520510025	04014102	Earth terminal	1	600.00
6	21520510030	04014019	Track	2	700.00
7	21520510035	04014104	Terminal fixing parts	3	130.00
8	21520510040	04014107	Clapboard	3	130.00
9	21520510045	04014108	Wiring terminal,for 220V	6	400.00
	21520510050	04014108	Wiring terminal,for 380V	9	400.00
10	21520510055	04014105	Head board	2	130.00
11	21520510060	04014109	Transformer	1	700.00
12	21520510065	04014110	Control box	1	6,300.00
13	20810510085	04014013	Cable gland	1	920.00



KEY NO.	POOLSPA CODES	PART NO.	DESCRIPTIONS	PIECE (S) REQUIRED	RETAIL PRICE 2022
1-A	21210510005	03025000	EM4401 Sprinkler head(⌀ 40X100 universal fan type)	1	3,300.00
1-B	21210510010	03025001	EM4402 Sprinkler head(⌀ 40X150 universal fan type)	1	6,800.00
1-C	21210510015	03025002	EM4403 Sprinkler head(⌀ 40 universal water hammer type)	1	2,200.00
1-D	21210510020	03025003	EM4404 Sprinkler head(⌀ 40 universal aerated type)	1	3,300.00
1-E	21210510025	03025004	EM4405 Sprinkler head(⌀ 40 water column type)	1	2,200.00
1-F	21210510030	03025005	EM4406 Sprinkler head(⌀ 40 Firefight type)	1	3,300.00
1-G	21210510035	03025006	EM4407 Sprinkler head(⌀ 40 anchovies type)	1	4,500.00
2	21210510040	03011378	Shower nozzle body	1	3,300.00
3	21210510045	03013023	M10 nut	3	180.00
4	21210510050	03012018	M10 washer	3	180.00
5	20650510135	02020013	Silicone O-ring gasket	2	180.00
6	21210510055	03010913	Flange Stand	1	3,300.00
7	21210510060	430251840	GB50 Male Threaded Adaptor	1	350.00
7	21210510065	430251669	1.5" Imperial Threaded Adaptor	1	350.00

Parts WTD-CB

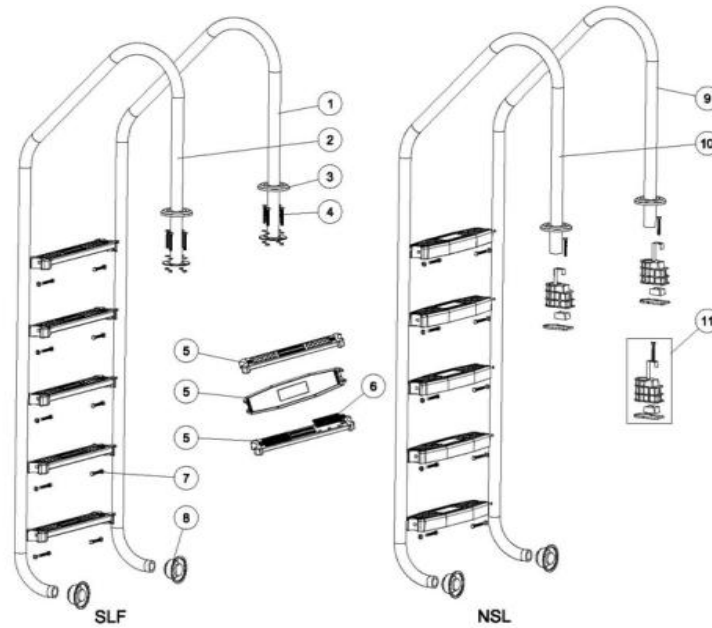
[Back to Table of Content](#)



KEY NO.	POOLSPA CODES	PART NO.	DESCRIPTIONS	PIECE (S) REQUIRED	RETAIL PRICE 2022
1	20710511280	03011007	M4×12 Screws,4 Screws for Panel Board,2 Screws for Transformer,2 Screws for Control Panel.	8	60.00
2	21110510675	04014054	Lighted Switch	1	700.00
3	21110510700	01360015	Panel Board	1	1,000.00
4	21110510690	03011196	M3×6 Screws,3 Screws for Control Panel Cover,2 Screws for Remote	5	60.00
5	21110510665	03011023	M5×35 Screws	4	60.00
6	20810510085	04014013	Cable Gland	4	920.00
7	21110510670	87013019	Plastic Fitting	4	60.00
8	21520510075	E110401	Remote control with Battery	1	1,900.00
9	21520510080	04014094	Control Panel Cover	1	1,400.00
10	21520510085	04014095	Control Panel	1	1,400.00
11	21520510090	04012082	Transformer with Wiring Cap	1	3,200.00
12	21110510695	89480101	Control Box	1	3,200.00
13	21520510095	89480102	Cable with Wiring Cap	1	700.00

Parts of SL Series Ladder Models: NSL & SLF

[Back to Table of Content](#)



KEY NO.	POOLSPA CODES	PART NO.	DESCRIPTIONS	PIECE (S) REQUIRED	RETAIL PRICE 2022
1	21830510005	03016145	Ladders Left Hand-Side (AISI304) for SLF215 (Flange)	1	6,500.00
1	21830510010	03016146	Ladders Left Hand-Side (AISI304) for SLF315 (Flange)	1	7,000.00
1	21830510015	03016147	Ladders Left Hand-Side (AISI304) for SLF415 (Flange)	1	7,600.00
1	21830510020	03016148	Ladders Left Hand-Side (AISI304) for SLF515 (Flange)	1	8,200.00
1	21830510025	03016196	Ladders Left Hand-Side (AISI316) for SLF215 (Flange)	1	10,250.00
1	21830510030	03016197	Ladders Left Hand-Side (AISI316) for SLF315 (Flange)	1	11,200.00
1	21830510035	03016198	Ladders Left Hand-Side (AISI316) for SLF415 (Flange)	1	12,200.00
1	21830510040	03016199	Ladders Left Hand-Side (AISI316) for SLF515 (Flange)	1	13,300.00
2	21830510045	03016149	Ladders Right Hand-Side (AISI304) for SLF215 (Flange)	1	6,500.00
2	21830510050	03016150	Ladders Right Hand-Side (AISI304) for SLF315 (Flange)	1	7,000.00
2	21830510055	03016151	Ladders Right Hand-Side (AISI304) for SLF415 (Flange)	1	7,600.00
2	21830510060	03016152	Ladders Right Hand-Side (AISI304) for SLF515 (Flange)	1	8,200.00
2	21830510065	03016200	Ladders Right Hand-Side (AISI316) for SLF215 (Flange)	1	10,300.00
2	21830510070	03016201	Ladders Right Hand-Side (AISI316) for SLF315 (Flange)	1	11,200.00
2	21830510075	03016202	Ladders Right Hand-Side (AISI316) for SLF415 (Flange)	1	12,200.00
2	21830510080	03016203	Ladders Right Hand-Side (AISI316) for SLF515 (Flange)	1	13,300.00
3	21830510085	03016046	Cover	2	600.00
4	21830510090	89071801	M8*50 Screw with Washer & Nut for Flange	8	250.00
5*	21830510095	89070102	Ladders Stainless Steel Step (AISI304)	*	2,200.00
5*	21830510100	89070105	Ladders Stainless Steel Step (AISI316)	*	2,700.00
5*	21830510105	01051173	Ladders Plastic Step	*	1,200.00
5*	21830510300	89070107	Ladders Stainless Steel Step (AISI316) with Anti-Slippery Pad	*	3,200.00
5*	21830510110	89070108	Ladders Stainless Steel Step (AISI304) with Anti-Slippery Pad	*	1,600.00
6	21830510115	02141006	Anti-Slippery Pad	*	130.00
7	21830510120	112000069	M8*35 Screw with Washer for Step (AISI304)	*	130.00
7	21830510125	112010126	M8*35 Screw with Washer for Step (AISI316)	*	400.00
8	21830510130	89070104	Cap	2	250.00
9	21830510135	03016069	Ladders Left Hand-Side (AISI304) for SL215	1	6,200.00
9	21830510140	03016070	Ladders Left Hand-Side (AISI304) for SL315	1	6,400.00
9	21830510145	03016071	Ladders Left Hand-Side (AISI304) for SL415	1	7,500.00
9	21830510150	03016072	Ladders Left Hand-Side (AISI304) for SL515	1	8,200.00
9	21830510155	03016088	Ladders Left Hand-Side (AISI316) for SL215	1	7,700.00
9	21830510160	03016089	Ladders Left Hand-Side (AISI316) for SL315	1	6,000.00
9	21830510165	03016090	Ladders Left Hand-Side (AISI316) for SL415	1	6,500.00
9	21830510170	03016091	Ladders Left Hand-Side (AISI316) for SL515	1	7,100.00
10	21830510175	03016073	Ladders Right Hand-Side (AISI304) for SL215	1	6,200.00
10	21830510180	03016074	Ladders Right Hand-Side (AISI304) for SL315	1	6,900.00
10	21830510185	03016075	Ladders Right Hand-Side (AISI304) for SL415	1	7,500.00

10	21830510190	03016076	Ladders Right Hand-Side (AISI304) for SL515	1	8,200.00
10	21830510195	03016092	Ladders Right Hand-Side (AISI316) for SL215	1	7,700.00
10	21830510200	03016093	Ladders Right Hand-Side (AISI316) for SL315	1	9,150.00
10	21830510205	03016094	Ladders Right Hand-Side (AISI316) for SL415	1	9,800.00
10	21830510210	03016095	Ladders Right Hand-Side (AISI316) for SL515	1	10,700.00
11	21830510215	89070101	Anchor Type Fittings (Concrete Pool)	2	700.00

Notes:

NSL&SLF 215-S need 2pcs of Ladder Stainless Steel Step and 4pcs of M8*35 Screw with Washer for Step (AISI304 or AISI316)

NSL&SLF 315-S need 3pcs of Ladder Stainless Steel Step and 6pcs of M8*35 Screw with Washer for Step (AISI304 or AISI316)

NSL&SLF 415-S need 4pcs of Ladder Stainless Steel Step and 8pcs of M8*35 Screw with Washer for Step (AISI304 or AISI316)

NSL&SLF 515-S need 5pcs of Ladder Stainless Steel Step and 10pcs of M8*35 Screw with Washer for Step (AISI304 or AISI316)

NSL&SLF 815-S need 8pcs of Ladder Stainless Steel Step and 16pcs of M8*35 Screw with Washer for Step (AISI304 or AISI316)

NSL&SLF 215-SR need 2pcs of Ladder Stainless Steel Step with Anti-Slippery Pad and 4pcs of Anti-Slippery Pad and 4pcs of M8*35 Screw with Washer for Step (AISI304 or AISI316)

NSL&SLF 315-SR need 3pcs of Ladder Stainless Steel Step with Anti-Slippery Pad and and 6pcs of Anti-Slippery Pad and 6pcs of M8*35 Screw with Washer for Step (AISI304 or AISI316)

NSL&SLF 415-SR need 4pcs of Ladder Stainless Steel Step with Anti-Slippery Pad and and 8pcs of Anti-Slippery Pad and 8pcs of M8*35 Screw with Washer for Step (AISI304 or AISI316)

NSL&SLF 515-SR need 5pcs of Ladder Stainless Steel Step with Anti-Slippery Pad and and 10pcs of Anti-Slippery Pad and 10pcs of M8*35 Screw with Washer for Step (AISI304 or AISI316)

NSL&SLF 815-SR need 8pcs of Ladder Stainless Steel Step with Anti-Slippery Pad and and 16pcs of Anti-Slippery Pad and 16pcs of M8*35 Screw with Washer for Step (AISI304 or AISI316)

NSL&SLF 215-P need 2pcs of Ladder Plastic Step and 4pcs of M8*35 Screw with Washer for Step (AISI304 or AISI316)

NSL&SLF 315-P need 3pcs of Ladder Plastic Step and 6pcs of M8*35 Screw with Washer for Step (AISI304 or AISI316)

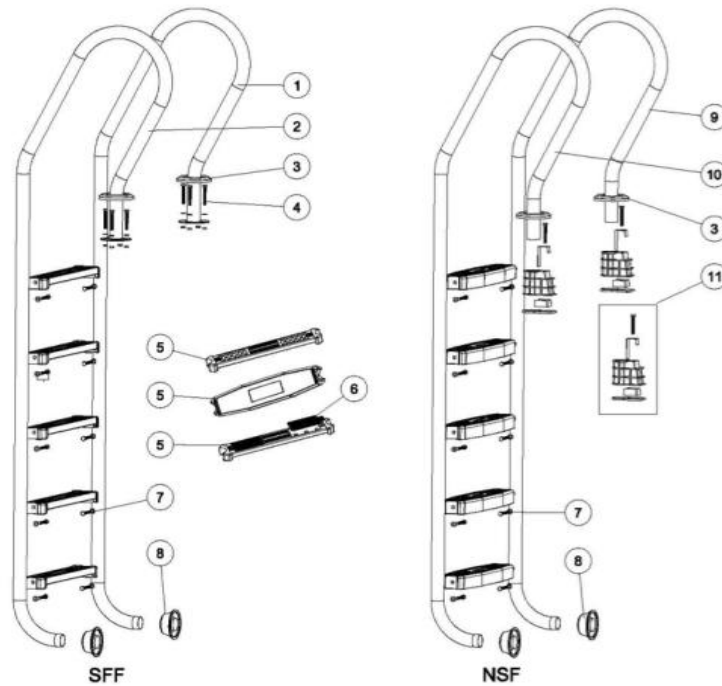
NSL&SLF 415-P need 4pcs of Ladder Plastic Step and 8pcs of M8*35 Screw with Washer for Step (AISI304 or AISI316)

NSL&SLF 515-P need 5pcs of Ladder Plastic Step and 10pcs of M8*35 Screw with Washer for Step (AISI304 or AISI316)

NSL&SLF 815-P need 8pcs of Ladder Plastic Step and 16pcs of M8*35 Screw with Washer for Step (AISI304 or AISI316)

Parts of SF Series Ladder Models: NSF & SFF

[Back to Table of Content](#)



KEY NO.	POOLSPA CODES	PART NO.	DESCRIPTIONS	PIECE (S) REQUIRED	RETAIL PRICE 2022
1	21830510220	03016093	Ladders Left Hand-Side (AISI304) for SFF215 (Flange)	1	9,100.00
1	21830510225	03016094	Ladders Left Hand-Side (AISI304) for SFF315 (Flange)	1	9,800.00
1	21830510230	03016095	Ladders Left Hand-Side (AISI304) for SFF415 (Flange)	1	10,700.00
1	21830510235	03016096	Ladders Left Hand-Side (AISI304) for SFF515 (Flange)	1	11,300.00
1	21830510240	03016212	Ladders Left Hand-Side (AISI316) for SFF215 (Flange)	1	9,800.00
1	21830510245	03016213	Ladders Left Hand-Side (AISI316) for SFF315 (Flange)	1	10,800.00
1	21830510250	03016214	Ladders Left Hand-Side (AISI316) for SFF415 (Flange)	1	11,850.00
1	21830510255	03016215	Ladders Left Hand-Side (AISI316) for SFF515 (Flange)	1	12,900.00
2	21830510260	03016097	Ladders Right Hand-Side (AISI304) for SFF215 (Flange)	1	9,100.00
2	21830510265	03016098	Ladders Right Hand-Side (AISI304) for SFF215 (Flange)	1	9,800.00
2	21830510270	03016099	Ladders Right Hand-Side (AISI304) for SFF415 (Flange)	1	10,700.00
2	21830510275	03016136	Ladders Right Hand-Side (AISI304) for SFF515 (Flange)	1	8,400.00
2	21830510280	03016216	Ladders Right Hand-Side (AISI316) for SFF215 (Flange)	1	9,800.00
2	21830510285	03016217	Ladders Right Hand-Side (AISI316) for SFF215 (Flange)	1	10,800.00
2	21830510290	03016218	Ladders Right Hand-Side (AISI316) for SFF415 (Flange)	1	11,850.00
2	21830510295	03016219	Ladders Right Hand-Side (AISI316) for SFF515 (Flange)	1	12,900.00
3	21830510085	03016046	Cover	2	600.00
4	21830510090	89071801	M8*50 Screw with Washer & Nut for Flange	8	250.00
5*	21830510095	89070102	Ladders Stainless Steel Step (AISI304)	*	2,200.00
5*	21830510100	89070105	Ladders Stainless Steel Step (AISI316)	*	2,800.00
5*	21830510105	01051173	Ladders Plastic Step	*	1,200.00
5*	21830510300	89070107	Ladders Stainless Steel Step (AISI316) with Anti-Slippery Pad	*	3,200.00
5*	21830510110	89070108	Ladders Stainless Steel Step (AISI304) with Anti-Slippery Pad	*	1,600.00
6	21830510115	02141006	Anti-Slippery Pad	*	130.00
7	21830510120	112000069	M8*35 Screw with Washer for Step (AISI304)	*	130.00
7	21830510125	112010126	M8*35 Screw with Washer for Step (AISI316)	*	400.00
8	21830510130	89070104	Cap	2	250.00
9	21830510305	03016077	Ladders Left Hand-Side (AISI304) for SF215	1	6,200.00
9	21830510310	03016078	Ladders Left Hand-Side (AISI304) for SF315	1	6,900.00
9	21830510315	03016079	Ladders Left Hand-Side (AISI304) for SF415	1	7,500.00
9	21830510320	03016080	Ladders Left Hand-Side (AISI304) for SF515	1	8,200.00
9	21830510325	03016180	Ladders Left Hand-Side (AISI316) for SF215	1	9,800.00
9	21830510330	03016181	Ladders Left Hand-Side (AISI316) for SF315	1	10,800.00
9	21830510335	03016182	Ladders Left Hand-Side (AISI316) for SF415	1	11,850.00
9	21830510340	03016183	Ladders Left Hand-Side (AISI316) for SF515	1	13,000.00
10	21830510345	03016081	Ladders Right Hand-Side (AISI304) for SF215	1	6,200.00
10	21830510350	03016082	Ladders Right Hand-Side (AISI304) for SF315	1	6,900.00
10	21830510355	03016083	Ladders Right Hand-Side (AISI304) for SF415	1	7,500.00

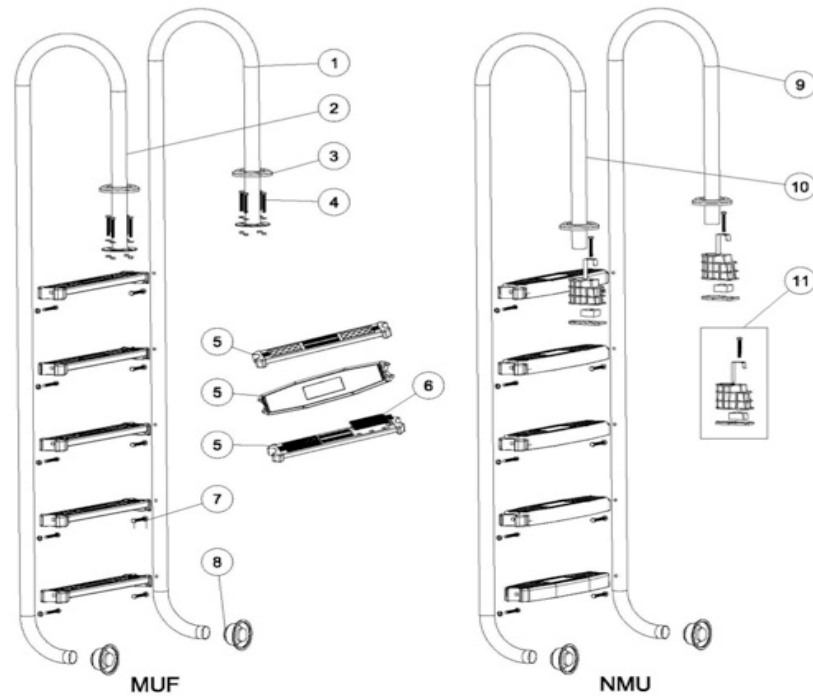
10	21830510360	03016084	Ladders Right Hand-Side (AISI304) for SF515	1	8,200.00
10	21830510365	03016184	Ladders Right Hand-Side (AISI316) for SF215	1	9,800.00
10	21830510370	03016185	Ladders Right Hand-Side (AISI316) for SF315	1	10,800.00
10	21830510375	03016186	Ladders Right Hand-Side (AISI316) for SF415	1	11,850.00
10	21830510380	03016187	Ladders Right Hand-Side (AISI316) for SF515	1	12,900.00
11	21830510215	89070101	Anchor Type Fittings (Concrete Pool)	2	700.00

Notes:

- NSF&SFF 215-S need 2pcs of Ladder Stainless Steel step and 4pcs of M8*35 Screw with Washer for Step (AISI304 or AISI316)
- NSF&SFF 315-S need 3pcs of Ladder Stainless Steel step and 6pcs of M8*35 Screw with Washer for Step (AISI304 or AISI316)
- NSF&SFF 415-S need 4pcs of Ladder Stainless Steel step and 8pcs of M8*35 Screw with Washer for Step (AISI304 or AISI316)
- NSF&SFF 515-S need 5pcs of Ladder Stainless Steel step and 10pcs of M8*35 Screw with Washer for Step (AISI304 or AISI316)
- NSF&SFF 215-SR need 2pcs of Ladder Stainless Steel Step with Anti-Slippery Pad and 4pcs of Anti-Slippery Pad and 4pcs of M8*35 Screw with Washer for Step (AISI304 or AISI316)
- NSF&SFF 315-SR need 3pcs of Ladder Stainless Steel Step with Anti-Slippery Pad and 6pcs of Anti-Slippery Pad and 6pcs of M8*35 Screw with Washer for Step (AISI304 or AISI316)
- NSF&SFF 415-SR need 4pcs of Ladder Stainless Steel Step with Anti-Slippery Pad and 8pcs of Anti-Slippery Pad and 8pcs of M8*35 Screw with Washer for Step (AISI304 or AISI316)
- NSF&SFF 515-SR need 5pcs of Ladder Stainless Steel Step with Anti-Slippery Pad and 10pcs of Anti-Slippery Pad and 10pcs of M8*35 Screw with Washer for Step (AISI304 or AISI316)
- NSF&SFF 215-P need 2pcs of Ladder Plastic Step and 4pcs of M8*35 Screw with Washer for Step (AISI304 or AISI316)
- NSF&SFF 315-P need 3pcs of Ladder Plastic Step and 6pcs of M8*35 Screw with Washer for Step (AISI304 or AISI316)
- NSF&SFF 415-P need 4pcs of Ladder Plastic Step and 8pcs of M8*35 Screw with Washer for Step (AISI304 or AISI316)
- NSF&SFF 515-P need 5pcs of Ladder Plastic Step and 10pcs of M8*35 Screw with Washer for Step (AISI304 or AISI316)

Parts of MU Series Ladder Models: NMU & MUF

[Back to Table of Content](#)

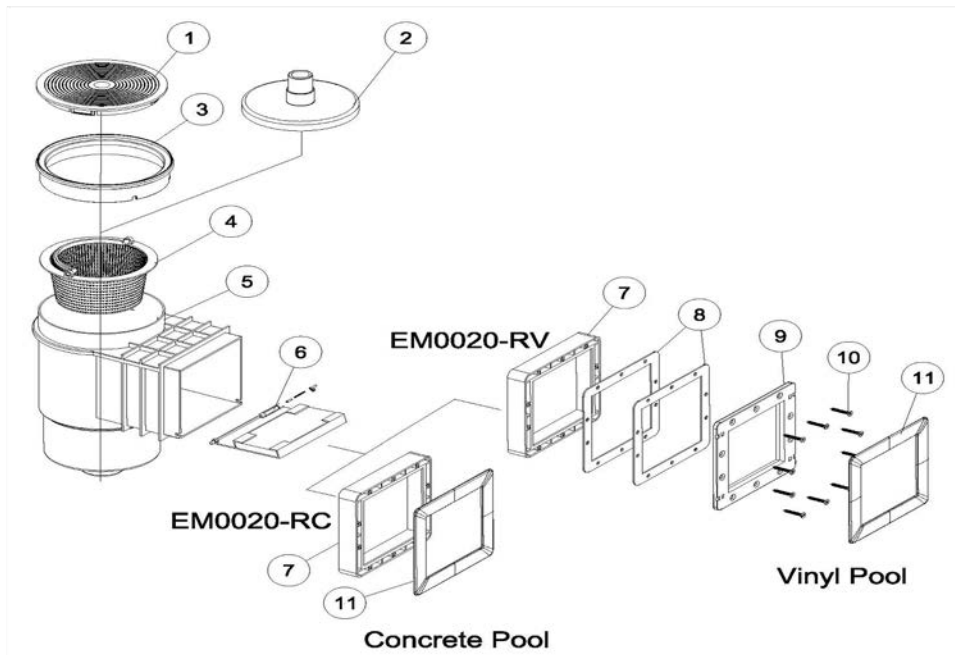


KEY NO.	POOLSPA CODES	PART NO.	DESCRIPTIONS	PIECE (S) REQUIRED	RETAIL PRICE 2022
1	21830510385	03016137	Ladders Left Hand-Side (AISI304) for MUF215 (Flange)	1	5,900.00
1	21830510390	03016138	Ladders Left Hand-Side (AISI304) for MUF315 (Flange)	1	6,500.00
1	21830510395	03016139	Ladders Left Hand-Side (AISI304) for MUF415 (Flange)	1	7,100.00
1	21830510400	03016140	Ladders Left Hand-Side (AISI304) for MUF515 (Flange)	1	7,700.00
1	21830510405	03016204	Ladders Left Hand-Side (AISI316) for MUF215 (Flange)	1	9,400.00
1	21830510410	03016205	Ladders Left Hand-Side (AISI316) for MUF315 (Flange)	1	10,900.00
1	21830510415	03016206	Ladders Left Hand-Side (AISI316) for MUF415 (Flange)	1	11,400.00
1	21830510420	03016207	Ladders Left Hand-Side (AISI316) for MUF515 (Flange)	1	12,300.00
2	21830510425	03016141	Ladders Right Hand-Side (AISI304) for MUF215 (Flange)	1	5,900.00
2	21830510430	03016142	Ladders Right Hand-Side (AISI304) for MUF315 (Flange)	1	6,400.00
2	21830510435	03016143	Ladders Right Hand-Side (AISI304) for MUF415 (Flange)	1	7,100.00
2	21830510440	03016144	Ladders Right Hand-Side (AISI304) for MUF515 (Flange)	1	7,700.00
2	21830510445	03016208	Ladders Right Hand-Side (AISI316) for MUF215 (Flange)	1	9,400.00
2	21830510450	03016209	Ladders Right Hand-Side (AISI316) for MUF315 (Flange)	1	10,900.00
2	21830510455	03016210	Ladders Right Hand-Side (AISI316) for MUF415 (Flange)	1	11,400.00
2	21830510460	03016211	Ladders Right Hand-Side (AISI316) for MUF515 (Flange)	1	12,300.00
3	21830510085	03016046	Cover	2	600.00
4	21830510090	89071801	M8*50 Screw with Washer & Nut for Flange	8	250.00
5*	21830510095	89070102	Ladders Stainless Steel Step (AISI304)	*	2,200.00
5*	201830510100	89070105	Ladders Stainless Steel Step (AISI316)	*	2,700.00
5*	21830510105	01051173	Ladders Plastic Step	*	1,100.00
5*	21830510300	89070107	Ladders Stainless Steel Step (AISI316) with Anti-Slippery Pad	*	3,200.00
5*	21830510110	89070108	Ladders Stainless Steel Step (AISI304) with Anti-Slippery Pad	*	1,500.00
6	21830510115	02141006	Anti-Slippery Pad	*	130.00
7	21830510120	112000069	M8*35 Screw with Washer for Step (AISI304)	*	130.00
7	21830510125	112010126	M8*35 Screw with Washer for Step (AISI316)	*	400.00
8	21830510130	89070104	Cap	2	250.00
9	21830510465	03016085	Ladders Left Hand-Side (AISI304) for NMU215	1	6,000.00
9	21830510470	03016086	Ladders Left Hand-Side (AISI304) for NMU315	1	6,500.00
9	21830510475	03016087	Ladders Left Hand-Side (AISI304) for NMU415	1	7,100.00
9	21830510480	03016088	Ladders Left Hand-Side (AISI304) for NMU515	1	7,700.00
9	21830510485	03016172	Ladders Left Hand-Side (AISI316) for NMU215	1	8,300.00
9	21830510490	03016173	Ladders Left Hand-Side (AISI316) for NMU315	1	9,100.00
9	21830510495	03016174	Ladders Left Hand-Side (AISI316) for NMU415	1	9,900.00
9	21830510500	03016175	Ladders Left Hand-Side (AISI316) for NMU515	1	11,000.00
10	21830510505	03016089	Ladders Right Hand-Side (AISI304) for NMU215	1	6,000.00
10	21830510510	03016090	Ladders Right Hand-Side (AISI304) for NMU315	1	6,500.00
10	21830510515	03016091	Ladders Right Hand-Side (AISI304) for NMU415	1	7,100.00

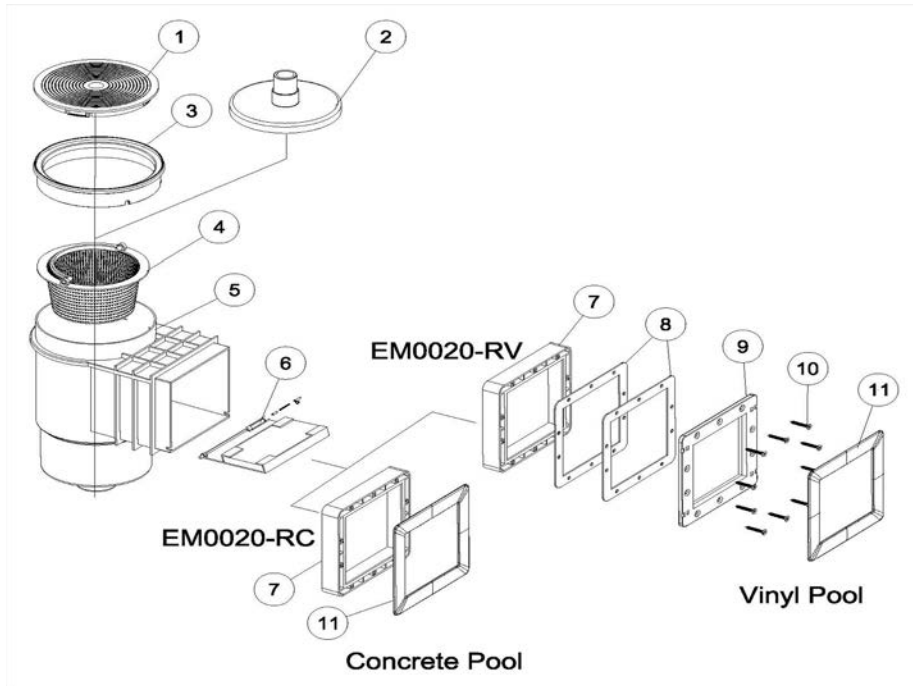
10	21830510520	03016092	Ladders Right Hand-Side (AISI304) for NMU515	1	7,700.00
10	21830510525	03016176	Ladders Right Hand-Side (AISI316) for NMU215	1	8,300.00
10	21830510530	03016177	Ladders Right Hand-Side (AISI316) for NMU315	1	9,100.00
10	21830510535	03016178	Ladders Right Hand-Side (AISI316) for NMU415	1	9,900.00
10	21830510540	03016179	Ladders Right Hand-Side (AISI316) for NMU515	1	11,000.00
11	21830510215	89070101	Anchor Type Fittings (Concrete Pool)	2	700.00

Notes:

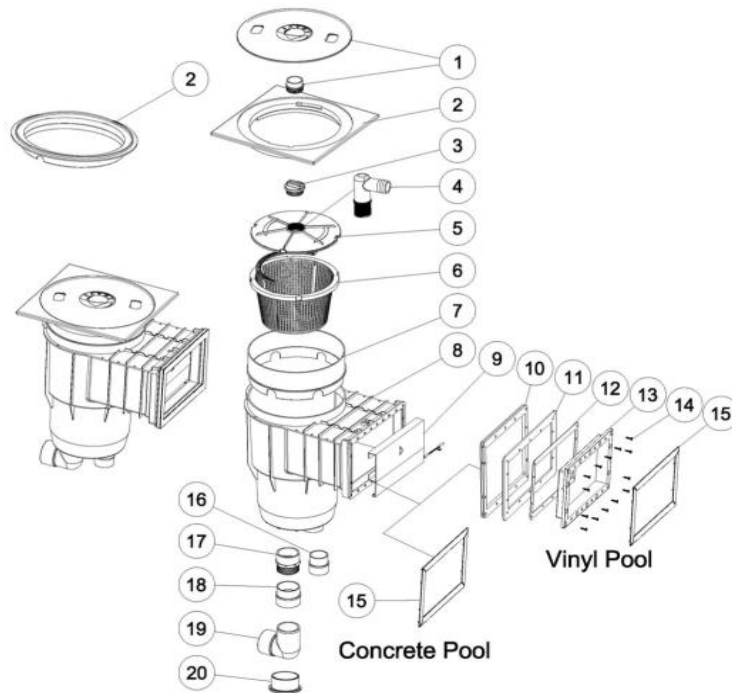
- NMU&MUF 215-S need 2pcs of Ladder Stainless Steel step and 4pcs of M8*35 Screw with Washer for Step (AISI304 or AISI316)
- NMU&MUF 315-S need 3pcs of Ladder Stainless Steel step and 6pcs of M8*35 Screw with Washer for Step (AISI304 or AISI316)
- NMU&MUF 415-S need 4pcs of Ladder Stainless Steel step and 8pcs of M8*35 Screw with Washer for Step (AISI304 or AISI316)
- NMU&MUF 515-S need 5pcs of Ladder Stainless Steel step and 10pcs of M8*35 Screw with Washer for Step (AISI304 or AISI316)
- NMU&MUF 215-SR need 2pcs of Ladder Stainless Steel Step with Anti-Slippery Pad and 4pcs of Anti-Slippery Pad and 4pcs of M8*35 Screw with Washer for Step (AISI304 or AISI316)
- NUM&MUF 315-SR need 3pcs of Ladder Stainless Steel Step with Anti-Slippery Pad and 6pcs of Anti-Slippery Pad and 6pcs of M8*35 Screw with Washer for Step (AISI304 or AISI316)
- NUM&MUF 415-SR need 4pcs of Ladder Stainless Steel Step with Anti-Slippery Pad and 8pcs of Anti-Slippery Pad and 8pcs of M8*35 Screw with Washer for Step (AISI304 or AISI316)
- NUM&MUF 515-SR need 5pcs of Ladder Stainless Steel Step with Anti-Slippery Pad and 10pcs of Anti-Slippery Pad and 10pcs of M8*35 Screw with Washer for Step (AISI304 or AISI316)
- NUM&MUF 215-P need 2pcs of Ladder Plastic Step and 4pcs of M8*35 Screw with Washer for Step (AISI304 or AISI316)
- NUM&MUF 315-P need 3pcs of Ladder Plastic Step and 6pcs of M8*35 Screw with Washer for Step (AISI304 or AISI316)
- NUM&MUF 415-P need 4pcs of Ladder Plastic Step and 8pcs of M8*35 Screw with Washer for Step (AISI304 or AISI316)
- NUM&MUF 515-P need 5pcs of Ladder Plastic Step and 10pcs of M8*35 Screw with Washer for Step (AISI304 or AISI316)



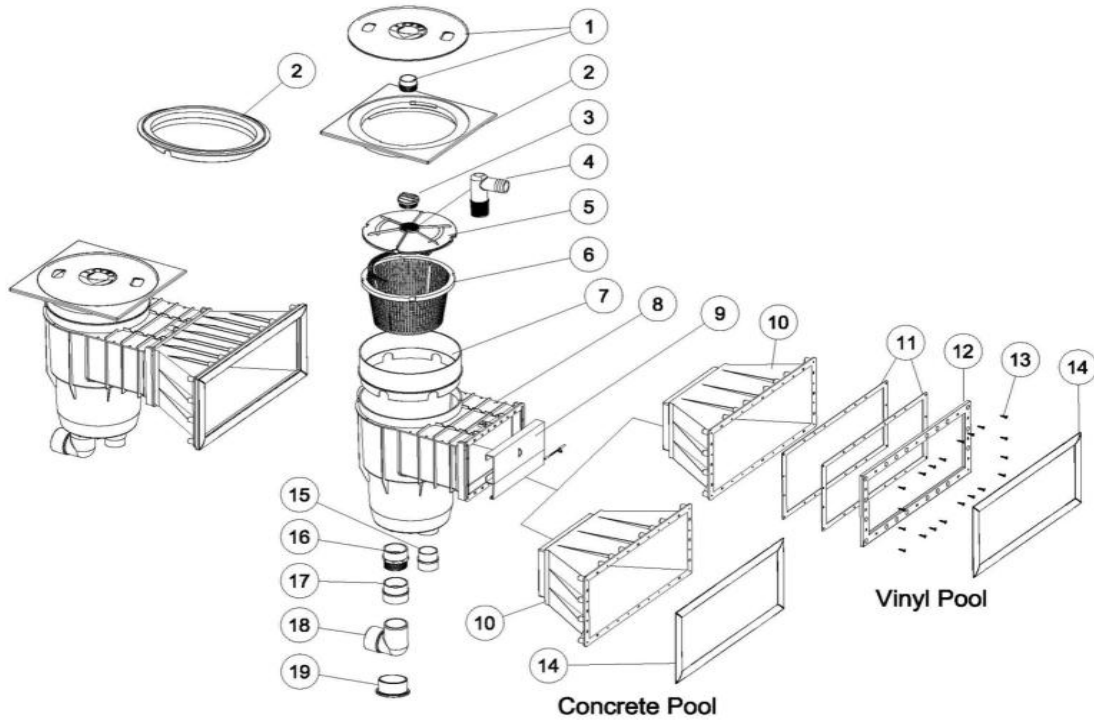
KEY NO.	POOLSPA CODES	PART NO.	DESCRIPTIONS	PIECE (S) REQUIRED	RETAIL PRICE 2022
1	21910510385	570443610	Cover / Lid	1	400.00
2	21910510010	01051041	Vac Plate	1	250.00
3	21910510390	570223610	Ring Seat Only	1	250.00
4	21910510020	89150101	Basket with Plastic Handle	1	250.00
5	21910510025	01051042	EM0010 & EM0020 Skimmers Body A	1	1,800.00
6	21910510030	89150102	Weir Gate	1	250.00
7	21910510035	01051047	EM0010 Standard Skimmer Body Small	1	500.00
8	21910510040	02021042	Gasket for EM0010 Skimmer with Vinyl Pool	2	400.00
9	21910510045	01051048	Frame for EM0010 Skimmer with Vinyl Pool	1	400.00
10	21910510050	03011300	M5.5 X 35 AISI316 Screws for Vinyl Pool	10	70.00
11	21910510055	01051049	EM0010 Standard Skimmer Face Plate	1	250.00



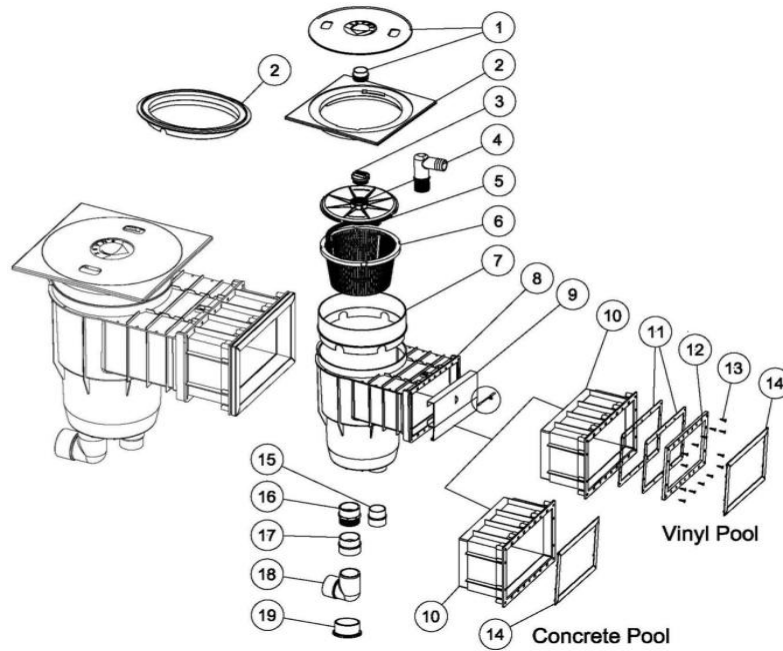
KEY NO.	POOLSPA CODES	PART NO.	DESCRIPTIONS	PIECE (S) REQUIRED	RETAIL PRICE 2022
1	21910510385	570443610	Cover / Lid	1	400.00
2	21910510010	01051041	Vac Plate	1	250.00
3	21910510390	570223610	Ring Seat Only	1	250.00
4	21910510020	89150101	Basket with Plastic Handle	1	250.00
5	21910510025	01051042	EM0010 & EM0020 Skimmers Body A	1	1,800.00
6	21910510030	89150102	Weir Gate	1	250.00
7	21910510060	01051044	EM0020 Skimmers Body B	1	1,300.00
8	21910510065	02051005	Gasket for EM0020 Skimmer for Vinyl Pool	2	600.00
9	21910510070	01051045	Gasket for EM0020 Skimmer for Vinyl Pool	1	600.00
10	21910510050	03011300	M5.5 x 35 AISI316 Screws for Vinyl Pool	18	70.00
11	21910510075	01051046	Frame for EM0020 Skimmer for Vinyl Pool	1	250.00



KEY NO.	POOLSPA CODES	PART NO.	DESCRIPTIONS	PIECE (S) REQUIRED	RETAIL PRICE 2022
1	21910510080	89150509	Lid (Blank)	1	1,300.00
1	21910510085	89150509	Lid (Emaux)	1	1,300.00
2	21910510090	01211035	Round Dress Ring	1	1,550.00
2	21910510095	01211036	Square Dress Ring	1	1,550.00
3	20650510305	01051023	1.5" Plug	1	130.00
4	21910510100	01050007	90° Vacuum Hose Connector	1	250.00
5	21910510105	01051180	Vacuum Plate	1	700.00
6	21910510110	89150501	Basket with Plastic Handle	1	700.00
7	21910510115	01050004	Extension Ring	1	700.00
8	21910510120	89150503	EM0030 & EM0040 Skimmers Body	1	4,300.00
9	21910510125	89150502	Weir Door	1	600.00
10	21910510130	02021077	Gasket	1	600.00
11	21910510135	01051238	Wider flange	1	700.00
12	21910510140	02020021	Gasket for EM0030 Skimmer	1	600.00
13	21910510145	01051184	Frame for EM0030 Skimmer	1	600.00
14	21910510150	03011342	M5.5 x 42 AISI316 Screws	14	70.00
15	21910510155	01051185	EM0030/EM0050 Standard Skimmer Face Plate	1	600.00
16	21910510160	01170009	1.5" Union Converter (from Metric to Imperial)	1	130.00
17	21910510165	01170007	2.0" Threaded Union	1	250.00
18	21910510170	01170008	2.0" Union Converter (from Metric to Imperial)	1	130.00
19	21910510175	01170023	2.0" Elbow Union	1	600.00
20	21910510180	01013123	2.0" Plug	1	250.00



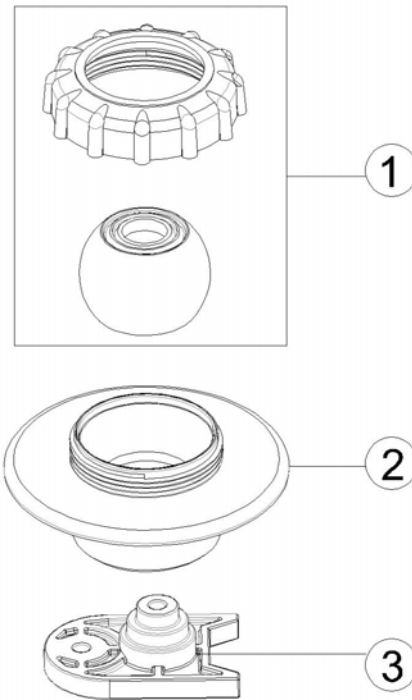
KEY NO.	POOLSPA CODES	PART NO.	DESCRIPTIONS	PIECE (S) REQUIRED	RETAIL PRICE 2022
1	21910510080	89150509	Lid (Blank)	1	1,300.00
1	21910510085	89150509	Lid (Emaux)	1	1,300.00
2	21910510090	01211035	Round Dress Ring	1	1,600.00
2	21910510095	01211036	Square Dress Ring	1	1,700.00
3	20650510305	01051023	1.5" Plug	1	130.00
4	21910510100	01050007	90° Vacuum Hose Connector	1	250.00
5	21910510105	01051180	Vacuum Plate	1	700.00
6	21910510110	89150501	Basket with Plastic Handle	1	700.00
7	21910510115	01050004	Extension Ring	1	700.00
8	21910510120	89150503	EM0030 & EM0040 Skimmers Body	1	4,300.00
9	21910510125	89150502	Weir Door	1	600.00
10	21910510185	01051183	EM0040 Wide Mouth Extension	1	2,300.00
11	21910510190	02020022	Gasket for EM0040 Skimmer	2	800.00
12	21910510195	01051187	Frame for EM0040 Skimmer	1	700.00
13	21910510050	03011300	M5.5 x 35 AISI316 Screws	20	70.00
14	21910510200	01051188	EM0040 Standard Skimmer Face Plate	1	600.00
15	21910510160	01170009	1.5" Union Convertor (from Metric to Imperial)	1	130.00
16	21910510165	01170007	2.0" Threaded Union	1	250.00
17	21910510170	01170008	2.0" Union Convertor (from Metric to Imperial)	1	130.00
18	21910510175	01170023	2.0" Elbow Union	1	600.00
19	21910510180	01013123	2.0" Plug	1	250.00



KEY NO.	POOLSPA CODES	PART NO.	DESCRIPTIONS	PIECE (S) REQUIRED	RETAIL PRICE 2022
1	21910510080	89150509	Lid (Blank)	1	1,300.00
1	21910510085	89150509	Lid (Emaux)	1	1,300.00
2	21910510090	01211035	Round Dress Ring	1	1,550.00
2	21910510095	01211036	Square Dress Ring	1	1,550.00
3	20650510305	01051023	1.5" Plug	1	130.00
4	21910510100	01050007	90° Vacuum Hose Connector	1	250.00
5	21910510105	01051180	Vacuum Plate	1	700.00
6	21910510110	89150501	Basket with Plastic Handle	1	700.00
7	21910510115	01050004	Extension Ring	1	700.00
8	21910510120	89150503	EM0030 & EM0040 & EM0050 Skimmers Body	1	4,200.00
9	21910510125	89150502	Weir Door	1	600.00
10	21910510205	01050023	Extension Throat for Vinyl pool	1	600.00
10	21910510210	01050032	Extension Throat for Concrete Pool	1	700.00
11	21910510140	02020021	Gasket	2	600.00
12	21910510145	01051184	Frame	1	600.00
13	21910510050	03011300	M5.5 x 35 AISI316 Screws	14	70.00
14	21910510155	01051185	Face Plate	1	600.00
15	21910510160	01170009	1.5" Union Converter (from Metric to Imperial)	1	250.00
16	21910510165	01170007	2.0" Threaded Union	1	250.00
17	21910510170	01170008	2.0" Union Converter (from Metric to Imperial)	1	130.00
18	21910510175	01170023	2.0" Elbow Union	1	500.00
19	21910510180	01013123	2.0" Plug	1	230.00

Parts of EM4408

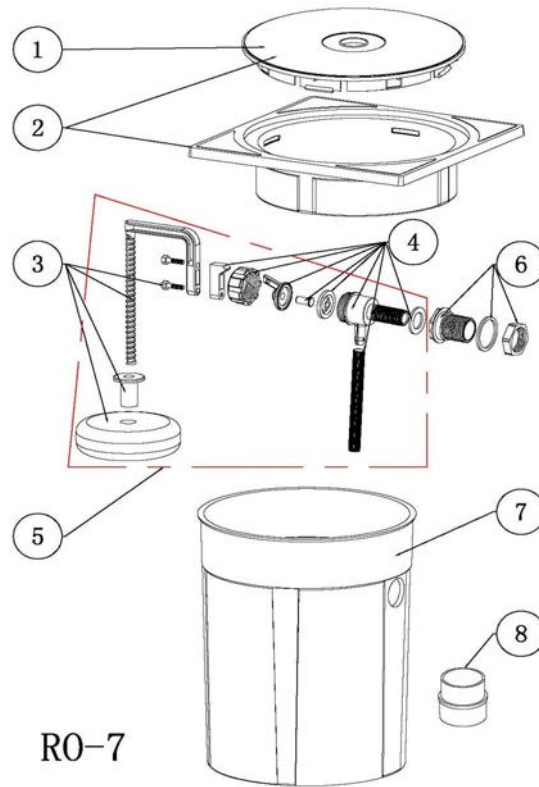
[Back to Table of Content](#)



KEY NO.	POOLSPA CODES	PART NO.	DESCRIPTIONS	PIECE (S) REQUIRED	RETAIL PRICE 2022
1	21910510395	E161206	Facering and eyeball	1	90.00
2	21910510400	01050181	Body GB32	1	100.00
2	21910510405	01050220	Body BS 1"	1	100.00
3	21910510410	01014172	Nut and eyeball regulator	1	70.00

Parts of RO-7

[Back to Table of Content](#)

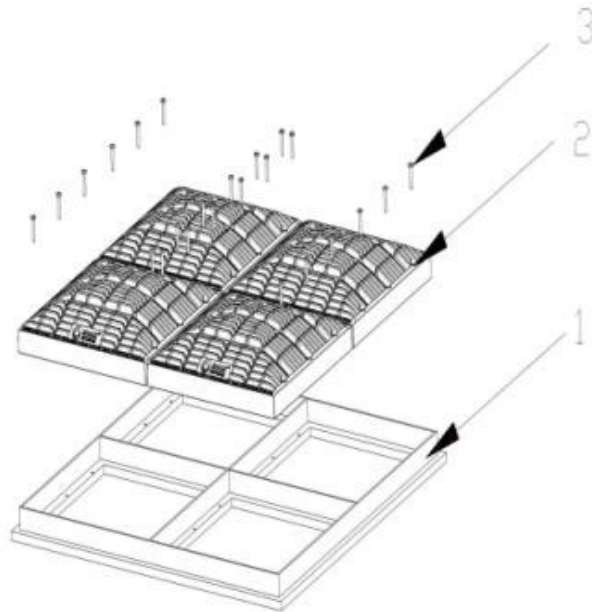


RO-7

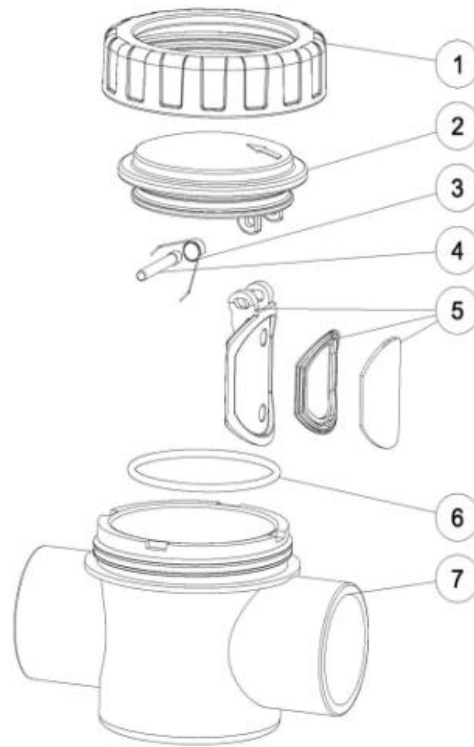
KEY NO.	POOLSPA CODES	PART NO.	DESCRIPTIONS	PIECE (S) REQUIRED	RETAIL PRICE 2022
1	21910510385	01050158	Circular skimmer lid	1	400.00
2	21910510390	89150708	Frame with circular cover	1	700.00
3	21910510395	89150709	Level regulator floatarm assmebly	1	250.00
4	21910510400	89150710	Adjustable nozzle	1	600.00
5	21910510405	89150711	Valve assembly	1	700.00
6	21910510410	89150712	Fixation valve unit	1	130.00
7	21910510415	01050175	Level regulator	1	800.00
8	21910510160	01170009	1.5" Union Converter (from Metric to Imperial)	1	130.00

Parts of EM2816

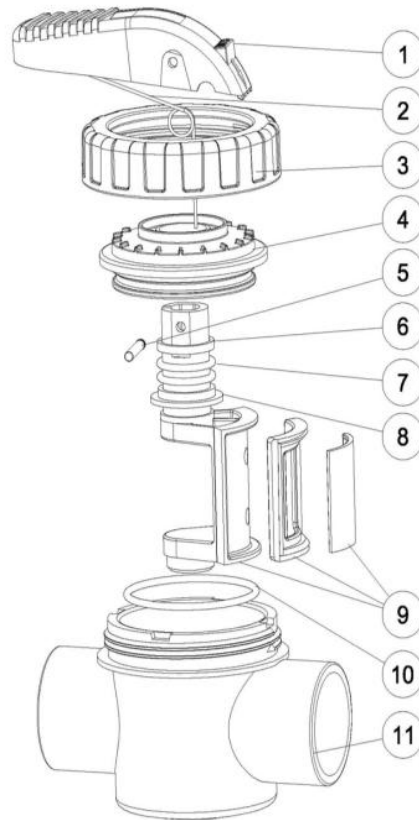
[Back to Table of Content](#)



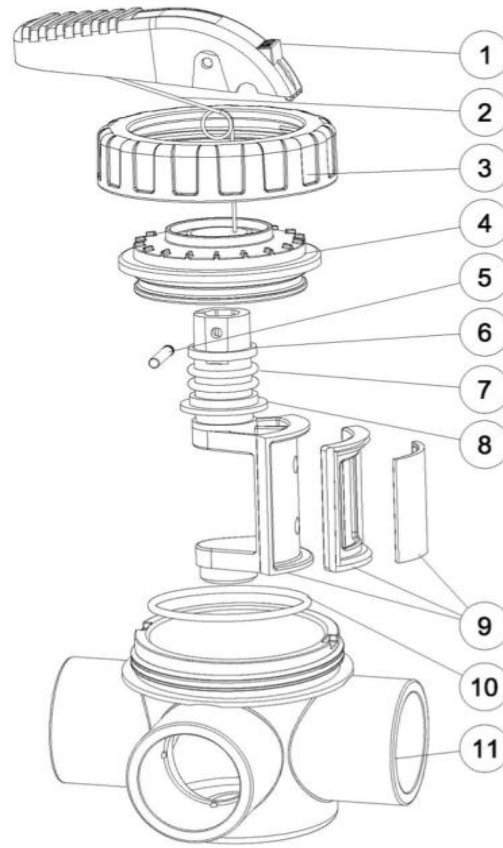
KEY NO.	POOLSPA CODES	PART NO.	DESCRIPTIONS	PIECE (S) REQUIRED	RETAIL PRICE 2022
1	21910510255	03018166	Component Frame	1	14,000.00
2	21910510260	01050060	Lid	1	1,300.00
3	21910510265	03011161	M4X25 Screw	24	120.00



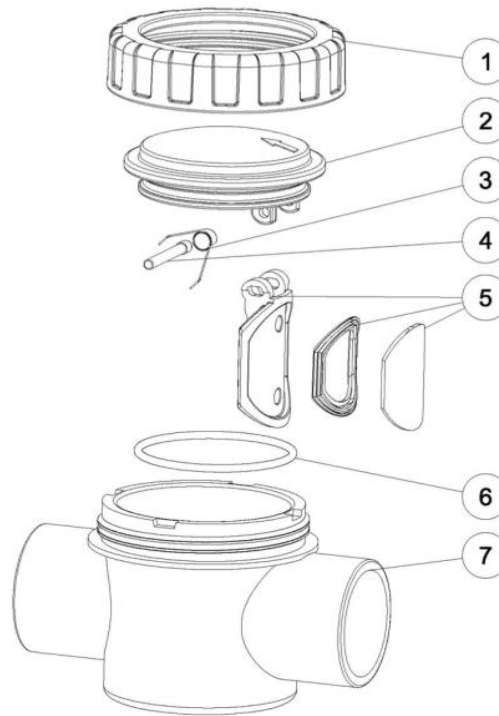
KEY NO.	POOLSPA CODES	PART NO.	DESCRIPTIONS	PIECE (S) REQUIRED	RETAIL PRICE 2022
1	22120510020	01021123	Nut	1	130.00
2	22120510120	01040002	Cover	1	250.00
3	22120510125	03014021	Spring	1	70.00
4	22120510130	01021119	Shaft	1	70.00
5	22120510135	89460302	Flapper assembly	1	130.00
6	22120510055	02011204	O-Ring	1	70.00
7	22120510060	01173009	1.5 port valve housing (Metric)	1	700.00
7	22120510065	01170052	1.5 port valve housing (Imperial)	1	700.00



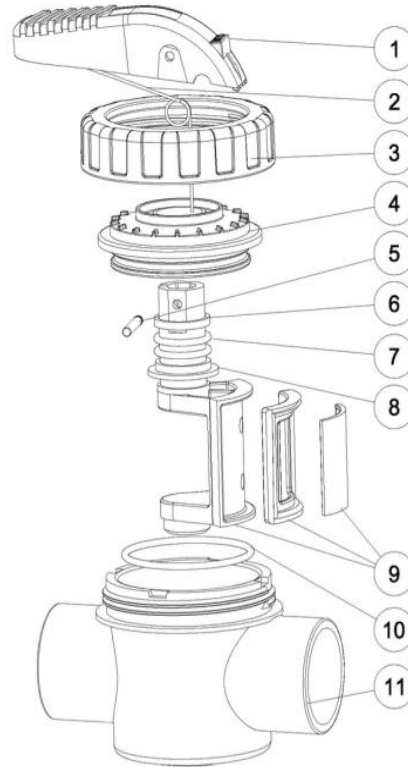
KEY NO.	POOLSPA CODES	PART NO.	DESCRIPTIONS	PIECE (S) REQUIRED	RETAIL PRICE 2022
1	22120510005	01010005	Valve Handle	1	130.00
1	22120510010	01010028	Valve Handle (Blank)	1	130.00
2	22120510015	03014015	Spring	1	120.00
3	22120510020	01021123	Nut	1	230.00
4	22120510025	01010001	Cover for Valve	1	230.00
5	22120510030	03018148	Shaft	1	120.00
6	22120510035	01181056	Anchor ring	1	70.00
7	22120510040	02010048	O-Ring for valve Rotor	2	120.00
8	22120510045	01181057	Anchor plate	1	70.00
9	22120510050	89460305	Diverter assembly	1	250.00
10	22120510055	02011204	O-ring	1	120.00
11	22120510060	01173009	1.5 port valve housing (Metric)	1	630.00
11	22120510065	01170052	1.5 port valve housing (Imperial)	1	630.00



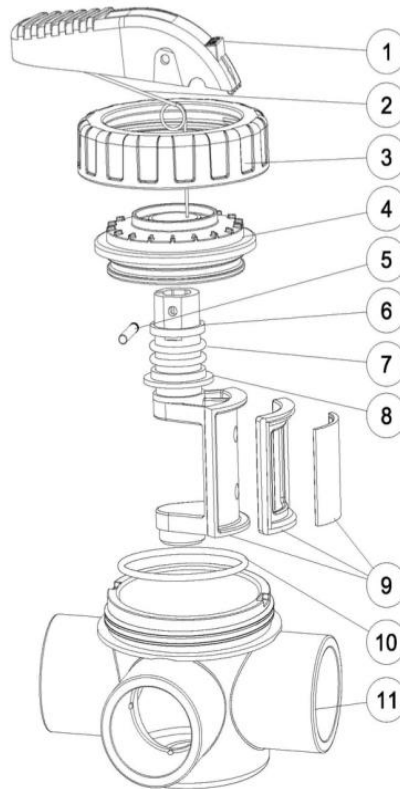
KEY NO.	POOLSPA CODES	PART NO.	DESCRIPTIONS	PIECE (S) REQUIRED	RETAIL PRICE 2022
1	22120510005	01010005	Valve Handle	1	130.00
1	22120510010	01010028	Valve Handle (Blank)	1	130.00
2	22120510015	03014015	Spring	1	70.00
3	22120510020	01021123	Nut	1	130.00
4	22120510025	01010001	Cover for Valve	1	130.00
5	22120510030	03018148	Shaft	1	70.00
6	22120510035	01181056	Anchor Ring	1	70.00
7	22120510040	02010048	O-Ring for valve rotor	2	130.00
8	22120510045	01181057	Anchor Plate	1	70.00
9	22120510050	89460305	Diverter assembly	1	250.00
10	22120510055	02011204	O-ring	1	70.00
11	22120510070	01173010	1.5 port valve housing (Metric)	1	700.00
11	22120510075	01170054	1.5 port valve housing (Imperial)	1	700.00



KEY NO.	POOLSPA CODES	PART NO.	DESCRIPTIONS	PIECE (S) REQUIRED	RETAIL PRICE 2022
1	22120510080	01021124	Nut	1	250.00
2	22120510140	01040001	Cover for Valve	1	250.00
3	22120510145	03014021	Spring	1	70.00
4	22120510130	01021119	Shaft	1	70.00
5	22120510150	89460301	Flapper assembly	1	130.00
6	22120510155	02011202	O-ring	1	130.00
7	22120510160	01173011	2 port valve housing (Metric)	1	800.00
7	22120510165	01170050	2 port valve housing (Imperial)	1	800.00



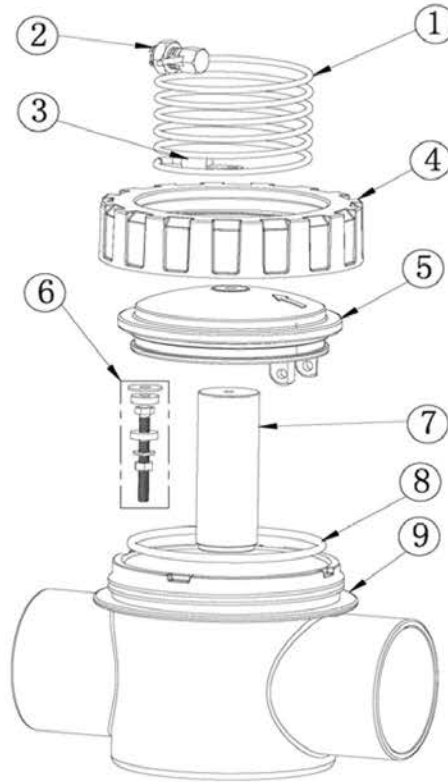
KEY NO.	POOLSPA CODES	PART NO.	DESCRIPTIONS	PIECE (S) REQUIRED	RETAIL PRICE 2022
1	22120510005	01010005	Valve Handle	1	130.00
1	22120510010	01010028	Valve Handle (Blank)	1	130.00
2	22120510015	03014015	Spring	1	70.00
3	22120510080	01021124	Nut	1	250.00
4	22120510085	01010002	Cover for Valve	1	250.00
5	22120510030	03018148	Shaft	1	70.00
6	22120510035	01181056	anchor ring	1	70.00
7	22120510040	02010048	O-Ring for Valve Rotor	2	130.00
8	22120510045	01181057	anchor plate	1	70.00
9	22120510090	89460303	Diverter assembly	1	400.00
10	22120510095	02011202	O-ring	1	70.00
11	22120510100	01173011	2 port valve housing (Metric)	1	800.00
11	22120510105	01170050	2 port valve housing (Imperial)	1	800.00



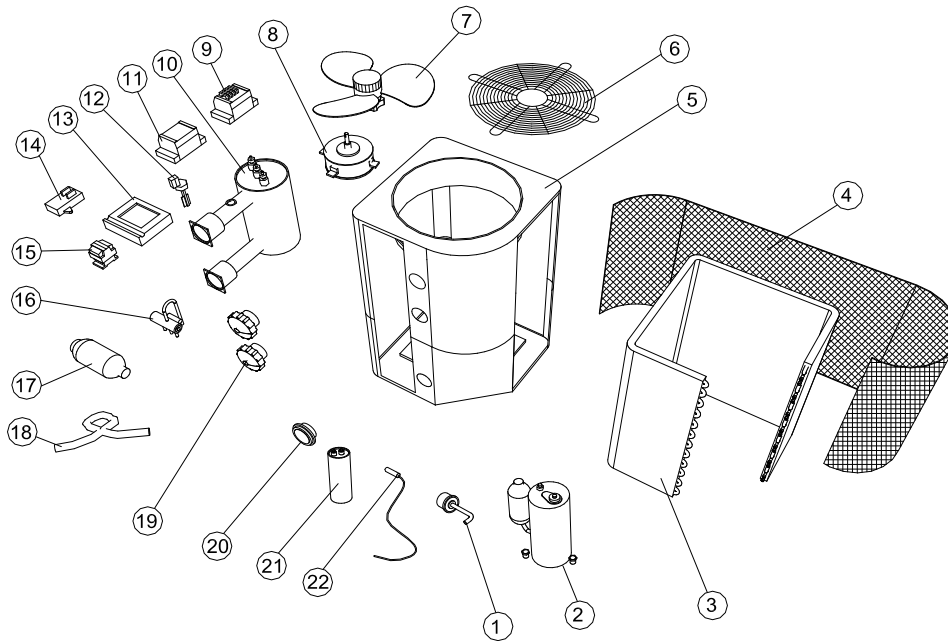
KEY NO.	POOLSPA CODES	PART NO.	DESCRIPTIONS	PIECE (S) REQUIRED	RETAIL PRICE 2022
1	22120510005	01010005	Valve Handle	1	130.00
1	22120510010	01010028	Valve Handle (Blank)	1	130.00
2	22120510015	03014015	Spring	1	70.00
3	22120510080	01021124	Nut	1	130.00
4	22120510085	01010002	Cover for Valve	1	130.00
5	22120510030	03018148	Shaft	1	70.00
6	22120510035	01181056	anchor ring	1	70.00
7	22120510040	02010048	O-Ring for valve rotor	2	130.00
8	22120510045	01181057	anchor plate	1	70.00
9	22120510090	89460303	Diverter assembly	1	250.00
10	22120510095	02011202	O-ring	1	70.00
11	22120510110	01173012	2 port valve housing (Metric)	1	700.00
11	22120510115	01170051	2 port valve housing (Imperial)	1	700.00

Parts of Sacrificial Anode Shield Model : DF50-1

[Back to Table of Content](#)



KEY NO.	POOLSPA CODES	PART NO.	DESCRIPTIONS	PIECE (S) REQUIRED	RETAIL PRICE 2022
1	22120510185	112030012	8 AWG Copper Wire	1	490.00
2	22120510190	112030011	Copper Bolt Clamp	1	590.00
3	22120510195	106391490	Terminal Connector	1	120.00
4	22120510200	570523486	Nut	1	290.00
5	22120510205	570306906	Transparent Cover	1	390.00
6	22120510210	E162701	M5 Screw Set	1	490.00
7	22120510215	112080001	Zinc Alloy 78mmx30mm	1	1,590.00
8	22120510220	111002375	O-ring	1	80.00
9	22120510225	570383479	2 port valve housing (Metric)	1	1,100.00
9	22120510230	570384040	2 port valve housing (Imperial)	1	1,100.00



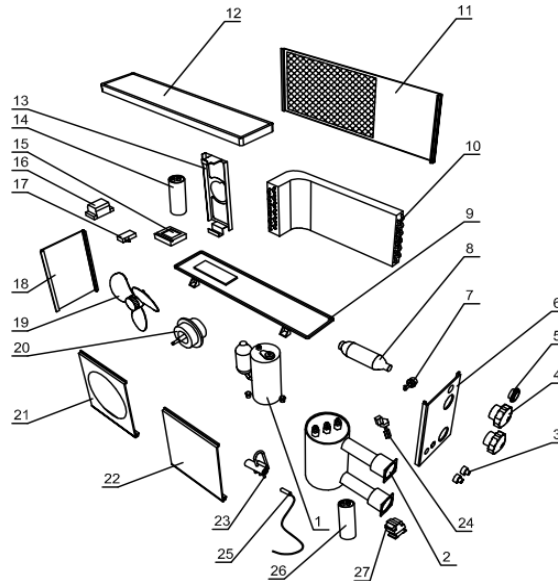
KEY NO.	POOLSPA CODES	PART NO.	DESCRIPTIONS	PIECE (S) REQUIRED	RETAIL PRICE 2022
1	21720510060	87990271	High Pressure Switch	1	1,200.00
1	21720510065	87990273	Low Pressure Switch	1	1,200.00
2	21720510205	87990256	Compressor (Sanyo C-SBN263H8A) for HP14A	1	105,000.00
2	21720510210	87990244	Compressor (Sanyo C-SBN303H8A) for HP17A	1	106,000.00
2	21720510215	87990241	Compressor (Sanyo C-SBN373H8A) for HP21A	1	109,000.00
2	21720510220	87990238	Compressor (Sanyo C-SBN453H8A) for HP26A	1	122,000.00
2	21720510225	87990233	Compressor (Sanyo C-SBN303H8A) for HP35A	2	106,000.00
2	21720510230	87990223	Compressor (Sanyo C-SBN453H8A) for HP50A	2	122,000.00
6	21720510325	114276818	Fan Mesh (HP14A - HP26A)		4,800.00
7	21720510235	87990259	Fan Leave - Type HP14A HP17A HP21A HP26A	1	4,900.00
7	21720510240	87990235	Fan Leave - Type HP35A HP50A	2	4,900.00
8	21720510245	87990261	Fan Motor YDK-160-6 (10000-DJ13) HP14A HP17A HP21A HP26A	1	20,900.00
9	21720510255	87990270	Chiller-300 (Please specify the Barcode)	1	20,500.00
10	21720510260	87990257	Heat Exchanger (HP14A)	1	84,000.00
10	21720510265	87990245	Heat Exchanger (HP17A)	1	92,000.00
10	21720510270	87990243	Heat Exchanger (HP21A)	1	97,000.00
10	21720510275	87990239	Heat Exchanger (HP26A)	1	106,000.00
10	21720510280	87990234	Heat Exchanger (HP35A)	2	113,000.00
10	21720510285	87990224	Heat Exchanger (HP50A)	2	106,000.00
11	21720510290	87990240	Phase Sequence Protector YH5562 (HP26A HP35A HP50A)	1	24,000.00
12	21720510180	87990268	Water Flow Switch	1	3,900.00
13	21720510330	114213306	Controller Panel (PCB Board)	1	9,900.00
13	21720510335	114215897	LCD Controller Panel	1	7,700.00
13	21720510340	3158500001	Plastic Case for LCD Controller Panel	1	2,700.00
14	21720510295	87990260	Fan Motor Capacitor 10000-DK19 6UF (HP14A-26A 1 pc , HP35A-50A, 2pc)	1	500.00
15	21720510200	87990255	Single Phase AC Contactor 10000-KD46 for HP14A/HP17A/21A	1	3,000.00
15	21720510300	87990263	3 Phases AC Contactor 10000-DK47 for HP21A/HP26A/HP50A	1	3,900.00
16	21720510305	87990274	4-Way Valve (Please specify the Barcode)	1	9,800.00
17	21720510310	87990209	Filter	1	500.00
19	21720510050	87990269	Water Connection	2	1,500.00
20	21720510055	87990258	Pressure Gauge (FOR COMPRESSOR)	1	2,700.00
21	21720510315	87990262	Compressor Capacitor 10000-DK34 60UF for HP14A / HP17A / HP21A	1	3,600.00
22	21720510185	87990266	Temperature Sensor (Copper) (SINGLE PHASE HP14A , HP17A , HP21A)	4	700.00
22	21720510185	87990266	Temperature Sensor (Copper) (THREE PHASE HP21A,HP26A)	6	700.00
22	21720510185	87990266	Temperature Sensor (Copper) for HP35A / HP50A	8	700.00
22	21720510190	87990267	Temperature Sensor (Plastic)	1	700.00

****Key No. 3 , 4 , 5 , 18 are not available

****LCD Controller Panel , Controller Panel(PCB BOARD) for Australia & New Zealand , please check with factory

Parts of HP-A Models: HP5.6B / HP7.8B / HP9.5B / HP14B1

[Back to Table of Content](#)



Ver: 210315

KEY NO.	POOLSPA CODES	PART NO.	DESCRIPTIONS	PIECE (S) REQUIRED	RETAIL PRICE 2022
1	21720510005	87990226	Compressor HICHLY CG633GB1-C for HP5.6B	1	42,000.00
1	21720510010	87990218	Compressor HICHLY CHX33SC4-U for HP7.8B	1	45,000.00
1	21720510015	87990211	Compressor HICHLY CHV33YC6-U for HP9.5B	1	58,000.00
1	21720510020	87990247	Compressor Sanyo C-SBN261H5A for HP14B1	1	127,000.00
2	21720510025	87990227	Heat Exchanger (HP5.6B)	1	34,000.00
2	21720510030	87990219	Heat Exchanger (HP7.8B)	1	39,000.00
2	21720510035	87990212	Heat Exchanger (HP9.5B)	1	46,000.00
2	21720510040	87990248	Heat Exchanger (HP14B1)	1	66,000.00
3	21720510045	87990272	Wire Cover	1	200.00
4	21720510050	87990269	Water Connection	2	1,500.00
5	21720510055	87990258	Pressure Gauge (FOR COMPRESSOR)	1	2,700.00
7	21720510060	87990271	High Pressure Switch	1	1,200.00
7	21720510065	87990273	Low Pressure Switch	1	1,200.00
14	21720510070	87990225	Compressor Capacitor 35UF , 5.6B	1	2,000.00
14	21720510075	87990217	Compressor Capacitor 50UF , 7.8B	1	2,400.00
14	21720510080	87990210	Compressor Capacitor 55UF ,9.5B	1	3,000.00
14	21720510085	87990246	Compressor Capacitor 60UF , 14B	1	3,600.00
15	21720510090	87990265	Controller Panel (PCB Board)	1	-
15	21720510335	114215897	LCD Controller Panel	1	7,700.00
15	21720510340	3158500001	Plastic Case for LCD Controller Panel	1	2,700.00
15	21720510345	114266192	Mechanical switch (For Series B2)	1	2,900.00
9	21720510095	87990232	Controller for HP5.6B / HP7.8B / HP9.5B	1	16,000.00
16	21720510100	87990251	CHILLER 300 for HP5.6 , 7.8 , 9.5 ,14B1	1	20,500.00
17	21720510105	87990229	Fan motor Capacitor 10000-DK29 2UF (HP5.6-7.8B)	1	300.00
17	21720510110	87990214	Fan motor Capacitor 10000-DK28 3UF (HP9.5B)	1	300.00
17	21720510115	87990252	Fan motor Capacitor 10000-DK26 4UF (HP14B1)	1	400.00
19	21720510120	87990230	Fan Leave (HP5.6B)	1	900.00
19	21720510125	87990221	Fan Leave (HP7.8B)	1	900.00
19	21720510130	87990215	Fan Leave (HP9.5B)	1	1,000.00
19	21720510135	87990253	Fan Leave (HP14B1)	1	2,000.00
20	21720510140	87990231	Fan Motor (HP5.6B)	1	6,500.00
20	21720510145	87990222	Fan Motor (HP7.8B)	1	5,600.00
20	21720510150	87990216	Fan Motor (HP9.5B)	1	8,000.00
20	21720510155	87990254	Fan Motor (HP14B1)	1	10,900.00
23	21720510160	87990228	4-Way Valve (HP5.6B)	1	3,800.00
23	21720510165	87990220	4-Way Valve (HP7.8B)	1	4,600.00
23	21720510170	87990213	4-Way Valve (HP9.5B)	1	5,300.00
23	21720510175	87990249	4-Way Valve (HP14B1)	1	9,800.00
24	21720510180	87990268	Water Flow Switch	1	3,900.00
25	21720510185	87990266	Temperature Sensor (Copper)	3	700.00
25	21720510190	87990267	Temperature Sensor (Plastic)	1	700.00
26	21720510195	87990250	Running Capacitor for HP14B1	1	3,900.00
27	21720510200	87990255	AC Contactor HCC-1NU04AA for HP14B1	1	3,000.00
28	21720510350	114276819	Fan Mesh (Please specify the Barcode)	1	4,000.00

**** Key No. 6, 8, 9, 10, 11, 12, 13, 18, 21, 22 are not available