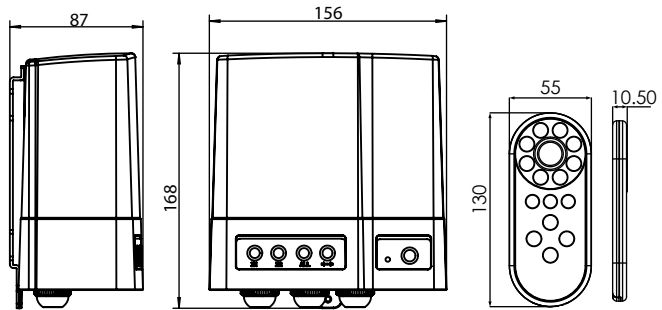


ColorTouch Light Control Box with Remote Controller

Provides direct light color change and two zones synchronized color control



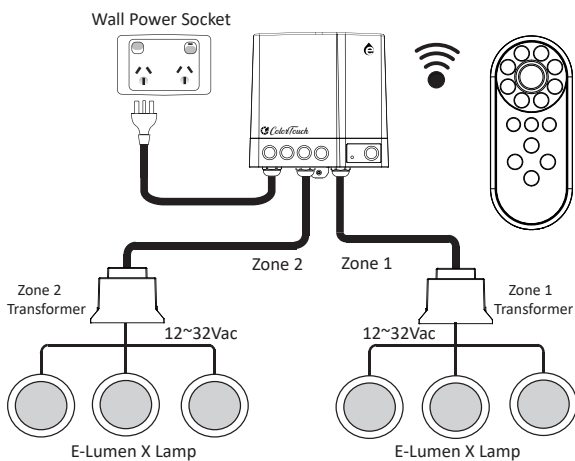
Code	Description
9110901	ColorTouch Control Box 220V AC 2*300W 50/60Hz
9110902	ColorTouch Control Box 110V AC 2*300W 50/60Hz

Features

1. By using the simple two-core wires and 12~32Vac operation system, ColorTouch system becomes an ideal choice for most of the pool retrofit and refurbishment projects.
2. One-touch 7 individual colors, auto-color changing, and 3-level brightness dimmer selections by using the remote-controller which features compact, user-friendly design and water resistant.
3. 50m wireless remote-control distance in open area.



ColorTouch System controls color changes of two pools at the same time



Two zones synchronized color control

1. ColorTouch control system can control different mode of lighting in two zones at the same time.
2. Each zone can support pool light fixtures with maximum voltage of 300VA.
3. Simply one-touch reset button is available to bring two zones into line instantly.